

LOADER BACKHOES AND TRACTOR LOADER

B95C | B95C TC | B95C LR | B110C | U80C



C SERIES LOADER BACKHOES – BUILD MORE TIME INTO

New C Series loader backhoes with Tier 4 Final certified engines deliver the power and torque needed so you can dig, load, trench or push faster, while reducing the impact on the environment.

MAINTENANCE-FREE BRAKES

Outboard wet disc brakes with separate Spring Applied Hydraulically Released (SAHR) parking brake provide enhanced control and significantly increased brake life. The “low effort” braking system allows the operator to apply stopping power with a minimum amount of force.

POWERSHUTTLE OR POWERSHIFT TRANSMISSION

Choose from our robust Power Shuttle and our advanced Powershift. Our reliable PowerShuttle transmission is easy to operate, with a right-hand gear shift lever and convenient FNR shuttle lever. Choose Powershift transmission for maximum operator comfort. Operators appreciate the convenience of the powershift transmission that shifts smoothly up or down through the gears automatically locating the correct gear for the conditions.



OUTSTANDING LOADER BUCKET BREAKOUT

By using a straight arm loader design, C series Loader backhoes deliver unmatched loader lift capacities and the loader bucket location on top of the loader frame produces exceptional bucket breakout forces.

FAST, COMPLETE SERVICE ACCESS

The tilt-forward hood and checkpoints that are grouped together reduce maintenance time so you can maximize uptime and profits.

INDUSTRY-LEADING COMFORT AND VISIBILITY

Comfortable operators are more productive operators, and the C Series cab is designed for maximum productivity with:

- Comfortable seating
- Greater visibility
- Ergonomic controls layout
- Available pilot controls for improved productivity and comfort
- Auto Glide Ride™ option with speed setting. Previously reserved for wheel loaders, this feature makes operation easier by helping to reduce spillage even when operating at increased speeds, and allows you to set the engagement speed.



A MODEL TO MATCH YOUR NEEDS

The C Series loader backhoe line-up includes the B95C, B95C LR (long reach), B95CTC (tool carrier) and B110C. There's sure to be a model that's the perfect match for your operation.

Model	Gross Horsepower hp (kW)	Base Unit Weight lbs (kg)	Loader SAE Heaped Capacity cu yd (m ³)
B95C	97 (72)	17,560 (7965)	1.1 (.88)
B95CTC	97 (72)	17,730 (8042)	1.3 (1.0)
B95C LR	97 (72)	18,525 (8402)	1.1 (.88)
B110C	110 (82)	18,525 (8402)	1.3 (1.0)

The B95C continues the New Holland tradition of superior power, performance and easy servicing. It's powered by a Tier 4 Final, emissions-certified diesel engine delivering 97 gross horsepower, and designed to save a minimum of 4% on fuel compared to previous models.



LONG REACH MODEL

The B95C LR combines the compact size of the B95C with the longer stick of the B110C to provide excellent dig depth, reach and fuel consumption.



TOOL CARRIER MODEL

The B95C TC combines the B95C's powerful backhoe with an advanced loader designed to multi-task. The standard quick coupler and self leveling loader make switching from bucket to forks a breeze.

At 110 gross horsepower the B110C delivers fast response and the power you need for loading, lifting, pushing, digging and trenching. The longer dipperstick as well as the highest reaching loader in the industry, combine with best in class lift capacity to make the B110C the top performer in whatever task you need it perform.

B95C TC



B110C



SUPERIOR DESIGN AND BUCKET BREAKOUT FORCES

MOVE THAT PILE

C Series loader backhoes feature a straight-arm loader linkage designed to incorporate a light weight straight arm loader to transfer loader bucket forces straight back to the main tractor frame. The straight arm loader gives New Holland unmatched lift capacity, bucket rotation and breakout force.



MATERIAL HANDLING CHAMP

The B95C Tool Carrier's curved loader arms deliver true mechanical self-leveling to the loader, both up and down. This makes it ideal for material handling and use with pallet forks. Combined with the standard mechanical or optional hydraulic quick coupler, this is the most versatile machine on the job site.



SUPERIOR BACKHOE DESIGN

Using the curved boom design of big excavators, this backhoe gives you big digging performance. With in-line cylinders, effort is reduced, visibility is better and the general digging performance is enhanced. Dual swing cylinders provide smooth movement for faster positioning of the arm over the trench and increases the stability of the machine. Choose from standard dipper or the "LR" (Long Reach) dipper for extended reach, depending on your needs. The HED (hydraulically extendable dipper) system (available with B95C & B110C) gives you the fine control needed for delicate operations when necessary. New Holland's Extendable Internal Stick vs. the Extendable Outer Stick of most manufacturers, puts less weight on the extension and affords easier maintenance.





BEST-IN-CLASS ACCESSIBILITY

- Tilting engine hood provides excellent ground-level access to the engine and service points
- The one-piece hood remains attached, unlike some competitive models with panels that are easy to lose
- Daily check and fill points are accessible from ground level and grouped together for time and cost reduction.

On the machine's left side, just above the fuel tank, you can easily reach:

- the hydraulic pressure check points
- steering circuit
- pilot control



ON-BOARD DIAGNOSIS

Rapid engine diagnosis is possible with the New Holland Electronic Service Tool.

NO SEPARATE BRAKE FLUID

Hydraulic oil is used as the brake fluid, so no need to use separate tank and no risk of using the wrong fluid.



PROTECTED BATTERY EASY TO REACH

The battery is located in the tool box on the right side, underneath the cab. By simply opening the door you have easy access to both the battery and the master switch.

WELCOME ON BOARD

ERGONOMIC CAB WITH EASY ACCESS

- Fully integrated loader control lever
- All loader and bucket controls are located on the joystick
- Adjustable comfortable armrest
- Standard suspension or optional air ride seats
- Unbeatable comfort on rough terrain and on the road
- Excellent ventilation with partial or full opening of both front and rear side windows
- Easy cleaning due to removable floor covering and flat cab floor
- Standard heater with optional air conditioning





TOTAL CONTROL AT YOUR FINGERTIPS

- Industry leading fully adjustable joystick control position (Pilot controls)
- Quiet working environment: cab interior 77 dB / exterior 102 dB
- Automatic “up” stabilizers
- One touch deceleration
- Easy to read gauges
- Ultra narrow boom for enhanced visibility
- All side windows open for excellent ventilation and easy communication

LOWER EMISSIONS, LESS FUEL

CLEAN ENERGY

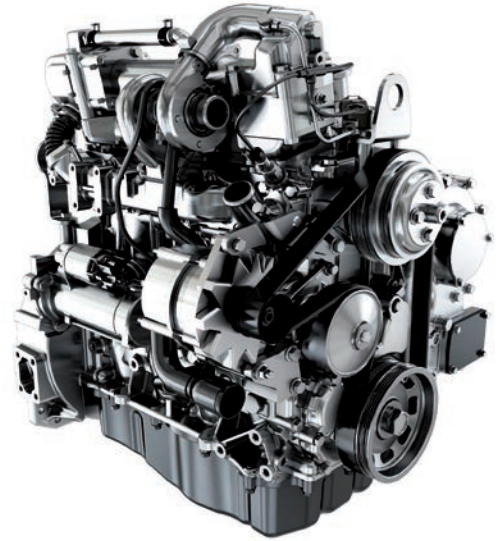
C Series loader backhoes comply with the extremely strict Tier 4 Final regulations, dramatically cutting emissions levels, with over 90% less particulate matter (PM), or soot, and 75% less nitrogen oxide (NOx) than the previous Tier 4A engines.

FUEL EFFICIENT

The new Tier 4 Final engines provide the same power and torque as previous engines, without increasing RPM. In addition, when you don't use the full power of the machine, the variable flow hydraulic pump only uses the power required leading to significant extra-fuel savings and as well as reduced operating noise.

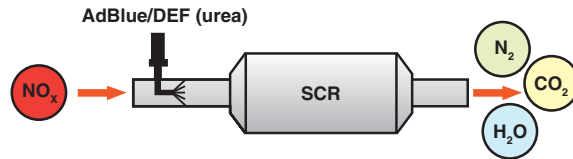
TIER 4 FINAL EMISSIONS SOLUTION

New Holland not only meets these requirements to do what's right for you and the environment, but also achieves them in a way that meets your needs for productivity, fuel efficiency and uptime. Tier 4 standards require the reduction of the main pollutants in emissions: carbon monoxide, hydrocarbons, nitrogen oxides, and particulate matter. Emissions limits are particularly focused on curbing airborne NOx and PM.



HOW SELECTIVE CATALYTIC REDUCTION (SCR) WORKS

With the new Tier 4 Final certified engines, New Holland's SCR solution converts Nitrogen oxides (NOx) with the aid of a catalyst into N₂, H₂O, and CO₂. AdBlue/DEF is added and absorbed onto a catalyst. CO₂ is the reaction product when urea is used as the reductant. The SCR solution results in no down time that you would have with CEGR. With no recirculation equipment, you get faster throttle response and cleaner emissions.



ATTACHMENT VERSATILITY



New Holland offers a complete line of attachments including augers, rakes, grapples, pallet forks, brooms, dozer blades, hammers and more to take on the toughest jobs. For more details contact your New Holland dealer.



U80C TRACTOR LOADER ALSO OFFERS PROFIT-MAKING



EASY SELF LEVELING AND LOADING

The U80C features automatic hydraulic self leveling and its curved loader arm design places the bucket closer to the front of the machine allowing the operator to place loads exactly where you want to. The unique reverse mounted loader arm cylinders give you maximum bucket breakout force and superior dump speed on the bucket.

RUGGED 3 POINT HITCH

You get best-in-class scraping and leveling performance due to the rugged Category II 3-point hitch with adjustable sway control, controllable down pressure and optional dual tilt cylinders.

POWER SHUTTLE TRANSMISSION

The smooth synchromesh with power shuttle lets you make smooth direction changes between the four forward and four reverse gears.

ENGINE

The U80C meets Tier 4 Final certifications by using a Particulate Matter Catalyst (PM-Cat) solution. This solution is based on particulate matter's continuous passive regeneration of soot by NO₂ generated on the DOC: $C + NO_2 = NO + CO/CO_2$



POWER ON THE FRONT AND BACK



The curved-arm loader linkage provided on the U80C tractor loader provides hydraulic bucket leveling for less spillback, as well as excellent truck loading. The unique reverse mounted loader arm cylinders give you maximum bucket breakout force and superior dump speed on the bucket.



SINGLE LEVER CONTROL

Fully integrated loader control lever allows the operator to control all loader and front auxiliary functions comfortably in one location.

OPTIONAL GLIDE RIDE™

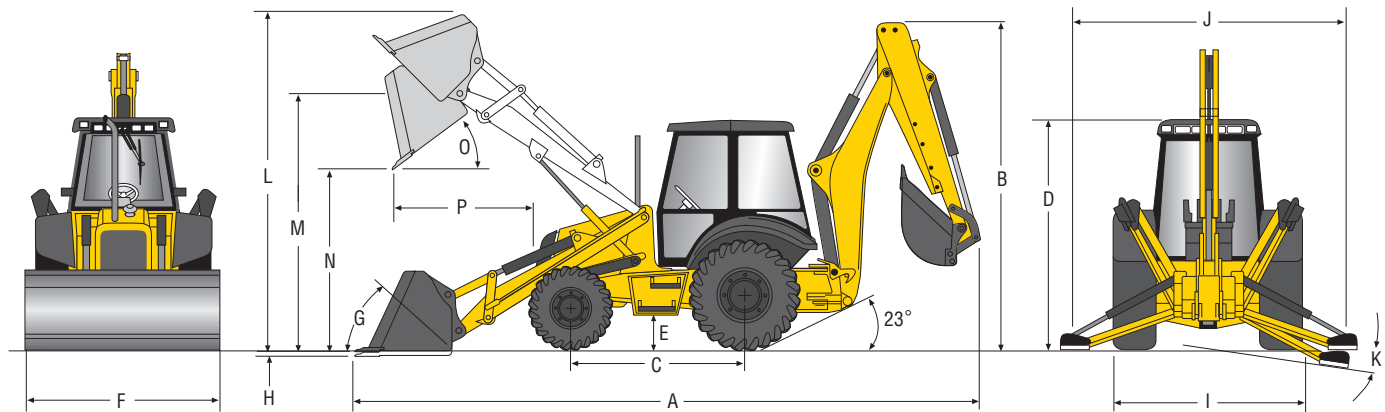
With the flip of a switch Glide Ride charges the boom cylinders, turning them into the equivalent of giant shock absorbers and stabilizing the load while traveling.

OPTIONAL PTO

For added versatility, a 540rpm hydraulic Power Take Off (PTO) can be added to run PTO driven attachments.

Model	Gross Horsepower hp (kW)	Base Unit Weight lbs (kg)	3-Point Hitch Max Lift Force lbs. (N)	Loader SAE Heaped Capacity cu yd (m ³)
U80C	74 (55)	10,916 (4951)	3,501 (15,574)	1.03 (0.79) Long Lip Bucket
				1.04 (0.80) 4 in I® Bucket

B95C SPECIFICATIONS



DIMENSIONS

A.	Transport length, ft/in (mm)	23' 0" (7030)	G.	Bucket Rollback	
B.	Transport height, ft/in (mm)	12' 6" (3815)		At ground level	39°
C.	Wheelbase, in (mm)			Raised	45°
	2WD	85.6" (2175)	H.	Digging depth below grade, in (mm)	4" (100)
	4WD	85.6" (2175)	I.	Transport width, ft/in (mm)	7' 6" (2300)
D.	Height to top of cab, ft/in (mm)	9' 5" (2870)	J.	Stabilizer spread, operating, ft/in (mm)	10' 7" (3226)
E.	Ground Clearance, in (mm)	15.5" (394)	K.	Stabilizer spread, leveling angle	14°
F.	Blade width, ft/in (mm)	7' 5" (2250)			

LOADER DIMENSIONS

		1.1 cu yd Heavy-Duty General Purpose
L.	Max operating height, ft/in (mm)	14' 0" (4276)
M.	Height to hinge pin, ft/in (mm)	11' 5" (3481)
N.	Dump height, ft/in (mm)	9' 2" (2784)
O.	Max dump angle	45°
P.	Reach @ 45 degree dump angle, ft/in (mm)	2' 5" (725)
	Max grading angle	116°

Unit equipped with 12-16.5 front tire, 19.5L-24 rear tire

LOADER PERFORMANCE

	1.1 cu yd Heavy-Duty General Purpose
Linkage geometry	straight
Bucket breakout force, lbf (daN)	12,004 (6340)
Lift capacity to full height, lbs (kg)	7,996 (3627)
SAE heaped capacity, cu yd (m ³)	1.1 (.88)
SAE struck capacity, cu yd (m ³)	.91 (.73)
Bucket weight, lbs (kg)	682 (309)
Cutting width, in (mm)	88 (2250)
Cycle	
Raise to full height	3.70 sec
Dump time	2.00 sec
Lower	2.60 sec

WEIGHT

Base Unit (4WD, Cab)	17,560 lbs
With options added	
2WD	-386 lbs
Canopy	-397 lbs
4x1	+969 lbs
6x1	+1,408 lbs
Std. (counterweight)	-700 lbs
Med. (counterweight)	-170 lbs

TRANSMISSION

	Power Shuttle	Powershift
Manufacturer	Carraro	Carraro
Transmission type	Synchromesh	Hydraulic clutch packs
Gear	4F/4R	4F/3R
Max Fwd travel speed, mph (kph)	22.5 (36.2)	22.1 (35.5)

Note: Travel Speeds with 19.5L-24 Rear Tires

ENGINE

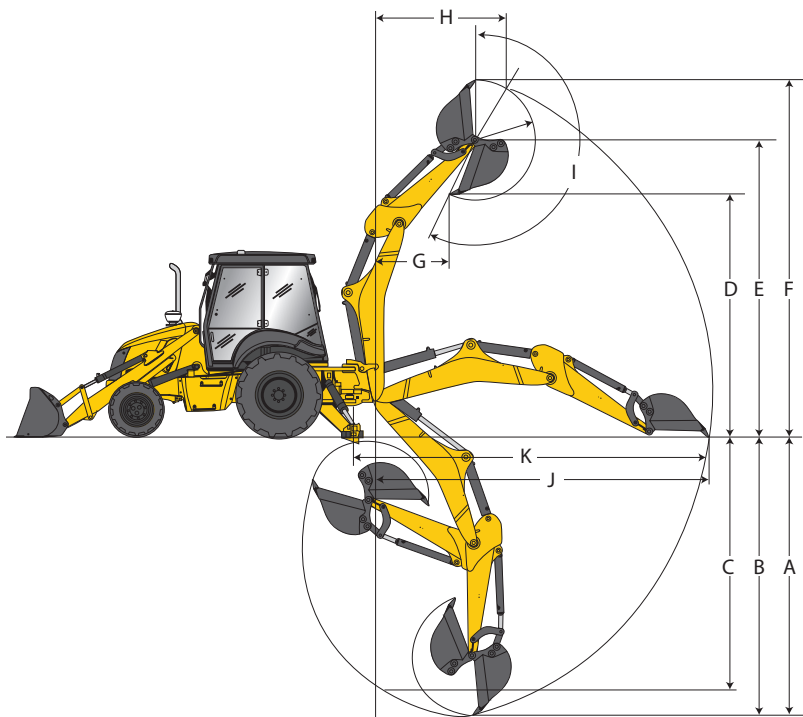
Make and model	FPT F5BFL413B*B003
Type	Tier 4 Final certified, Diesel Oxidation Catalyst with Urea Dosing Module and Selective Catalytic Reduction, HPCR, 4-cycle diesel
Aspiration	Turbocharged Aftercooled
Rated RPM	2200
Number of cylinders	4
Displacement, cu in (l)	207 (3.4)
Horsepower, gross, hp (kW)	97 (72)
Horsepower, net hp (kW)	95 (71)
Peak torque, lb-ft (N-m) @ RPM	338 (458) @ 1400

MANEUVERABILITY

	Less Brakes	With Split Brakes
2WD curb clearance	13' 6"	12' 7"
4WD curb clearance	15' 9"	11' 5"
2WD bucket clearance	17' 9"	16' 8"
4WD bucket clearance	19' 5"	16' 6"

*4WD, CAB, HED, Heavy Duty Counterweight, STD Bucket

B95C SPECIFICATIONS



BACKHOE DIMENSIONS

		Standard	Retracted	Extended
A	Max dig depth, ft/in (mm)	14' 6" (4426)	15' 1" (4586)	18' 5" (5623)
B	Dig depth, 2' flat bottom, ft/in (mm)	14' 5" (4398)	14' 11" (4556)	18' 4" (5589)
C	Dig depth, 8' flat bottom, ft/in (mm)	13' 3" (4034)	13' 10" (4206)	17' 5" (5310)
D	Loading Height, ft/in (mm)	12' 1" (3673)	12' 5" (3784)	14' 7" (4450)
E	Max pin height, ft/in (mm)	14' 10" (4513)	15' 2" (4613)	18' 8" (5698)
F	Max operating height, ft/in (mm)	17' 10" (5441)	18' 2" (5539)	20' 4" (6206)
G	Loading Reach @ max height, ft/in (mm)	4' 6" (1362)	4' 10" (1461)	7' 5" (2272)
H	Dig reach @ max height, ft/in (mm)	6' 8" (2040)	7' 3" (2208)	9' 11" (3019)
I	Bucket rotation (max)	203°	203°	203°
J	Reach from swing post, ft/in (mm)	17' 0" (5186)	17' 6" (5327)	20' 7" (6279)
K	Reach (overall), ft/in (mm)	18' 4" (5589)	18' 10" (5730)	21' 11" (6682)

BACKHOE PERFORMANCE

	Standard	Retracted	Extended
Bucket capacity, cu ft (m ³)	7.5 (.21)	7.5 (.21)	7.5 (.21)
Bucket digging force, lbs (kg)	12,933 (5866)	12,969 (5883)	12,969 (5883)
Crowd digging force, lbs (kg)	8,588 (3895)	8,100 (3674)	5782 (2623)
Boom lift @ -8 ft, lbs (kg)	3,025 (1370)	2,555 (1180)	2,180 (990)
Dipper lift @ +10 ft, lbs (kg)	5,990 (2715)	5,405 (2450)	3,730 (1690)

HYDRAULIC SYSTEM

Pilot Control Pump	Variable displacement
System type	Open center
Main pump type	Dual gear
Pump capacity gpm (lpm)	40 (151)
System relief pressure	3,045 psi

ELECTRICAL

Alternator output	160 amps
Battery capacity (std/opt)	1,200/900 CCA

REFILL CAPACITIES

Fuel tank, gal (l)	34.6 (131)
DEF system, gal (l)	3.5 (13.2)
Cooling system, gal (l)	6.4 (24)
Engine oil, includes filter, gal (l)	2.1 (8.0)
Hydraulic tank, gal (l)	13.4 (50.7)
Hydraulic system, gal (l)	29 (111)

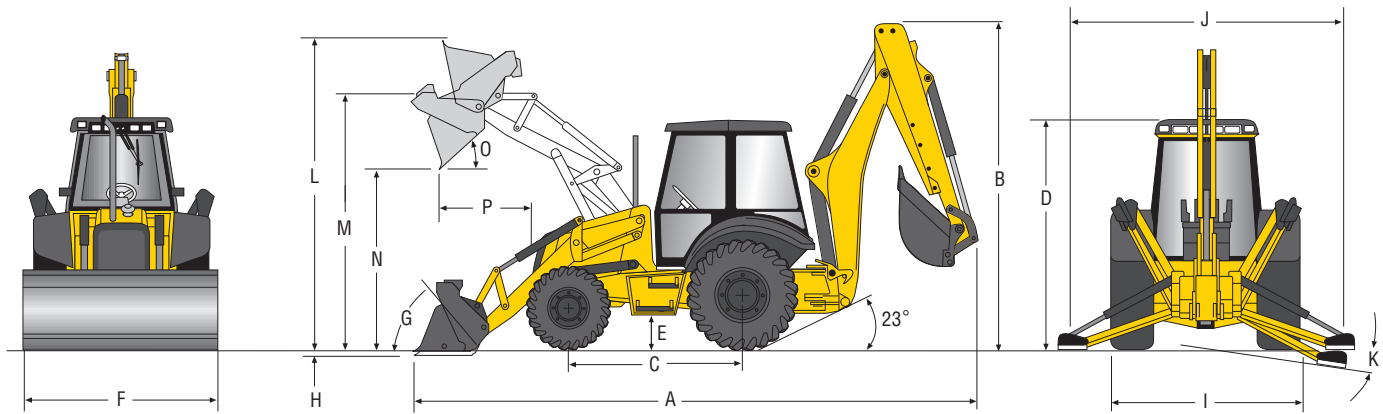
CYLINDER SPECS

Loader cylinder	3.54" bore x 28.6" stroke
Backhoe	
Boom cylinder	5" bore x 35.71" stroke
Arm cylinder	4.75" bore x 27.64" stroke
Bucket cylinder	3.5" bore x 30.16" stroke
Swing cylinder	4.33" bore x 9.38" stroke

SERVICE INTERVALS

Engine oil	500 hours
Hydraulic oil filter	1,000 hours
Engine coolant	2,000 hours
Rear axle oil	1,000 hours

B95C TC SPECIFICATIONS



DIMENSIONS			
A.	Transport length, ft/in (mm)	24' 0" (7325)	G. Bucket Rollback
B.	Transport height, ft/in (mm)	12' 6" (3815)	At ground level
C.	Wheelbase, in (mm)		Raised
	2WD	85.6" (2175)	
	4WD	85.6" (2175)	
D.	Height to top of cab, ft/in (mm)	9' 5" (2870)	H. Digging depth below grade, in (mm)
E.	Ground Clearance, in (mm)	15.5" (394)	5" (120)
F.	Blade width, ft/in (mm)	7' 5" (2250)	I. Transport width, ft/in (mm)
			7' 6" (2300)
			J. Stabilizer spread, operating, ft/in (mm)
			10' 7" (3226)
			K. Stabilizer spread, leveling angle
			14°

LOADER DIMENSIONS		
		1.3 cu yd Heavy-Duty General Purpose
L.	Max operating height, ft/in (mm)	13' 11" (4250)
M.	Height to hinge pin, ft/in (mm)	11' 4" (3458)
N.	Dump height, ft/in (mm)	10' 7" (3218)
O.	Max dump angle	45°
P.	Reach @ 45 degree dump angle, ft/in (mm)	2' 9" (829)
	Max grading angle	116°

Unit equipped with 12-16.5 front tire, 19.5L-24 rear tire

LOADER PERFORMANCE	
	1.3 cu yd Heavy-Duty General Purpose
Linkage geometry	curved
Bucket breakout force, lbf (daN)	14,711 (6544)
Lift capacity to full height, lbs (kg)	7,606 (3450)
SAE heaped capacity, cu yd (m ³)	1.3 (1.0)
SAE struck capacity, cu yd (m ³)	1.1 (.82)
Bucket weight, lbs (kg)	880 (399)
Cutting width, in (mm)	89 (2250)
Cycle	
Raise to full height	3.70 sec
Dump time	2.00 sec
Lower	2.60 sec

WEIGHT	
Base Unit (4WD, Cab), lbs (kg)	17,730 (8042)
With options added	
2WD	-386 lbs
Canopy	-397 lbs
4x1	+770 lbs
6x1	+1,810 lbs
Std. (counterweight)	-700 lbs
Med. (counterweight)	-170 lbs

TRANSMISSION		
	Power Shuttle	Powershift
Manufacturer	Carraro	Carraro
Transmission type	Synchromesh	Hydraulic clutch packs
Gear	4F/4R	4F/3R
Max Fwd travel speed, mph (kph)	22.5 (36.2)	22.1 (35.5)

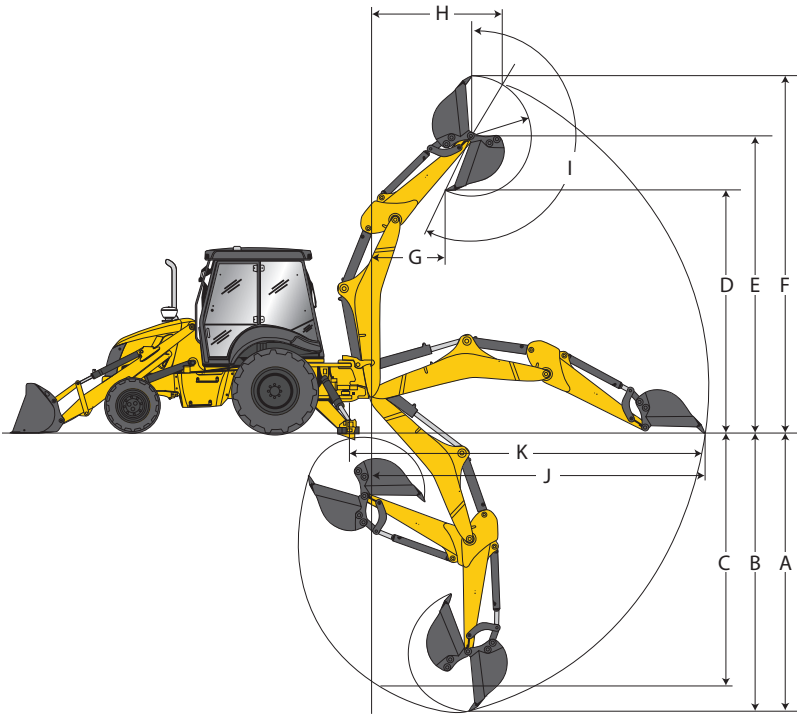
Note: Travel Speeds with 19.5L-24 Rear Tires

ENGINE	
Make and model	F5BFL413B*B003
Type	Tier 4 Final certified, Diesel Oxidation Catalyst with Urea Dosing Module and Selective Catalytic Reduction, HPCR, 4-cycle diesel
Aspiration	Turbocharged Aftercooled
Rated RPM	2200 RPM
Number of cylinders	4
Displacement, cu in (l)	207 (3.4)
Horsepower, gross, hp (kW)	97 (72)
Horsepower, net hp (kW)	95 (71)
Peak torque, lb-ft (N-m) @ RPM	338 (458) @ 1400

MANEUVERABILITY		
	Less Brakes	With Split Brakes
2WD curb clearance	13' 6"	12' 7"
4WD curb clearance	15' 9"	11' 5"
2WD bucket clearance	17' 9"	16' 8"
4WD bucket clearance	19' 5"	16' 6"

*4WD, CAB, HED, Heavy Duty Counterweight, STD Bucket

B95C TC SPECIFICATIONS



BACKHOE DIMENSIONS

		Standard	Retracted	Extended
A	Max dig depth, ft/in (mm)	14' 6" (4426)	15' 1" (4586)	18' 5" (5623)
B	Dig depth, 2' flat bottom, ft/in (mm)	14' 5" (4398)	14' 11" (4556)	18' 4" (5589)
C	Dig depth, 8' flat bottom, ft/in (mm)	13' 3" (4034)	13' 10" (4206)	17' 5" (5310)
D	Loading Height, ft/in (mm)	12' 1" (3673)	12' 5" (3784)	14' 7" (4450)
E	Max pin height, ft/in (mm)	14' 10" (4513)	15' 2" (4613)	18' 8" (5698)
F	Max operating height, ft/in (mm)	17' 10" (5441)	18' 2" (5539)	20' 4" (6206)
G	Loading Reach @ max height, ft/in (mm)	4' 6" (1362)	4' 10" (1461)	7' 5" (2272)
H	Dig reach @ max height, ft/in (mm)	6' 8" (2040)	7' 3" (2208)	9' 11" (3019)
I	Bucket rotation (max)	203°	203°	203°
J	Reach from swing post, ft/in (mm)	17' 0" (5186)	17' 6" (5327)	20' 7" (6279)
K	Reach (overall), ft/in (mm)	18' 4" (5589)	18' 10" (5730)	21' 11" (6682)

BACKHOE PERFORMANCE

	Standard	Retracted	Extended
Bucket capacity, cu ft (m ³)	7.5 (.21)	7.5 (.21)	7.5 (.21)
Bucket digging force, lbs (kg)	12,933 (5866)	12,933 (5866)	12,933 (5866)
Crowd digging force, lbs (kg)	8,588 (3895)	8,100 (3674)	5782 (2623)
Boom lift @ -8 ft, lbs (kg)	3,228 (1467)	2,732 (1242)	2,329 (1058)
Dipper lift @ +10 ft, lbs (kg)	5,990 (2715)	5,405 (2450)	3,730 (1690)

HYDRAULIC SYSTEM

Pilot Control Pump	Variable displacement
System type	Open center
Main pump type	Dual gear
Pump capacity gpm (lpm)	40 (151)
System relief pressure	3,045 psi

ELECTRICAL

Alternator output	160 amps
Battery capacity (std/opt)	1,200/900 CCA

REFILL CAPACITIES

Fuel tank, gal (l)	34.6 (131)
DEF system, gal (l)	3.5 (13.2)
Cooling system, gal (l)	6.4 (24)
Engine oil, includes filter, gal (l)	2.1 (8.0 L)
Hydraulic tank, gal (l)	13.4 (50.7)
Hydraulic system, gal (l)	29 (111)

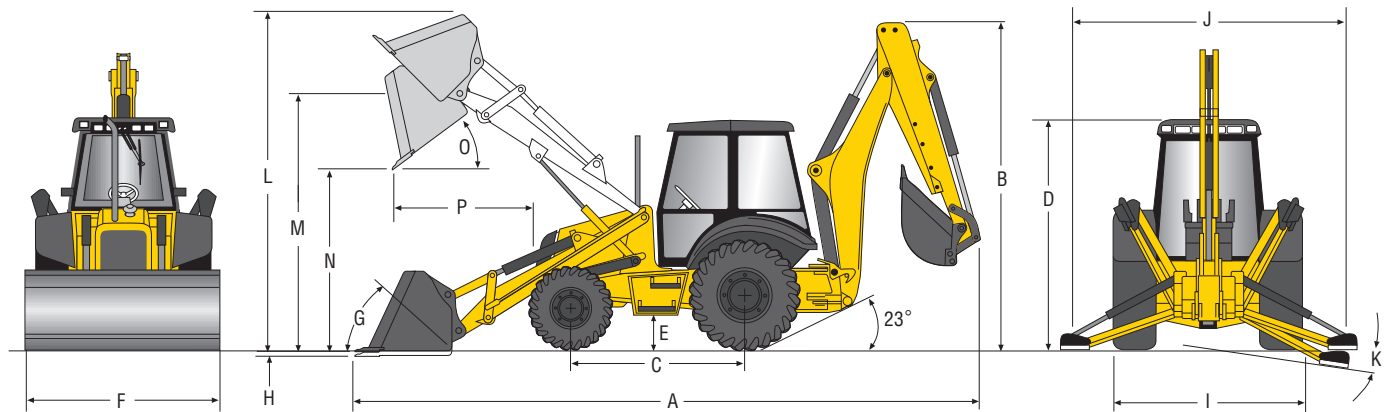
CYLINDER SPECS

Loader cylinder	3.54" bore x 28.6" stroke
Backhoe	
Boom cylinder	5" bore x 35.71" stroke
Arm cylinder	4.75" bore x 27.64" stroke
Bucket cylinder	3.5" bore x 30.16" stroke
Swing cylinder	4.33" bore x 9.38" stroke

SERVICE INTERVALS

Engine oil	500 hours
Hydraulic oil filter	1,000 hours
Engine coolant	2,000 hours
Rear axle oil	1,000 hours

B95C LR SPECIFICATIONS



DIMENSIONS

A.	Transport length, ft/in (mm)	23' 0" (7030)	G.	Bucket Rollback	
B.	Transport height, ft/in (mm)	12' 6" (3815)		At ground level	39°
C.	Wheelbase, in (mm)			Raised	45°
	2WD	85.6" (2175)	H.	Digging depth below grade, in (mm)	4" (100)
	4WD	85.6" (2175)	I.	Transport width, ft/in (mm)	7' 6" (2300)
D.	Height to top of cab, ft/in (mm)	9' 5" (2870)	J.	Stabilizer spread, operating, ft/in (mm)	10' 7" (3226)
E.	Ground Clearance, in (mm)	15.5" (394)	K.	Stabilizer spread, leveling angle	14°
F.	Blade width, ft/in (mm)	7' 5" (2250)			

LOADER DIMENSIONS

		1.1 cu yd Heavy-Duty General Purpose
L.	Max operating height, ft/in (mm)	14' 0" (4276)
M.	Height to hinge pin, ft/in (mm)	11' 5" (3481)
N.	Dump height, ft/in (mm)	9' 2" (2784)
O.	Max dump angle	45°
P.	Reach @ 45 degree dump angle, ft/in (mm)	2' 5" (725)
	Max grading angle	116°

Unit equipped with 12-16.5 front tire, 19.5L-24 rear tire

LOADER PERFORMANCE

	1.1 cu yd Heavy-Duty General Purpose
Linkage geometry	straight
Bucket breakout force, lbf (daN)	12,004 (6340)
Lift capacity to full height, lbs (kg)	7,996 (3627)
SAE heaped capacity, cu yd (m ³)	1.1 (.88)
SAE struck capacity, cu yd (m ³)	.91 (.73)
Bucket weight, lbs (kg)	682 (309)
Cutting width, in (mm)	88 (2250)
Cycle	
Raise to full height	3.70 sec
Dump time	2.00 sec
Lower	2.60 sec

WEIGHT

Base Unit (4WD, Cab, HED)	18,525 lbs
With options added	
2WD	-386 lbs
Canopy	-397 lbs
4x1	+969 lbs
6x1	+1,408 lbs
Std. (counterweight)	N/A
Med. (counterweight)	N/A

TRANSMISSION

	Power Shuttle	Powershift
Manufacturer	Carraro	Carraro
Transmission type	Synchromesh	Hydraulic clutch packs
Gear	4F/4R	4F/3R
Max Fwd travel speed, mph (kph)	22.5 (36.2)	22.1 (35.5)

Note: Travel Speeds with 19.5L-24 Rear Tires

ENGINE

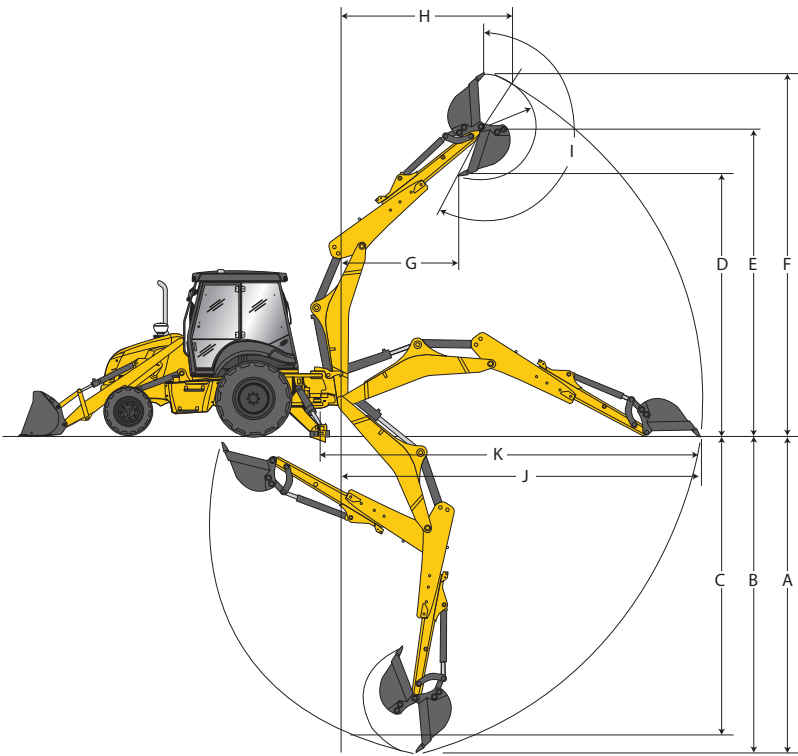
Make and model	F5BFL413B*B003
Type	Tier 4 Final certified, Diesel Oxidation Catalyst with Urea Dosing Module and Selective Catalytic Reduction, HPCR, 4-cycle diesel
Aspiration	Turbocharged Aftercooled
Rated RPM	2200 RPM
Number of cylinders	4
Displacement, cu in (l)	207 (3.4)
Horsepower, gross, hp (kW)	97 (72)
Horsepower, net hp (kW)	95 (71)
Peak torque, lb-ft (N-m) @ RPM	338 (458) @ 1400

MANEUVERABILITY

	Less Brakes	With Split Brakes
2WD curb clearance	13' 6"	12' 7"
4WD curb clearance	15' 9"	11' 5"
2WD bucket clearance	17' 9"	16' 8"
4WD bucket clearance	19' 5"	16' 6"

*4WD, CAB, HED, Heavy Duty Counterweight, STD Bucket

B95C LR SPECIFICATIONS



BACKHOE DIMENSIONS				
		Standard	Retracted	Extended
A	Max dig depth, ft/in (mm)	15' 6" (4727)	15' 6" (4735)	18' 11" (5770)
B	Dig depth, 2' flat bottom, ft/in (mm)	15' 5" (4695)	15' 5" (4703)	18' 10" (5735)
C	Dig depth, 8' flat bottom, ft/in (mm)	14' 4" (4356)	14' 4" (4364)	17' 11" (5463)
D	Loading Height, ft/in (mm)	12' 4" (3768)	12' 4" (3770)	14' 6" (4431)
E	Max pin height, ft/in (mm)	16' 4" (4969)	15' 5" (4698)	17' 7" (5359)
F	Max operating height, ft/in (mm)	18' 5" (5624)	18' 6" (5625)	20' 7" (6285)
G	Loading Reach @ max height, ft/in (mm)	5' 4" (1615)	5' 2" (1582)	7' 10" (2398)
H	Dig reach @ max height, ft/in (mm)	7' 6" (2294)	7' 8" (2341)	10' 4" (3157)
I	Bucket rotation (max)	203°	203°	203°
J	Reach from swing post, ft/in (mm)	17' 11" (5450)	17' 11" (5456)	21' 0" (6409)
K	Reach (overall), ft/in (mm)	19' 3" (5853)	19' 3" (5859)	22' 4" (6814)

BACKHOE PERFORMANCE			
	Standard	Retracted	Extended
Bucket capacity, cu ft (m ³)	8.5 (.24)	8.5 (.24)	8.5 (.24)
Bucket digging force, lbs (kg)	12,969 (5883)	12,969 (5883)	12,969 (5883)
Crowd digging force, lbs (kg)	8,520 (3868)	8,483 (3848)	6032 (2736)
Boom lift @ -8 ft, lbs (kg)	3,380 (1530)	3,000 (1360)	2,485 (1125)
Dipper lift @ +10 ft, lbs (kg)	6,275 (2845)	5,995 (2720)	4,080 (1850)

HYDRAULIC SYSTEM	
Pilot Control Pump	Variable displacement
System type	Open center
Main pump type	Dual gear
Pump capacity gpm (lpm)	40 (151)
System relief pressure	3,045 psi

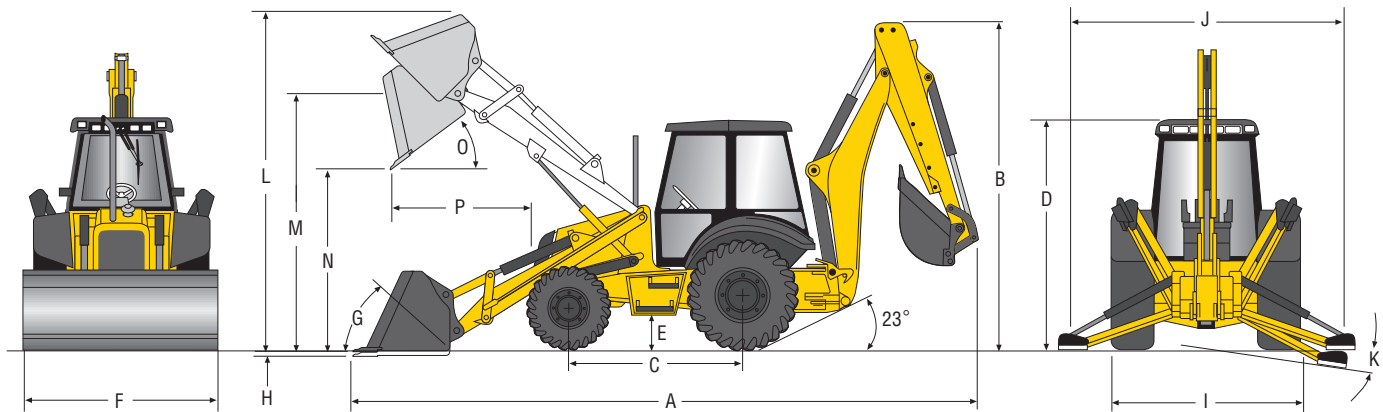
ELECTRICAL	
Alternator output	160 amps
Battery capacity (std/opt)	1,200/900 CCA

REFILL CAPACITIES	
Fuel tank, gal (l)	34.6 (131)
DEF system, gal (l)	3.5 (13.2)
Cooling system, gal (l)	6.4 (24)
Engine oil, includes filter, gal (l)	2.1 (8.0)
Hydraulic tank, gal (l)	13.4 (50.7)
Hydraulic system, gal (l)	29 (111)

CYLINDER SPECS	
Loader cylinder	3.54" bore x 28.6" stroke
Backhoe	
Boom cylinder	5" bore x 35.71" stroke
Arm cylinder	4.75" bore x 27.64" stroke
Bucket cylinder	3.5" bore x 30.16" stroke
Swing cylinder	4.33" bore x 9.38" stroke

SERVICE INTERVALS	
Engine oil	500 hours
Hydraulic oil filter	1,000 hours
Engine coolant	2,000 hours
Rear axle oil	1,000 hours

BI10C SPECIFICATIONS



DIMENSIONS

A.	Transport length, ft/in (mm)	23' 0" (7030)	G.	Bucket Rollback	
B.	Transport height, ft/in (mm)	12' 6" (3815)		At ground level	39°
C.	Wheelbase, in (mm)			Raised	48°
	2WD	85.6" (2175)	H.	Digging depth below grade, in (mm)	4" (100)
	4WD	85.6" (2175)	I.	Transport width, ft/in (mm)	7' 6" (2300)
D.	Height to top of cab, ft/in (mm)	9' 5" (2870)	J.	Stabilizer spread, operating, ft/in (mm)	10' 7" (3226)
E.	Ground Clearance, in (mm)	15.5" (394)	K.	Stabilizer spread, leveling angle	14°
F.	Blade width, ft/in (mm)	7' 5" (2250)			

LOADER DIMENSIONS

	1.1 cu yd Heavy-Duty General Purpose	
L.	Max operating height, ft/in (mm)	14' 2" (4309)
M.	Height to hinge pin, ft/in (mm)	11' 5" (3481)
N.	Dump height, ft/in (mm)	9' 2" (2784)
O.	Max dump angle	45°
P.	Reach @ 45 degree dump angle, ft/in (mm)	2' 4" (706)
	Max grading angle	116°

Unit equipped with 12-16.5 front tire, 19.5L-24 rear tire

LOADER PERFORMANCE

	1.3 cu yd Heavy-Duty General Purpose
Linkage geometry	straight
Bucket breakout force, lbf (daN)	14,253 (6340)
Lift capacity to full height, lbs (kg)	7,833 (3553)
SAE heaped capacity, cu yd (m ³)	1.3 (1.0)
SAE struck capacity, cu yd (m ³)	1.1 (.82)
Bucket weight, lbs (kg)	880 (399)
Cutting width, in (mm)	89 (2250)
Cycle	
Raise to full height	3.70 sec
Dump time	2.00 sec
Lower	2.60 sec

WEIGHT

Base Unit (4WD, Cab, HED)	18,525 lbs
With options added	
2WD	-386 lbs
Canopy	-397 lbs
4x1	+969 lbs
6x1	+1,408 lbs
Std. (counterweight)	-700 lbs
Med. (counterweight)	-170 lbs

TRANSMISSION

	Power Shuttle	Powershift
Manufacturer	Carraro	Carraro
Transmission type	Synchromesh	Hydraulic clutch packs
Gear	4F/4R	4F/3R
Max Fwd travel speed, mph (kph)	22.5 (36.2)	22.1 (35.5)

Note: Travel Speeds with 19.5L-24 Rear Tires

ENGINE

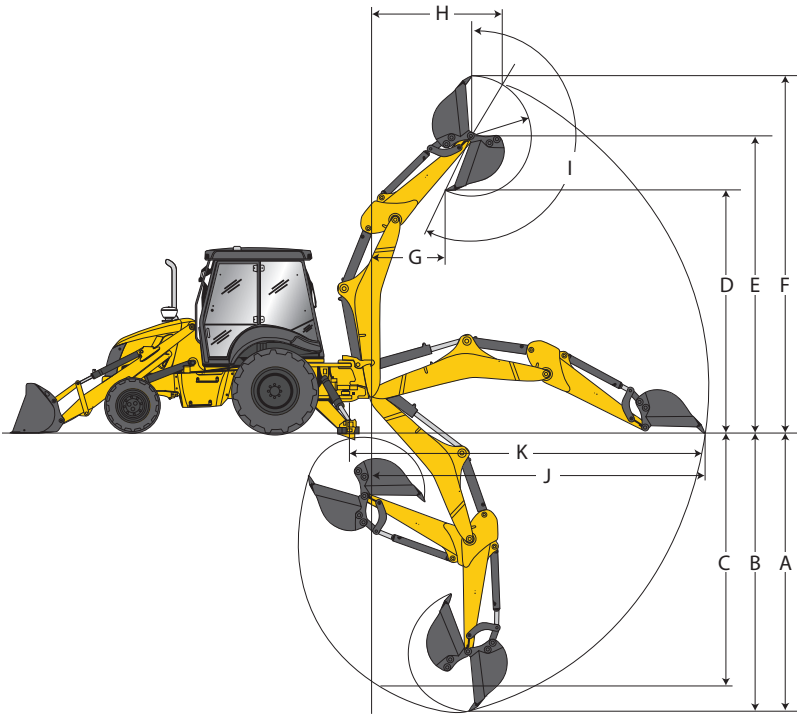
Make and model	F5BFL413A*B006
Type	Tier 4 Final certified, Diesel Oxidation Catalyst with Urea Dosing Module and Selective Catalytic Reduction, HPCR, 4-cycle diesel
Aspiration	Turbocharged Aftercooled
Rated RPM	2200 RPM
Number of cylinders	4
Displacement, cu in (l)	207 (3.4)
Horsepower, gross, hp (kW)	110 (82)
Horsepower, net hp (kW)	108 (81)
Peak torque, lb-ft (N-m) @ RPM	344 (466) @ 1400

MANEUVERABILITY

	Less Brakes	With Split Brakes
2WD curb clearance	13' 6"	12' 7"
4WD curb clearance	15' 9"	11' 5"
2WD bucket clearance	17' 9"	16' 8"
4WD bucket clearance	19' 5"	16' 6"

*4WD, CAB, HED, Heavy Duty Counterweight, STD Bucket

BI10C SPECIFICATIONS



BACKHOE DIMENSIONS

		Standard	Retracted	Extended
A	Max dig depth, ft/in (mm)	15' 6" (4727)	15' 6" (4735)	18' 11" (5770)
B	Dig depth, 2' flat bottom, ft/in (mm)	15' 5" (4695)	15' 5" (4703)	18' 10" (5735)
C	Dig depth, 8' flat bottom, ft/in (mm)	14' 4" (4356)	14' 4" (4364)	17' 11" (5463)
D	Loading Height, ft/in (mm)	12' 8" (3851)	12' 8" (3872)	14' 10" (4533)
E	Max pin height, ft/in (mm)	16' 4" (4969)	15' 5" (4698)	17' 7" (5359)
F	Max operating height, ft/in (mm)	18' 5" (5624)	18' 6" (5625)	20' 7" (6285)
G	Loading Reach @ max height, ft/in (mm)	5' 4" (1615)	5' 2" (1582)	7' 10" (2398)
H	Dig reach @ max height, ft/in (mm)	7' 6" (2294)	7' 8" (2341)	10' 4" (3157)
I	Bucket rotation (max)	203°	203°	203°
J	Reach from swing post, ft/in (mm)	17' 11" (5450)	17' 11" (5456)	21' 0" (6409)
K	Reach (overall), ft/in (mm)	19' 3" (5853)	19' 3" (5859)	22' 4" (6812)

BACKHOE PERFORMANCE

	Standard	Retracted	Extended
Bucket capacity, cu ft (m ³)	8.5 (.24)	8.5 (.24)	8.5 (.24)
Bucket digging force, lbs (kg)	12,969 (5883)	12,969 (5883)	12,969 (5883)
Crowd digging force, lbs (kg)	8,520 (3868)	8,483 (3848)	6032 (2736)
Boom lift @ -8 ft, lbs (kg)	3,380 (1530)	3,000 (1360)	2,485 (1125)
Dipper lift @ +10 ft, lbs (kg)	6,275 (2845)	5,995 (2720)	4,080 (1850)

HYDRAULIC SYSTEM

Pilot Control Pump	Variable displacement
System type	Open center
Main pump type	Dual gear
Pump capacity gpm (lpm)	40 (151)
System relief pressure	3,045 psi

ELECTRICAL

Alternator output	160 amps
Battery capacity (std/opt)	1,200/900 CCA

REFILL CAPACITIES

Fuel tank, gal (l)	34.6 (131)
DEF system, gal (l)	3.5 (13.2)
Cooling system, gal (l)	6.4 (24)
Engine oil, includes filter, gal (l)	2.1 (8.0)
Hydraulic tank, gal (l)	13.4 (50.7)
Hydraulic system, gal (l)	36.1 (136.8)

CYLINDER SPECS

Loader cylinder	3.54" bore x 28.6" stroke
Backhoe	
Boom cylinder	5" bore x 35.71" stroke
Arm cylinder	4.75" bore x 27.64" stroke
Bucket cylinder	3.5" bore x 30.16" stroke
Swing cylinder	4.33" bore x 9.38" stroke

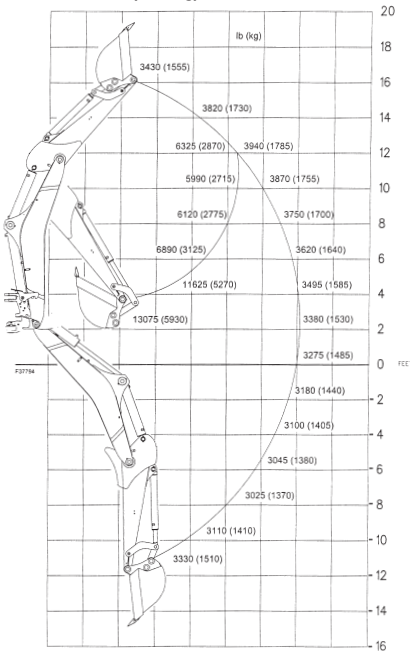
SERVICE INTERVALS

Engine oil	500 hours
Hydraulic oil filter	1,000 hours
Engine coolant	2,000 hours
Rear axle oil	1,000 hours

B95C B95C TC LIFT CAPACITIES

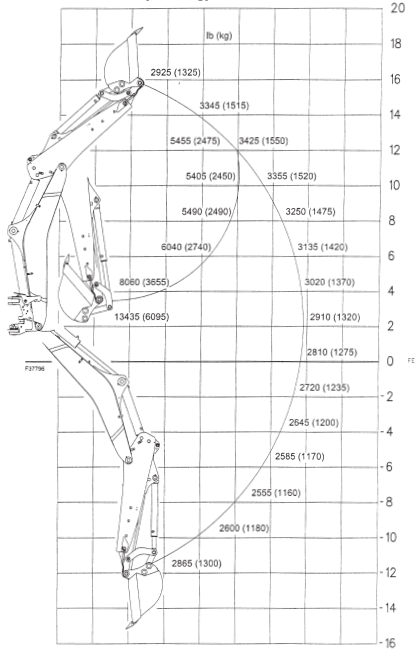
LIFT CAPACITIES

BACKHOE BOOM AND SHORT BACKHOE DIPPER WITH HD BACKHOE BUCKET
610 mm (156 kg) / Loader Bucket 6 x 1



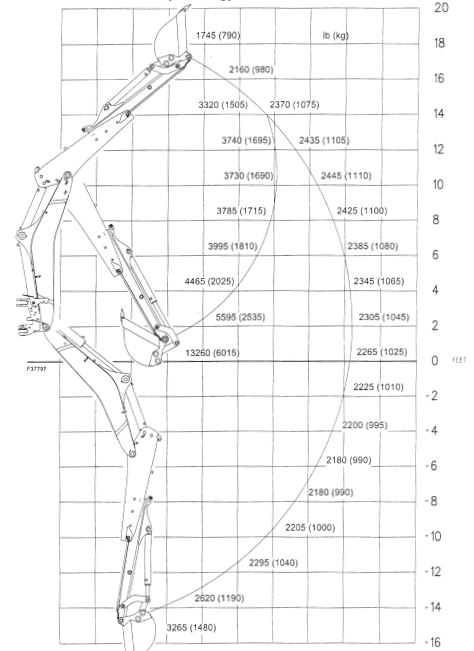
SAE 3,045 psi
P=210 Bar
Front Counterweight
Front Tires: 12-16.5 (contractor 4WD)
Rear Tires: 19.5L-24 (Ind.Tract. Lug R4)

BACKHOE BOOM AND SHORT TELESCOPIC DIPPER RETRACTED WITH HD BACKHOE BUCKET
610 mm (156 kg) / Loader Bucket 6 x 1



SAE 3,045 psi
P=210 Bar
Front Counterweight
Front Tires: 12-16.5 (contractor 4WD)
Rear Tires: 19.5L-24 (Ind.Tract. Lug R4)

BACKHOE BOOM AND SHORT TELESCOPIC DIPPER EXTENDED WITH HD BACKHOE BUCKET
610 mm (156 kg) / Loader Bucket 6 x 1

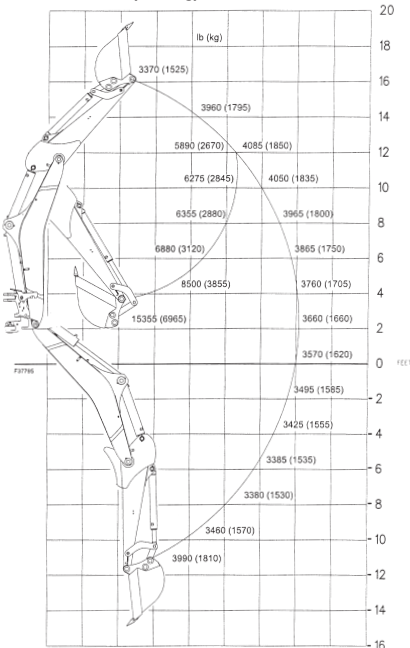


SAE 3,045 psi
P=210 Bar
Front Counterweight
Front Tires: 12-16.5 (contractor 4WD)
Rear Tires: 19.5L-24 (Ind.Tract. Lug R4)

B95C LR B110C LIFT CAPACITIES

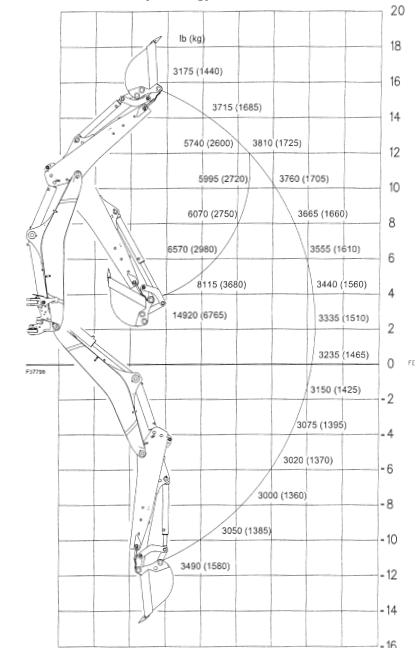
LIFT CAPACITIES

BACKHOE BOOM AND LONG BACKHOE DIPPER WITH HD BACKHOE BUCKET
610 mm (156 kg) / Loader Bucket 6 x 1



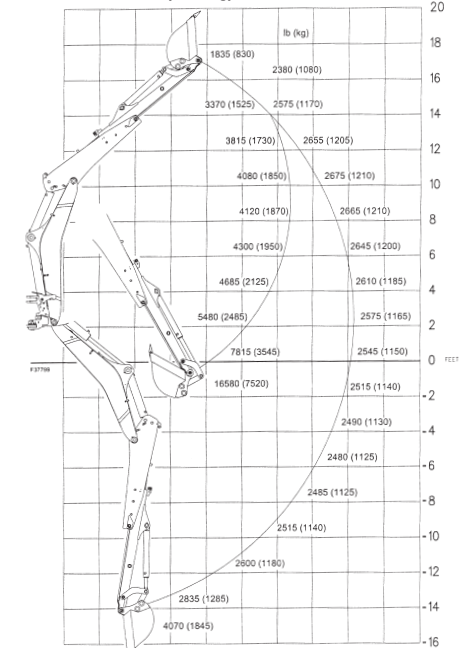
SAE 3,045 psi
P=210 Bar
Front Counterweight
Front Tires: 12-16.5 (contractor 4WD)
Rear Tires: 19.5L-24 (Ind.Tract. Lug R4)

BACKHOE BOOM AND LONG TELESCOPIC DIPPER RETRACTED WITH HD BACKHOE BUCKET
610 mm (156 kg) / Loader Bucket 6 x 1



SAE 3,045 psi
P=210 Bar
Front Counterweight
Front Tires: 12-16.5 (contractor 4WD)
Rear Tires: 19.5L-24 (Ind.Tract. Lug R4)

BACKHOE BOOM AND LONG TELESCOPIC DIPPER EXTENDED WITH HD BACKHOE BUCKET
610 mm (156 kg) / Loader Bucket 6 x 1



SAE 3,045 psi
P=210 Bar
Front Counterweight
Front Tires: 12-16.5 (contractor 4WD)
Rear Tires: 19.5L-24 (Ind.Tract. Lug R4)

B95C B95C TC B95C LR

BASE & OPTIONAL EQUIPMENT

BASE EQUIPMENT

ENGINE

Dry dual-element air cleaner
 Fuel filter w/ water separator
 10 micron paper filter
 Glow Plugs
 FPT F5BFL413B Diesel
 Diesel Oxidation Catalyst with SCR
 Full flow engine oil filter
 Electronic throttles – foot and rotary hand
 Self-adjusting belt
 High Pressure Common Rail

TRANSMISSION

Power shuttle fully synchronized gearbox,
 4 forward/4 reverse speeds, and power-reversing torque converter
 Two position electric disconnect on loader control and gearshift

OUTBOARD REAR AXLE/BRAKES

Planetary final drives
 Button activated differential lock
 Multi-plate, hydraulic, self-adjusting, self-equalizing outboard wet disc brakes
 Independent SAHR parking/emergency brake

FRONT AXLE

74" tread width
 8-bolt wheel hubs
 Hydrostatic power steering with priority valve
 Integrated steering cylinder
 2WD axle: cast iron
 FWD axle: cast iron
 FWD electrical engagement with indicator light

ELECTRICAL

12-volt system
 160-amp high-capacity alternator
 Single battery
 Sealed fuseblock compartment
 Water resistant main fuseblock

LIGHTING

4 Halogen worklights on canopy
 8 Halogen worklights on cab
 Stop and turn signals
 Four-way safety flashers

BACKHOE

Includes: Curved boom, Center pivot swing post, Boom cylinder, and Dipper cylinder
 Dipper cylinder and dipstick
 2-lever backhoe controls (SAE Pattern)
 Dirt pads
 Front counterweight - 282 lbs.
 Backhoe bucket not included

OPERATOR'S STATION (ROPS)

Dual side entry flat deck
 Interior rearview mirror
 Built-in beverage holder
 Key start switch with electric shut-off
 2-position horn control
 Electric analog instrumentation
 Tachometer/hourmeter
 Fuel gauge

DEF gauge
 Fixed steering wheel
 Auxiliary 12-volt output/cigarette lighter
 Pre-wired for emergency beacon
 Pre-wired for road headlights
 Vinyl suspension seat
 2-inch retractable seatbelt

OPERATOR'S STATION (CAB)

Dual side entry flat deck
 Interior rearview mirror
 Built-in beverage holder
 Coat hook
 Pre-wired for radio
 Key start switch with electric shut-off
 Headliner
 2-position horn control
 Molded floor mat
 Electric instrumentation
 Tachometer/hourmeter
 Fuel gauge
 DEF gauge
 Interior dome light
 Fixed steering wheel
 Auxiliary 12-volt output/cigarette lighter
 Pre-wired for emergency beacon
 Pre-wired for road headlights
 Adjustable side window openings
 One-piece rear window
 Adjustable heater/blower fan
 Adjustable front sun-screen shade
 Cloth suspension seat
 2-inch retractable seatbelt
 Heater

LOADER

Straight loader arm design (B95C, B95C LR)
 Curved loader arm design (B95C TC)
 4-Bar bucket linkage
 Bucket level indicator
 Return-to-dig feature
 Dual lift and bucket cylinders
 Hydromechanical self-leveling (B95C, B95C LR)
 Single lever control
 Loader arm support
 1.1 yd³ heavy duty bucket (B95C, B95C LR)
 1.3 yd³ heavy duty bucket (B95C TC)
 Bolt-on cutting edge
 Mechanical self leveling (B95C TC)

HYDRAULICS

O-ring Face seal connectors
 "PD" type diagnostic port connectors
 Open center coaxial drive hydraulic pump
 7 micron spin-on filter element
 Mechanical, Gear Pump - 151 L/min (40 gpm)
 Pilot, Axial Piston Pump - 6 to 156 L/min (1.6 to 41.2 gpm)

SAFETY AND SECURITY

4-Post ROPS/FOPS
 Lockable Compartments for: Engine, Hydraulic System, Battery
 Lockable fuel & DEF cap
 Horn
 Backup alarm

OPTIONAL EQUIPMENT

ENGINE

*110-volt engine block heater

ELECTRICAL

Dual batteries

BACKHOE

2-lever pilot controls with pattern changer
 *Mechanical backhoe bucket quick coupler
 4-lever backhoe controls
 2-lever ISO excavator pattern backhoe controls
 HED extendible dipperstick
 Multiple bucket options from factory
 Heavy-duty and extra heavy-duty backhoe buckets
 Flip over stabilizer pads

OPERATOR'S STATION (ROPS)

Electric ON/OFF control of hydraulic hand tool function
 Foot-activated switch control of backhoe hammer

OPERATOR'S STATION (CAB)

Air conditioning system
 Electric ON/OFF control of hydraulic hand tool function
 Foot-activated switch control of backhoe hammer
 3-inch retractable seatbelt
 Tilt steering wheel
 Super deluxe Air Ride seat
 Vinyl suspension seat

LOADER

Multiple buckets available
 Mechanical Quick Coupler (B95C, B95C LR)
 Aux hydraulics

*Factory or Dealer installed option

HYDRAULICS

Backhoe hammer circuit
 Mid-mount hand tool circuit
 Extra function backhoe valve with control pedal (less HED)
 *Glide Ride control system

TOTAL VEHICLE

Fire extinguisher
 Special order paint colors
 *External rearview mirrors
 Front fenders
 *Operator cooling fan
 *4wd driveshaft guard kit
 Tool box (lockable)

LOADER ATTACHMENTS

Sweeper brooms
 4x1 bucket
 Auger
 Claw
 Forks
 Scrap grapple

BACKHOE ATTACHMENTS

Hydraulic breaker
 Hydraulic auger
 Hydraulic thumb
 Additional buckets

TIRES

Please see your dealer to discuss the other tire options available.

B110C

BASE & OPTIONAL EQUIPMENT

BASE EQUIPMENT

ENGINE

Dry dual-element air cleaner
 Fuel filter w/ water separator
 10 micron paper filter
 Glow Plugs
 FPT F5BFL413B Diesel
 Diesel Oxidation Catalyst with SCR
 Full flow engine oil filter
 Electronic throttles – foot and rotary hand
 Self-adjusting belt
 High Pressure Common Rail computer

TRANSMISSION

Power shuttle fully synchronized gearbox,
 4 forward/4 reverse speeds, and
 power-reversing torque converter
 Two position electric disconnect on
 loader control and gearshift

OUTBOARD REAR AXLE/BRAKES

Planetary final drives
 Button activated differential lock
 Electric differential lock on powershift
 Multi-plate, hydraulic, self-adjusting,
 self-equalizing outboard wet disc brakes
 Independent SAHR parking/emergency
 brake

FRONT AXLE

74" tread width
 Hydrostatic power steering with
 priority valve
 Integrated steering cylinder
 2WD axle: cast iron
 FWD axle: cast iron
 FWD electrical engagement with
 indicator light

ELECTRICAL

12-volt system
 160-amp high-capacity
 Dual wet batteries
 Sealed fuseblock compartment
 Water resistant main fuseblock

LIGHTING

8 halogen worklights
 Stop and turn signals
 Four-way safety flashers

BACKHOE

Includes: Curved boom, Center pivot
 swing post, Boom cylinder and Dipper
 cylinder

OPERATOR'S STATION (ROPS)

Dual side entry flat deck
 Interior rearview mirror
 Built-in beverage holder
 Key start switch with electric shut-off
 2-position horn control
 Electric analog instrumentation
 Tachometer/hourmeter
 Fuel gauge
 DEF gauge

Tilt steering wheel (w/ Powershift)
 Auxiliary 12-volt output/cigarette lighter
 Pre-wired for emergency beacon
 Pre-wired for road headlights
 Vinyl suspension seat
 SE3-inch retractable seatbelt

OPERATOR'S STATION (CAB)

Dual side entry flat deck
 Interior rearview mirror
 Built-in beverage holder
 Coat hook
 Pre-wired for radio
 Key start switch with electric shut-off
 Headliner
 2-position horn control
 Molded floor mat
 Electric instrumentation
 Tachometer/hourmeter
 Fuel gauge
 DEF gauge
 Interior dome light
 Tilt steering wheel (w/ Powershift)
 Auxiliary 12-volt output/cigarette lighter
 Pre-wired for emergency beacon
 Pre-wired for road headlights
 Adjustable side window openings
 One-piece rear window
 Adjustable heater/blower fan
 Adjustable front sun-screen shade
 Cloth suspension seat
 2-inch retractable seatbelt

LOADER

Straight loader arm design
 4-Bar bucket linkage
 Bucket level indicator
 Return-to-dig feature
 Dual lift and bucket cylinders
 Hydromechanical self-leveling
 Single lever control
 1.3 yd³ heavy duty bucket

HYDRAULICS

O-ring Face seal connectors
 "PD" type diagnostic port connectors
 Open center coaxial drive hydraulic pump
 7 micron spin-on filter element
 Relief valve protection
 Mechanical, Gear Pump - 151 L/min
 (40 gpm)
 Pilot, Axial Piston Pump - 6 to 156 L/min
 (1.6 to 41.2 gpm)

SAFETY AND SECURITY

4-Post ROPS/FOPS
 Lockable compartments for: Engine,
 Hydraulic System, Battery
 Lockable fuel & DEF cap
 Battery disconnect switch
 2" Retractable seat belt
 Horn
 Backup alarm

OPTIONAL EQUIPMENT

ENGINE

Grid heater starting aid
 *110-volt engine block heater
 *Centrifugal dust bowl pre-cleaner
 (B110B)

TRANSMISSION

Powershift, 4 forward/2 reverse speeds,
 and power-reversing torque converter
 Single lever F-N-R control with safety
 detent

ELECTRICAL

Single battery

BACKHOE

2-lever pilot controls with pattern
 changer
 *Mechanical backhoe bucket quick
 coupler
 4-lever backhoe controls
 2-lever ISO excavator pattern backhoe
 controls
 HED extendible dipperstick
 Multiple bucket options from factory
 Heavy-duty and extra heavy-duty backhoe
 buckets

OPERATOR'S STATION (ROPS)

Electric ON/OFF control of hydraulic
 hand tool function
 Foot-activated switch control of backhoe
 hammer

OPERATOR'S STATION (CAB)

Air conditioning system
 Super deluxe Air Ride seat
 Vinyl suspension seat
 Speedometer
 Tilt steering wheel

LOADER

Multiple buckets available
 Aux hydraulics

HYDRAULICS

Backhoe hammer circuit
 Mid-mount hand tool circuit
 Extra function backhoe valve with control
 pedal (less HED)
 *Glide Ride control system

TOTAL VEHICLE

Fire extinguisher
 Special order paint colors
 *External rearview mirrors
 Front fenders
 *Operator cooling fan
 *4wd driveshaft guard kit
 Tool Box (lockable)

LOADER ATTACHMENTS

Sweeper brooms
 4x1 bucket
 Auger
 Claw
 Forks
 Scrap grapple

BACKHOE ATTACHMENTS

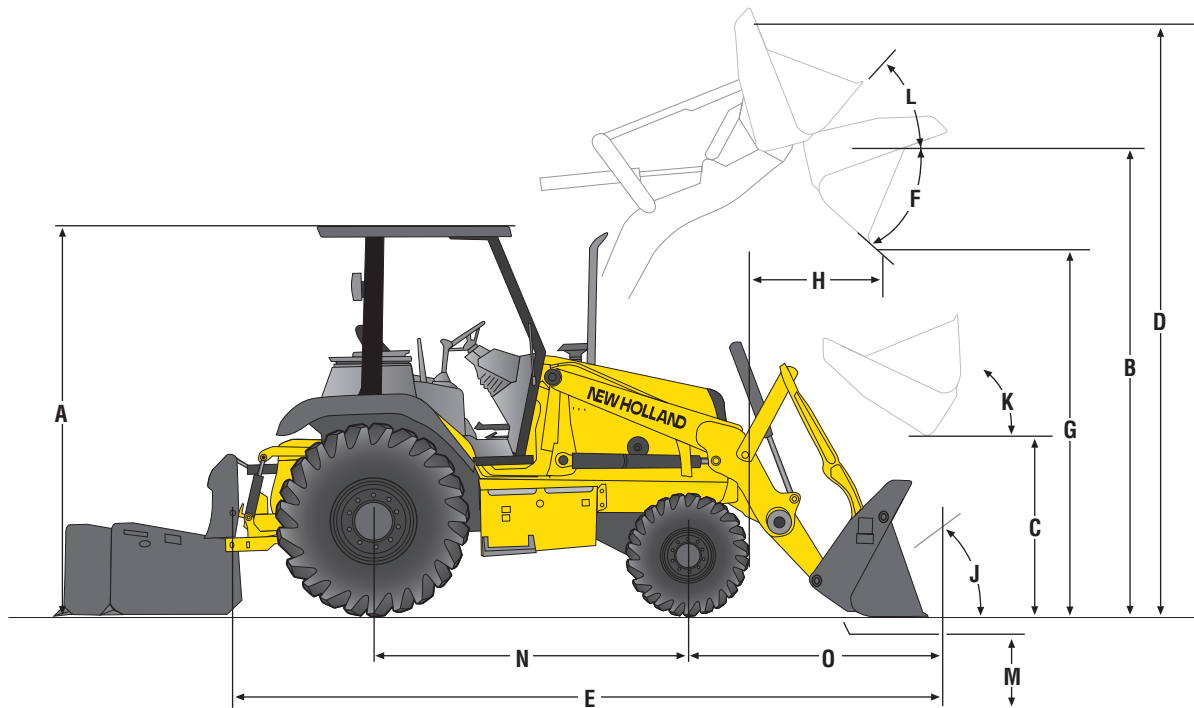
Hydraulic breaker
 Hydraulic auger
 Hydraulic thumb
 Additional buckets

TIRES

Please see your dealer to discuss the
 other tire options available.

*Factory or Dealer installed option

U80C SPECIFICATIONS



LOADER DIMENSIONS

		Long Lip Bucket 19.5 L x 24 Tires	4 IN I® Bucket 17.5 L x 24 Tires			Long Lip Bucket	4 IN I® Bucket
A.	Height to:			H.	Dump reach @ full height, 45° dump:		
	Top of canopy, ft/in (m)	8' 12" (2.73)	8' 9" (2.67)		Bucket, ft/in (m)	2' 2" (0.66)	2' 2" (0.66)
	Height to top of canopy – Low profile ROPS, ft/in (m)	8' 9" (2.65)	8' 6" (2.59)		Clam open, in (m)	NA	11.8 (0.29)
B.	Top of cab, ft/in (m)	8' 12" (2.74)	8' 10" (2.68)	Bucket rollback:			
	Bucket hinge pin fully raised, ft/in (m)	11' 2" (3.41)	11' 2" (3.41)	J.	@ Groundline	40°	40°
C.	Bucket hinge pin @ SAE carry, ft/in (m)	1' 1" (0.33)	1' 3" (0.37)	K.	@ SAE carry	45°	45°
	D.	Overall operating height – fully raised, ft/in (m)	13' 8" (4.17)	14' 3" (4.35)	L.	@ Full height	Adjustable
E.		Overall length w/ 3-point hitch, ft/in (m)	16' 11" (5.15)	16' 8" (5.09)	M.	Digging depth below grade:	
	Width over tires:			Bucket flat, in (m)	7.8 (0.19)	7.1 (0.18)	
	11 L x 16, ft/in (m)	6' 8" (2.02)	6' 8" (2.02)	Clam open (dozing), in (m)	NA	4.4 (0.11)	
	12 L x 16.5, ft/in (m)	6' 10" (2.06)	6' 10" (2.06)	Ground clearance at front axle, in (m)	10.9 (0.28)	10.9 (0.28)	
	19.5 L x 24, ft/in (m)	6' 10" (2.07)	6' 10" (2.07)	N.	Wheelbase 4WD, ft/in (m)	7' 1" (2.15)	7' 1" (2.15)
F.	17.5 L x 24, ft/in (m)	6' 10" (2.07)	6' 10" (2.07)	Wheelbase 2WD, ft/in (m)	7' 0" (2.14)	7' 0" (2.14)	
	Dump angle @ full height	46°	45°	O.	Reach from front axle centerline – bucket on ground, ft/in (m)	6' 3" (1.89)	5' 12" (1.83)
G.	Dump clearance @ full height, 45° dump:				Maximum clam opening, ft/in (m)	NA	3' 3" (0.97)
	Bucket, ft/in (m)	9' 8" (2.93)	8' 11" (2.71)	Moldboard height, ft/in (m)	NA	3' 1" (0.93)	
	Clam open, ft/in (m)	NA	8' 8" (2.63)	Lift capacity to full height, lb (kg)	6,503 (2950)	6,537 (2965)	
				Breakout force:			
				Lift cylinders, lb (N)	9,271 (41 239)	8,766 (38 993)	
				Dump cylinders, lb (N)	9,607 (42 734)	10,325 (45 928)	

NOTE: Loader dimensions taken with 4WD, 19.5 L x 24 rear tires and 82 in (2.08 m) general purpose bucket except as noted.

U80C SPECIFICATIONS

LOADER				
Single-lever 5 function control w/ self-leveling and Return-to-Dig		In-line, reverse linkage		
Positive hold float		Dual parallel dump cylinders		
Return-to-dig		Clutch disconnect button on loader control and shift levers		
Automatic self-leveling		Bucket position indicator		
Loader Bucket Sizes	Width, in (m)	Weight, lbs (kg)	Struck, yd ³ (m ³)	Heaped, yd ³ (m ³)
Long Life Bucket	82 (2.08)	686 (311)	.87 (.67)	1.03 (0.79)
4-in-1 Bucket	82 (2.08)	1,451 (658)	.85 (.65)	1.04 (0.80)

ENGINE	
Turbo	
Model	F5HFL463D*F005
Type	4-stroke, turbocharged
Cylinders	4
Bore x stroke, in (mm)	3.9 x 4.33 (99 x 110)
Displacement, in ³ (L)	207 (3.4)
Fuel injection	Direct HPCR (High Pressure Common Rail)
Engine speeds, (rpm)	
Rated speed, full load	2,200
Low idle	900 - 1,000
High idle, no load	2,330 - 2,430
Horsepower (SAE J1349)	
Gross @ 2,200 rpm, (kW)	74 (55)
Net @ 2,200 rpm, (kW)	68.4 (51)
Maximum torque @ RPM	
Gross, lb-ft (Nm)	233 (316)
Net, lb-ft (Nm)	219 (298)
Torque rise at rated speed	35%

POWERTRAIN				
Transmission type	4 speed synchromesh with hydraulically actuated clutches and electric F/R shuttle control, clutch disconnect buttons on the transmission shifter and loader control lever			
Torque converter ratio (standard)	3:1			
Torque converter (PTO ready)	3.2:1			
Differential-lock	On the go push-button activation			
Service brakes	Individually applied hydraulically actuated, maintenance-free, self adjusting outboard mounted wet disc			
Parking brakes	Trans Mounted SAHR (Spring Applied Hydraulic Release)			
Travel speeds, mph (km/h)	1st	2nd	3rd	4th
Forward/Reverse (standard)	3.8 (6.1)	6.1 (9.8)	12.8 (20.6)	24.0 (38.6)
Forward/Reverse (PTO Ready)	3.5 (5.6)	5.5 (8.9)	11.8 (19)	21.3(34.3)

Note: Travel speeds at 2,293 engine rpm with 19.5 L x 24 rear tires.

ELECTRICAL	
Voltage	12 Volts, negative ground
Alternator, amps	120
Battery	850 CCA
Optional batteries	850 CCA
Power plugs, amps	30 total

HYDRAULICS	
Pump	Gear-type, transmission mounted, direct drive to engine crankshaft
Loader flow @ rated engine rpm, gpm @ psi (L/min @ bar)	28.5 @ 3,000 (108 @ 207)
Loader control valve	2 or 3-spool with single lever control for lift, dump and tilt and auxiliary hydraulics, positive hold float and return-to-dig
3-pt hitch flow @ rated engine rpm, gpm @ psi (L/min @ bar)	3 to 8 @ 2,000 (0 to 30 @ 137)
3-pt hitch control valve	Sectional 4-spool, open-center parallel circuits with variable control for lift, pitch, tilt, and 2 auxiliary remotes
Loader auxiliary hydraulics, gpm (L/min)	12 to 28.5 (45.4 to 108)
Main relief pressure, psi @ gpm (bar @ L/min)	3,050 + 50 - 50 @ 28.5 (210 + 3 - 3 @ 108)
Filtration	7 micron full flow replaceable cartridge on return line, condition indicator light for filter
Oil cooler	Heavy-duty

TURNING DIAMETER		
2WD, ft/in (m)	Brakes on	12' 2" (3.70)
	Brakes off	12' 10" (3.91)
4WD-engaged, ft/in (m)	Brakes on	11' 7" (3.52)
	Brakes off	13' 9" (4.18)
4WD-disengaged, ft/in (m)	Brakes on	12' 3" (3.72)
	Brakes off	12' 11" (3.92)

Note: Turning diameter dimensions are curb to curb w/82" (2.08 m) general purpose bucket.

TIRES	
Front	2WD-11 L x 16.1, 10-ply rating 4WD-12 L x 16.5, 8-ply rating
Rear	2/4 WD-17.5 L x 24, 10-ply rating STD 2/4 WD-19.5 L x 24, 10-ply rating OPT

U80C SPECIFICATIONS

BASE & OPTIONAL EQUIPMENT

SERVICE CAPACITIES	
Fuel tank, gal (L)	30 (114)
Hydraulic system, gal (L)	
Total	19 (72)
Reservoir w/filter	15.3 (58)
Reservoir w/o filter	14.8 (56)
Transmission, gal (L)	
2WD Total system	4.5 (17)
4WD Total system	5.25 (20)
4WD Front axle, qt (L)	
Differential	5.8 (5.5)
Planetaries (each)	0.75 (0.7)
Rear Axle, qt (L)	
Differential	14.4 (13.6)
Planetaries (each)	1.6 (1.5)
Engine oil w/filter, qt (L)	8.5 (8)
Cooling system, qt (L)	17 (16.1)

3 POINT HITCH	
Category I & II 3-point hitch	
Hydraulic lift, pitch, tilt and (2) auxiliary remote	
Variable flow from 0 to 8 gpm (0 to 30 L/min)	
485 lbs (220 kg) counterweight included with hitch	
3-point Hitch Lift Capacity	
Hitch position, in (mm)	lbs (N)
Lowest point	2,500 (11 121)
1/5	3,247 (14 444)
2/5	3,400 (15 125)
3/5	3,501 (15 574)
4/5	3,297 (14 666)
Highest point	2,984 (13 274)

Note: Hitch position is vertical distance of lowest hitch point above ground.

WEIGHT	
Base Unit* with added options	10,916 lbs
Cab	+646 lbs
4WD	+218 lbs
3,000 lbs (counterweight)	+3,000 lbs
500 lbs Rear (counterweight)	+500 lbs
440 lbs Front (counterweight)	+440 lbs
Box Scraper	+1,592 lbs
4-in-1 Bucket	+717 lbs

*Unit configuration: 82" standard bucket, 2WD, 19.5L x 24 rear tires, ROPS cab, Suspension seat, dual batteries, no operator.

BASE EQUIPMENT	
ENGINE F5HFL463D*F005 Turbocharged Automatic fan belt tensioner Integral engine oil cooling Fuel filter with water trap Dual element air cleaner 120 amp alternator 850 CCA 12-volt battery Heavy duty radiator Particulate Matter Catalyst - Spark arresting	Two Accessory power plugs (30 amp) Anti-vandalism covers Beverage holder Coat hook w/tether strap Interior rear-view mirror 2" (51 mm) retractable seat belt Storage box
POWERTRAIN 4WD – 2WD 4F/4R Power shuttle synchromesh transmission Torque converter Transmission de-clutch Electro-hydraulic differential lock Hydrostatic steering Outboard wet disc brakes	INSTRUMENTS Gauges — back lit Engine water temperature Converter oil temperature Fuel Tachometer/hourmeter Voltmeter Warning lights Air cleaner restriction Alternator Engine oil pressure Hydraulic oil filter bypass Parking brake engagement Rear axle fluid temperature sensing system Low fuel A/C high pressure Cold start Water in fuel Master warning Master stop Audible alarms Coolant temperature Engine oil pressure Parking brake engagement Shuttle engagement Backup alarm Regeneration Converter oil temp Turn signal indicators Horn
HYDRAULICS 2 spool loader control valve 4 spool 3-point hitch control valve Heavy-duty oil cooler Flip forward hood Lights: 2 halogen headlights 2 rear flood 2 rear tail and stop 2 front flashers/turn 2 rear flashers/turn	
OPERATOR ENVIRONMENT ROPS/FOPS canopy Key start Hydrostatic steering Standard seat w/15° right, 30° right Foot throttles* Loader control lever w/push button activation of differential lock and transmission de-clutch	

OPTIONAL EQUIPMENT	
OPERATOR STATION Cab w/ Heat Cab w/ Heat and Air Conditioning Vinyl Suspension Seat w/ Armrest (Std. on 4 wheel drive) Hand Throttle	LOADER Loader Auxiliary Hydraulics and Controls (3 spool loader valve) Pin-On Multipurpose (4X1) 82" Loader Bucket w/ Cutting Edge (includes auxiliary hydraulics) Hydraulic Quick Coupler (From FFC, includes auxiliary hydraulics, 3 spool valve)
ENGINE Dual Batteries	OTHER Drawbar Tool Box 84" Box Scraper Rear Counterweight (3,000 lbs) Additional Stackable Rear Counterweights (475 lbs) 19.5 x 24 10PR Rear Tires Wheel weights - good Wide Seat Belt, 3" (75 mm)
HYDRAULICS Laser-Ready Valve Kit (includes valve, plumbing, and electrical harness) 5 Spool, Dual Tilt Cylinders w/ Return to Position, Load Holding Valve, and 3 Point Hitch Control 3 Point Hitch w/ PTO Hydraulic Pump (required when installing or using an hydraulic PTO) Glide Ride	

World Class Products Demand World Class Dealers



The purchase of a New Holland machine is just the beginning of our relationship together. Consider your experienced New Holland Construction equipment dealer as your local partner in productivity. Assistance in selecting the right model for your operation and developing an affordable leasing or financing plan through New Holland's financing division, CNH Industrial Capital, are just a few advantages your local dealer can provide.

Your New Holland dealer's full service capabilities bring you responsive support with genuine New Holland parts and all makes

coverage. More importantly, we are there wherever and whenever you need us with our fully equipped service vehicles. From customized maintenance programs to professional operator and technical training, our factory-trained service and parts experts are there to assist you with any of your equipment support needs.

Your business deserves nothing less than world class products, supported by a world class business partner. That's your local New Holland Construction equipment dealer — your partner in productivity.



Learn more at www.newholland.com

New Holland Construction
500 Diller Ave.
New Holland, PA 17557

www.newholland.com

Design, materials and/or specifications are subject to change without notice and without liability therefor. Specifications are applicable to units sold in Canada, the United States, its territories and possessions, and may vary outside these areas.

© 2019 CNH Industrial America LLC. All rights reserved. New Holland is a trademark in the United States and many other countries, owned by or licensed to CNH Industrial N.V., its subsidiaries or affiliates. Any trademarks referred to herein, in association with goods and/or services of companies other than CNH America LLC, are the property of those respective companies.



Safety begins with a thorough understanding of the equipment. Always make sure you and your operators read the Operator's Manual before using the equipment. Pay close attention to all safety and operating decals and never operate machinery without all shields, protective devices and structures in place. This is a one-person machine. Never allow riders in the cab, outside the machine, or in/on any bucket or attachment.

NHC3614546 • 0319 • OTP • PRINTED IN U.S.A.