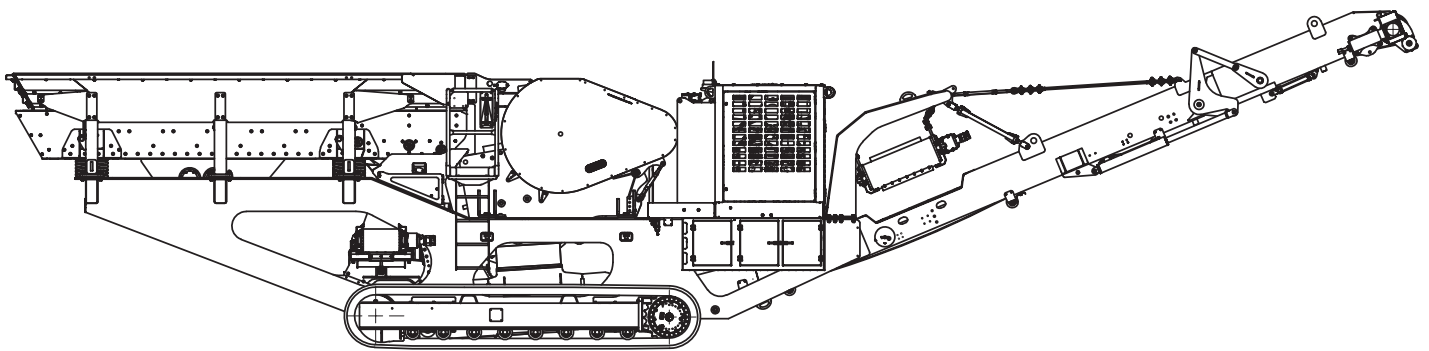


Track-Mounted Plants



Pioneer Jaw

Our track-mounted jaw plants are built for maximum jaw crushing mobility. Featuring Pioneer Series Jaw Crushers, these plants offer up to 25% more capacity than competitive models and are equally effective in aggregate or recycling applications. These plants allow stationary and portable producers to benefit from on-site mobility.



Large Flywheels

Large, dynamically-balanced flywheels reduce peak horsepower requirements and yield lower cost-per-ton product.

Class-Leading Stroke

The class-leading, 1 1/2"-stroke offers faster throughput for higher capacity.

Ease of Access

Easy access to all controls provides quick setup, smooth operation and simplified maintenance.

CAT Power Units

CAT power units offer unparalleled reliability and performance.

Durable Construction

Equipped as standard with T1 feed hoppers and a fabricated tubular frame construction for maximum durability.

Overload Protection System

Our Overload Protection System monitors engine loads and hydraulic circuit pressures to maximize production.

Track-Mounted Family

Our series of track-mounted jaw crushers can be operated independently or easily combined in circuits with other track-mounted products.



Model	Crusher		Feeder		Capacity		Plant Weight	
	Inches	Millimeters	Inches x Feet	Millimeters	TPH	MTPH	Pounds	Kilograms
GT125	27 X 42	686 X 1,067	40 X 14	1,016 X 4,267	325	295	81,000	36,741
FT2650	26 X 50	660 X 1,270	50 X 15	1,270 X 4,572	400	363	96,000	43,545
FT3055	30 X 55	762 X 1,397	50 X 18	1,270 X 5,486	700	635	124,000	56,245

Available as



Track-Mounted



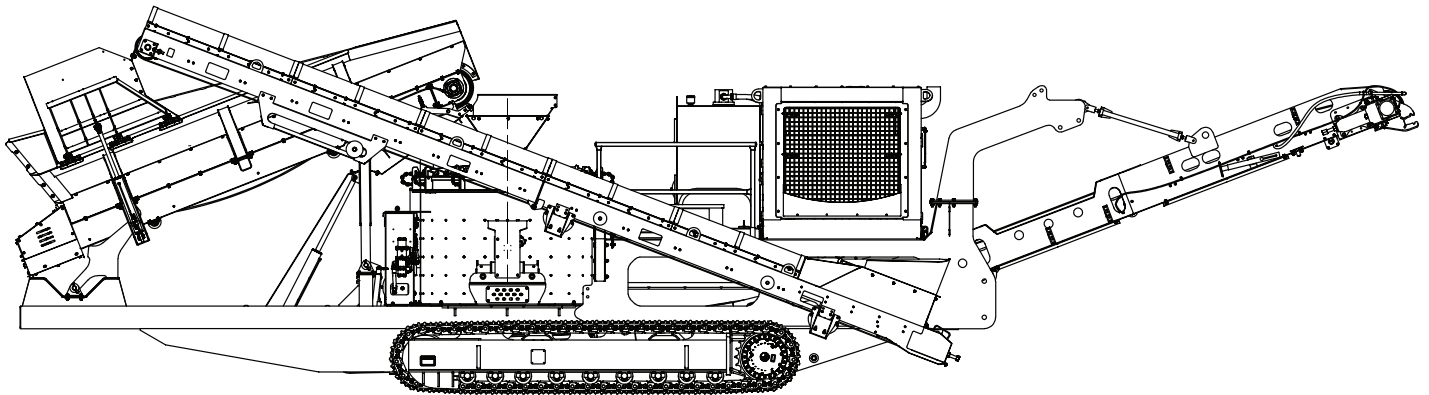
Portable



Stationary

Vertical Shaft Impactor

Our track-mounted vertical shaft impactor plants are built to produce quality sand and aggregate products. Designed as a high-capacity plant capable of producing up to 300 tons per hour, this plant delivers highly-consistent end products with excellent particle shape for jobs that demand precision. With the ability to run in standard, semi-autogenous and fully-autogenous configurations, our track-mounted impactor plant meets the most stringent material specs, allowing producers to meet the challenges of any job they face.



Product Quality

These plants are capable of delivering highly-consistent end products with excellent particle shape, allowing producers to meet the most stringent material specs and tackle any job they face.

Twin Hydraulic Drive

Twin hydraulic drive allows tip speed to be fully adjustable from automated control panel, providing easy speed adjustment from the control panel and allowing producers to fine tune product gradation and cubicity.

Ease of Use

Power-lift hydra-arm system for crusher lid and self-contained low pressure bearing oil lube system provides simplified maintenance.

CAT Engine

Caterpillar C13 Tier 4 Engine meets the latest emission requirements and offers reliability and performance.

Track-Mounted Family


Our series of track-mounted vertical shaft impactors can be operated independently or easily combined in circuits with other track-mounted products.




Model	Crusher Diameter		Belt Feeder		Capacity		Plant Weight*	
	Inches	Millimeters	Inches x Feet	Millimeters	TPH	MTPH	Pounds	Kilograms
FT2500	72.375	1,838	42 x 16	1,067 x 4,876	300	272	72,000	32,658

*Plant weight listed without return conveyor.


Available as



Track-Mounted



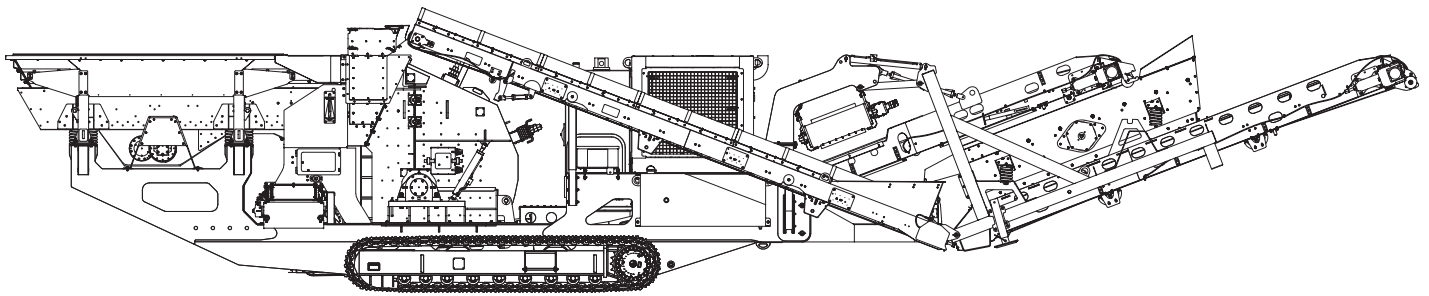
Portable



Stationary

Andreas HSI

Our track-mounted impactor plants are the only continuously crushing and tracking impactors on the market. Featuring Andreas Series Impact Crushers, these plants deliver up to 25% more production and up to 30% more uptime than competitive models. Delivering dramatically superior performance with an easily adjustable interface, aggregate producers and recyclers alike will benefit from the availability of open- or closed-circuit configurations, complete with a screen and recirculating conveyor.



Continuous Crushing and Tracking

Larger screens on closed-circuit plants and the ability to crush while tracking provide up to 50% more capacity than comparable models.

Maximum Performance Rotor

A large reduction ratio is achieved with our maximum performance rotor, available in 3- and 4-bar configurations.

Durable Construction

Equipped as standard with T1 feed hoppers and a fabricated tubular frame construction for maximum durability.

CAT/Cummins Power Units

CAT/Cummins power units offer reliability and performance.

Ease of Use and Portability

Easy access to all controls allows for quick setup, operation and maintenance. Ability to produce final product with single machine reduces transportation costs and minimizes footprint.

Overload Protection System

Our Overload Protection System monitors engine loads and hydraulic circuit pressures to maximize production.

Track-Mounted Family

Our series of track-mounted impactors can be operated independently or easily combined in circuits with other track-mounted products.



Model	Crusher		Feeder		Capacity		Plant Weight	
	Inches	Millimeters	Inches x Feet	Millimeters	TPH	MTPH	Pounds	Kilograms
GT440CC	42 x 40	1,067 x 1,016	40 x 14	1,016 x 4,267	400	363	97,000	44,000
GT440OC	42 x 40	1,067 x 1,016	40 x 14	1,016 x 4,267	400	363	82,700	37,500
FT4250CC	42 x 50	1,067 x 1,270	50 x 15	1,270 x 4,572	400	363	112,500	51,029
FT4250OC	42 x 50	1,067 x 1,270	50 x 15	1,270 x 4,572	400	363	99,000	44,906
FT5260	52 x 60	1,321 x 1,524	50 x 18	1,270 x 5,486	750	680	125,000	56,699

Available as



Track-Mounted



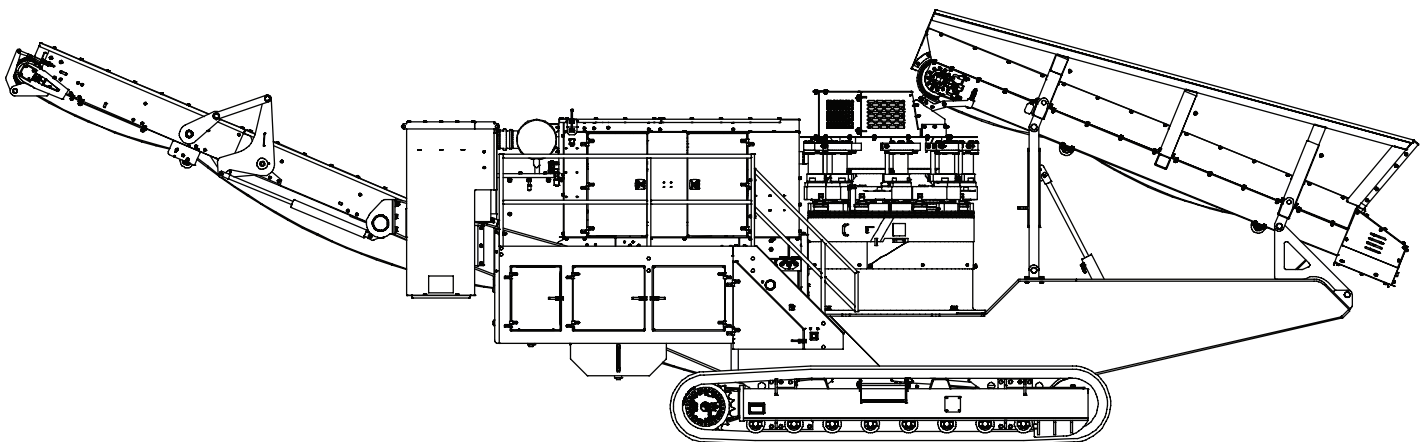
Portable



Stationary

Cones

Our track-mounted cone plants are engineered for maximum cone crushing productivity. The unique roller bearing design on the Kodiak® Plus and LS Cone Crusher generates higher efficiencies and reduces operating expenses by up to 50%. Mobile and stationary producers alike will benefit from quick, on-site movement.



Ideal Stroke and Speed

An ideal combination of geometry, stroke and speed deliver an aggressive crushing action and increased capacity.

Tramp Iron Relief System

A patented Tramp Iron Relief System protects the crusher from costly failures by minimizing crusher overload impact shock loads transmitted to the crusher components.

Ease-of-Use and Portability

Minimal electronics ensure easy maintenance and troubleshooting. A low-profile and compact design allows for easy access to all controls for setup.

Liner Flexibility

A large range of liners are available to suit various applications.

Durable Construction

Heavy-duty tracks combined with a fabricated I-beam frame construction provide maximum durability.

CAT/Cummins Power Units

CAT/Cummins power units offer reliability and performance.

Track-Mounted Family

Our series of track-mounted cone crushers can be operated independently or easily combined in circuits with other track-mounted products.



	Crusher	Belt Feeder		Capacity		Plant Weight	
Model		Inches x Feet	Millimeters	TPH	MTPH	Pounds	Kilograms
GT200	1200LS	42 x 16	1,067 x 4,876	385	347	85,000	38,550
FT200DF	K200+	42 x 16	1,067 x 4,876	400	363	83,000	37,648
FT300DF	K300+	42 x 16	1,067 x 4,876	460	417	96,000	43,548
FT400DF	K400+	48 x 16	1,219 x 4,876	625	567	116,000	52,600

Available as



Track-Mounted



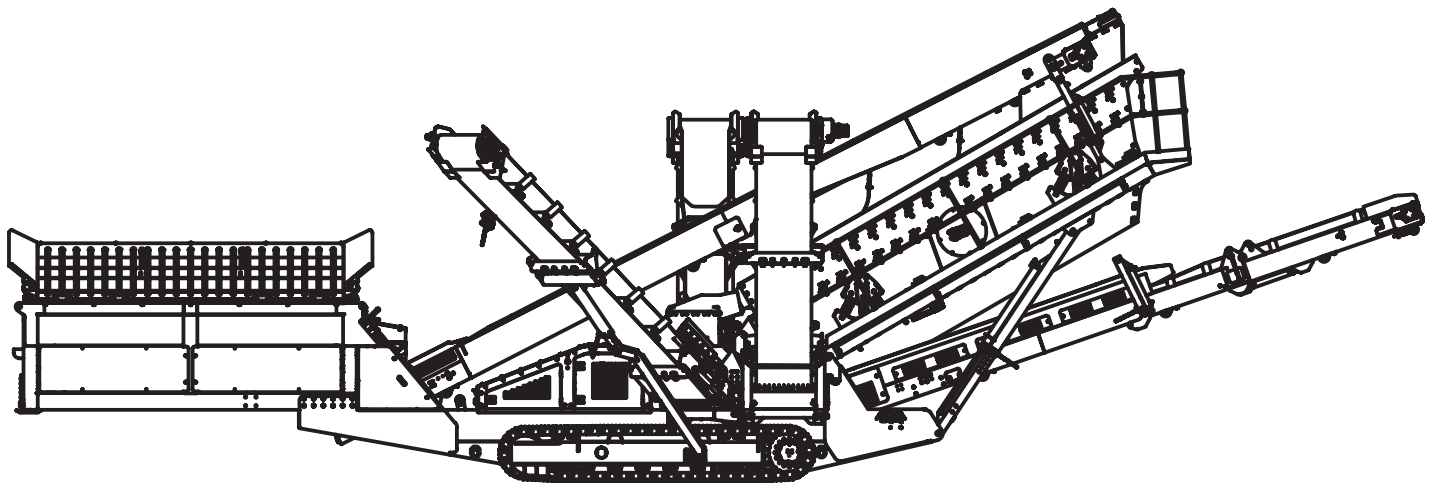
Portable



Stationary

Screens

Our track-mounted screens are engineered to provide higher production capacities and more efficient sizing than comparable screens. From horizontal and inclined screens to high frequency screens, we offer equipment that fits each operation's unique needs. Our track-mounted screen plants combine heavy-duty screens with industry-leading conveyor heights. A large range of media provides flexibility for a variety of applications.



Industry-Leading Conveyor Heights

These plants combine heavy-duty screens with industry-leading conveyor heights for maximum stockpile capacity. A large range of media provides flexibility for a variety of applications.

Durable Construction

Heavy-duty tracks combined with a fabricated channel frame construction offers maximum durability. Hardox wear plates fitted as standard.

CAT Power Units

CAT power units offer unparalleled reliability and performance.

Ease-of-Use and Portability

Minimal electronics ensure easy maintenance and troubleshooting. A low-profile and compact design allows for easy access to all controls for setup.

Track-Mounted Family


Our series of track-mounted screens can be operated independently or easily combined in circuits with other track-mounted products.




Model	Screen Size		Number of Decks	Capacity		Plant Weight	
	Feet	Millimeter		TPH	MTPH	Pounds	Kilograms
GT145S	5 x 14	1,524 x 4,267	2 or 3	450	405	71,000	32,205
GT205S*	5 x 20	1,524 x 6,096	2 or 3	600	540	82,800	37,558
FT2618V	6 x 18	1,829 x 5,486	2	350	318	62,000	28,123
FT2618VM	6 x 18	1,829 x 5,486	2	350	318	60,000	27,216
FT3620	6 x 20	1,829 x 6,096	3	700	635	81,000	36,741

*GT205 also available as a multi-frequency screen.


Available as



Track-Mounted



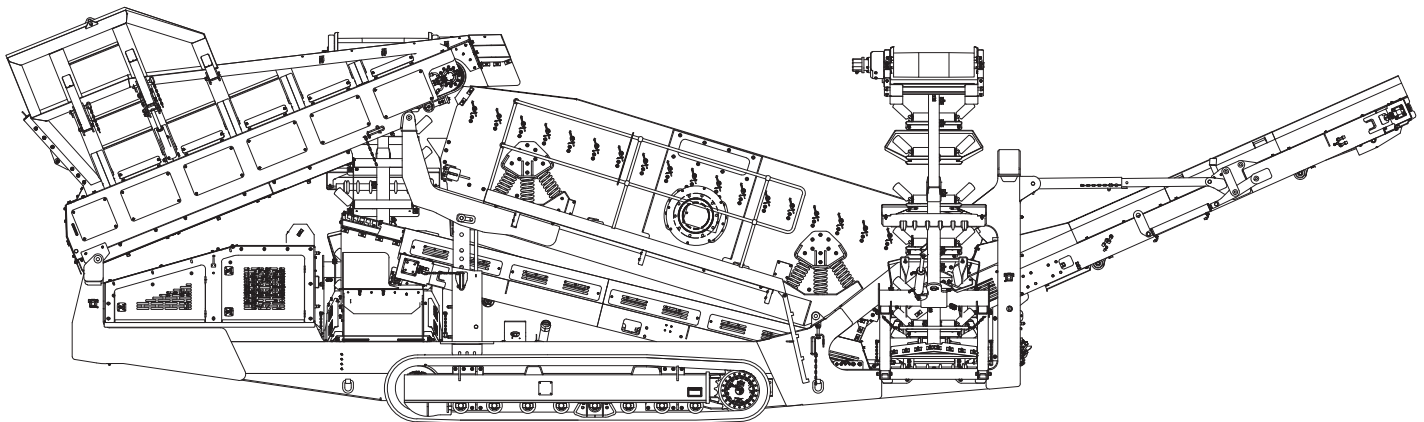
Portable



Stationary

Direct Feed Screens

Our track-mounted direct-feed screens provide a rugged screening tool in a highly-mobile configuration. These versatile screens can handle high volumes of material in both scalping and sizing applications. Our direct-feed screens can be equipped with an array of screen media choices, including standard woven wire, punch plate, grizzly decks and finger decks. These screening plants are the perfect tool for overburden, scalping ahead of or behind a primary crusher, as well as screening an array of materials from aggregates to recycled materials to organics.



Industry-Leading Conveyor Heights

These plants combine heavy-duty screens with industry-leading conveyor heights for maximum stockpile capacity.

Ease-of-Use and Portability

Minimal electronics ensure easy maintenance and troubleshooting. A low-profile and compact design allows for easy access to all controls for setup.

Application Flexibility

A large, interchangeable range of media provides flexibility for a variety of applications.

Durable Construction

Heavy-duty tracks combined with a fabricated channel frame construction provide maximum durability. Hardox feed hopper and wear plates fitted as standard.

CAT/Cummins Power Units

CAT/Cummins power units offer reliability and performance.

Track-Mounted Family

Our series of track-mounted direct feed screens can be operated independently or easily combined in circuits with other track-mounted products.



Model	Screen Size		Number of Decks	Capacity		Plant Weight	
	Feet	Millimeter		TPH	MTPH	Pounds	Kilograms
GT104	4 x 9	1,219 x 2,743	2	220	200	35,000	15,876
GT165	5 x 16	1,524 x 4,877	2	500	450	75,000	34,019
GT206	6 x 20	1,829 x 6,096	2	700	635	84,000	38,102
FT6203CC*	6 x 20	1,829 x 6,096	3	800	726	86,000	39,009
FT6203OC	6 x 20	1,829 x 6,096	3	800	726	83,000	37,648

Media Available

Punch plate top deck up to 5"

Wire cloth top deck up to 4"

Grizzly bar top deck 3", 4", 5", 6"

Finger bar top deck 1 1/2", 2", 3", 4", 5", 6"

*FT6203CC does not come standard with a feeder.

Available as



Track-Mounted



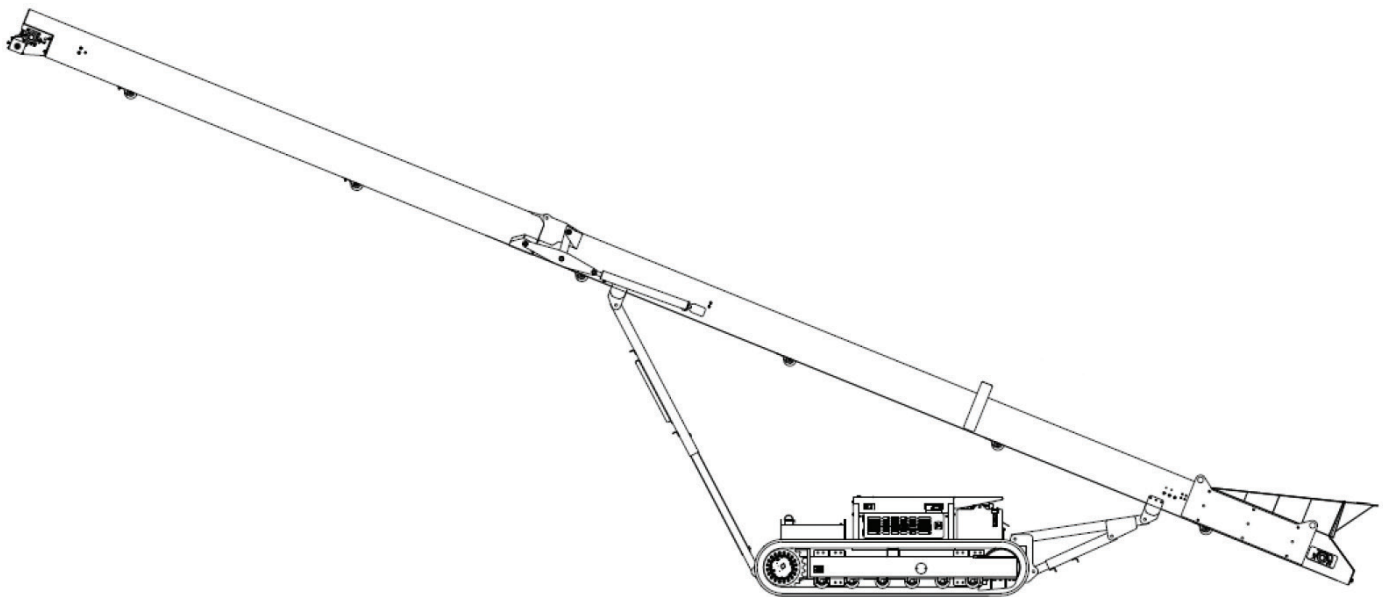
Portable



Stationary

Conveyors

Heavy-duty track-mounted conveyors reduce the need for hauling on site and are ideal for crushing and screening applications. With a variety of tracked stockpiling conveyor options, these products offer mobility and flexibility for a wide range of applications including stockpiling and truck loading.



Self-Contained Power Units

Self-contained power units offer reliability and performance.

Durable Construction

Heavy-duty tracks combined with a fabricated channel frame construction maximizes durability. Hardox feed hopper and wear plates fitted as standard.

Ease-of-Use and Portability

Minimal electronics ensure easy maintenance and troubleshooting. A low-profile and compact design allows for easy access to all controls for setup.

Maximum Stockpile Capacity

Conveyors offer maximum stockpile capacity and eliminate or reduce truck hauling and loader use, leading to reduced fuel, maintenance and labor costs.


Track-Mounted Family

Our series of track-mounted conveyors can be operated independently or easily combined in circuits with other track-mounted products.




Model	Belt Conveyor		Capacity		Plant Weight	
	Inches x Feet	Millimeters x Meters	TPH	MTPH	Pounds	Kilograms
GT3660	36 x 60	914 x 18.28	500	453	22,450	10,183
GT3680	36 x 80	914 x 24.38	500	453	30,865	14,000
GT3680R	36 x 80	914 x 24.38	500	453	33,070	15,000


Available as



Track-Mounted



Portable



Stationary



Kolberg-Pioneer, Inc.

700 West 21st Street
Yankton, SD 57078 USA
P: (800) 542-9311 | (605) 665-9311
F: (605) 665-8858

Johnson Crushers International, Inc.

86470 Franklin Boulevard
Eugene, OR 97405 USA
P: (800) 314-4656 | (541) 736-1400
F: (541) 736-1424

Astec Mobile Screens, Inc.

2704 West LeFevre Road
Sterling, IL 61081 USA
P: (800) 545-2125 | (815) 626-6374
F: (815) 626-6430

www.kpijci.com

Because Kolberg-Pioneer, Inc., Johnson Crushers International, Inc. and Astec Mobile Screens, Inc. may use in their catalog and literature, field photographs of their products which may have been modified by the owners, products furnished by Kolberg-Pioneer, Inc., Johnson Crushers International, Inc. and Astec Mobile Screens, Inc. may not necessarily be as illustrated therein. Also continuous design progress makes it necessary that specifications be subject to change without notice. All sales of the products of Kolberg-Pioneer, Inc., Johnson Crushers International, Inc. and Astec Mobile Screens, Inc. are subject to the provisions of their standard warranty. Kolberg-Pioneer, Inc., Johnson Crushers International, Inc. and Astec Mobile Screens, Inc. do not warrant or represent that their products meet any federal, state, or local statutes, codes, ordinances, rules, standards or other regulations, including OSHA and MSHA, covering safety, pollution, electrical wiring, etc. Compliance with these statutes and regulations is the responsibility of the user and will be dependent upon the area and the use to which the product is put by the user. In some photographs, guards may have been removed for illustrative purposes only. This equipment should not be operated without all guards attached in their normal position. Placement of guards and other safety equipment is often dependent upon the area and how the product is used. A safety study should be made by the user of the application, and, if required additional guards, warning signs and other safety devices should be installed by the user, wherever appropriate before operating the products.

NOTE: SPECIFICATIONS ARE SUBJECT TO CHANGE WITHOUT NOTICE

Rev. 6/19