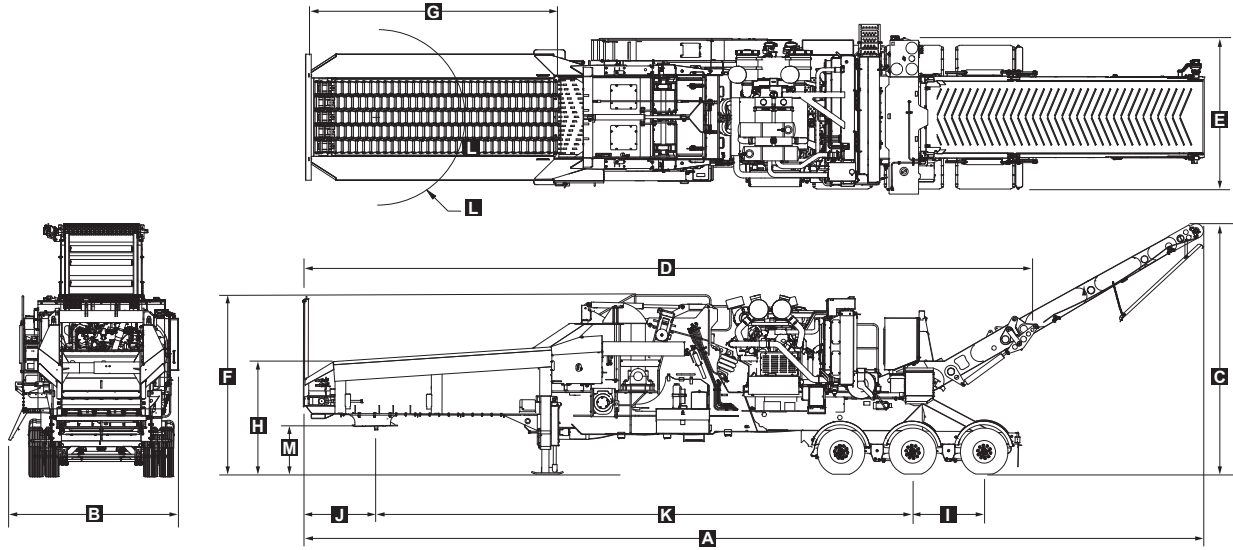


# 6700D

## Peterson Horizontal Grinder



### DIMENSIONS

<b>A</b> Operating Length	62' 11" (19 m)
<b>B</b> Operating Width	11' 10" (361 cm)
<b>C</b> Operating Height	17' 6" (534 cm)
<b>D</b> Travel Length	51' (1562 cm)
<b>E</b> Travel Width	11' 1" (338 cm)
<b>F</b> Travel Height	13' (395 cm)
<b>G</b> Hopper Length	17' 6" (533 cm)
<b>H</b> Hopper Height	8' 9" (267 cm)
<b>I</b> Axle Spacing	60" (53 cm)
<b>J</b> Front to 5th Wheel	5' 2" (157 cm)
<b>K</b> 5th Wheel to Center Axle	37' 6" (1143 cm)
<b>L</b> 5th Wheel Clearance Radius	6' (183 cm)
<b>M</b> 5th Wheel Height	4' 2" (127 cm)

### WEIGHT

Machine Weight	98,000 lbs (44,452 kg)
Tri-Axle Weight	56,820 lbs (25,773 kg)

### POWERTRAIN

Engine	Caterpillar	C32 Tier IV, 1125 hp (839 kW)
	export only	Caterpillar C32 Tier II, 1125 hp (839 kW)
Clutch		PT Tech HPTO 15FX
Fuel Tank Capacity		414 US gal (1567 L)
Main Hydraulic Tank Capacity		95 US Gal (360 L)

### SYSTEM CONTROLS

Peterson Adaptive Control System  
 Remote Control  
 Peterson+ Analytics

### FEED SYSTEM

Hopper Capacity	11 yd <sup>3</sup> (8.4m <sup>3</sup> )
Feed Chain	5 sections, full hopper width
Feed Opening (width x height)	66" x 50" (168 x 127 cm)
Land Clearing Mode	66" x 65" (168 x 165 cm)
Compression Roll diameter (tip to tip)	42" (107 cm)

### ROTOR

Rotor Speed	840 rpm @ 2100 rpm (engine)
Rotor Shaft Size	6 5/8" (17 cm) @ bearing, 7 1/2" (19 cm) @ center
Rotor Width	69" (176 cm)
Rotor Diameter	47" (118 cm)
Bit Size (width x height)	3 x 6.5" (76 mm x 165 mm)
Number of Bits	22 drum rotor, 20 pinned rotor

### GRATES

Number of Grate Sections	4
Total Grate Area	5253 in <sup>2</sup> (33890 cm <sup>2</sup> )
Grate Coverage	186°
Grate Thickness	1.5" (38 mm)

### DISCHARGE SYSTEM

Discharge Conveyor Width	60" (152 cm)
Discharge Conveyor Height	14' 9" (451 cm)
Conveyor Speed	500, 600, or 700 fpm (152,183, or 213 mpm)

### PRODUCTION\* PER HOUR

Engine	Greenwaste	Scrap Board
C32	583 yd <sup>3</sup> (446 m <sup>3</sup> ) 170 tons (154 tonnes)	653 yd <sup>3</sup> (499 m <sup>3</sup> ) 111 tons (101 tonnes)

\*Actual output may vary due to moisture, material density, material size, support equipment, and grate size. Production rates are based on grinding 50 minutes per hour.

### OPTIONAL EQUIPMENT

Crossbelt Magnet	Cold Weather Kit
Scrap Metal Collection Box	LED Work Lights
Magnetic Head Pulley	
Air Compressor	



1725 Shepherd Road • Chattanooga, TN 37421 USA • [www.astecindustries.com](http://www.astecindustries.com)

Specifications vary based on optional equipment and machine configuration and are subject to change without notice. Measurements are rounded to the nearest whole increment.



CMS20210505