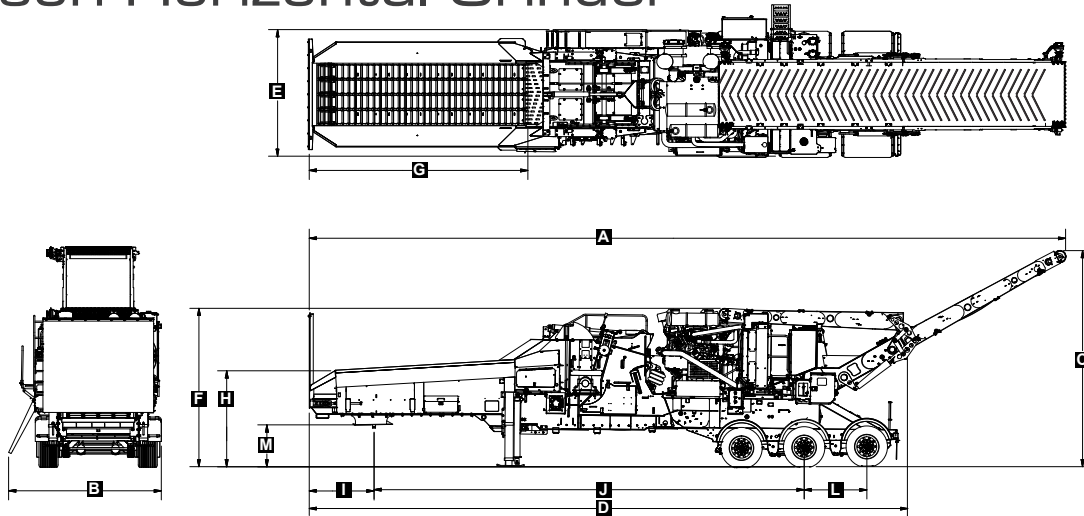


5700D

Peterson Horizontal Grinder



DIMENSIONS

A Operating Length	60' 5" (1842 cm)
B Operating Width	11' 11" (372 cm)
C Operating Height	17' 3" (526 cm)
D Travel Length	47' 10" (1547 cm)
E Travel Width	10' 1" (307 cm)
F Travel Height	12' 8" (386 cm)
G Hopper Length	17' 5" (532 cm)
H Hopper Height	7' 8" (234 cm)
I Front to 5th Wheel	5' 2" (157 cm)
J 5th Wheel to Center Axle	34' 4" (1046 cm)
K Axle Spacing	5' 0" (152 cm)
L 5th Wheel Clearance Radius	8' 0" (243 cm)
M 5th Wheel Height	3' 4" (101 cm)

WEIGHT

Machine Weight	82,000 lbs (37 195 kg)
Tri-Axle Weight	54,000 lbs (24 494 kg)

POWERTRAIN

Engine	Caterpillar C27 Tier IV, 1050 hp (772 kW) C32 Tier IV, 1125 hp (839 kW)
<i>export only</i>	Caterpillar C27 Tier II, 1050 hp (772 kW)
Clutch	PT Tech HPTO15FX
Fuel Tank Capacity	340 US gal (1287 L)
Main Hydraulic Tank Capacity	98 US gal (371 L)

SUSPENSION & TOWING

Stabilizers	2 hydraulic
Tires	295/75R22.5

SYSTEM CONTROLS

Peterson Adaptive Control System
Radio Remote
Peterson+ Analytics



1725 Shepherd Road • Chattanooga, TN 37421 USA • www.astecindustries.com

Specifications vary based on optional equipment and machine configuration and are subject to change without notice. Measurements are rounded to the nearest whole increment.

FEED SYSTEM

Hopper Capacity	7yd ³ (5.4 m ³)
Feed Chain	4 sections, full hopper width
Feed Conveyor Width	5' 0" (152 cm)
Feed Opening (width x height)	60" x 40" (152 x 102 cm)
Land Clearing Mode	60" x 55" (152 x 140 cm)
Compression Roll diameter (tip to tip)	36" (91 cm)

ROTOR

Rotor Shaft Size	6.6" (168 mm) @ bearing, 7.5" (191 mm) @ center
Rotor Speed	from 6000 to 12000 fpm (1829 to 3658 mpm)
Rotor Width	64" (161 cm)
Rotor Diameter	40" (102 cm)
Bit Size (width x height)	3" x 6.5" (76 x 165 mm)
Number of Bits	20 drum rotor, 18 pinned rotor

GRATES

Number of Grate Sections	4
Total Grate Area	28 ft ² (29.9 m ²)
Grate Coverage	182°
Grate Thickness	1.25" (32 mm)

DISCHARGE SYSTEM

Discharge Conveyor Width	60" (152 cm)
Discharge Conveyor Height	16' 6" (503 cm)
Conveyor Speed	500, 600, 700 ft/min (152, 183, 213 mpm)

PRODUCTION* PER HOUR

Engine	Green Waste	Scrap Board
C27	501 yd ³ (383 m ³)	591 yd ³ (452 m ³)
	138 US tons (125 tonnes)	90 tons (82 tonnes)

*Actual output may vary due to moisture content, material density and size, support equipment, and grate size. Production rates are based on operating 50 minutes per hour.

OPTIONAL EQUIPMENT

R+ Package	Air Compressor
Feed Chain Return Pan	Grate Hangers
Feed Tailgate	Cold Weather Kit
Crossbelt Magnet	LED Work Lights
Magnetic Head Pulley	Short Discharge Conveyor



CMS20210505