

HITACHI

ZX130-7 | ZX135US-7 | Preliminary
ZAXIS-7 series

Reliable solutions



ZAXIS 130

ZAXIS 135

HYDRAULIC EXCAVATOR

Model code: ZX130-7H

Engine rated power, net: 105 hp (78.5 kW)

Operating weight: 30,870–33,951 lb. (14,000–15,400 kg)

Bucket capacity: 0.59–0.77 yd³ (0.45–0.59 m³)

Model code: ZX135US-7H

Engine rated power, net: 105 hp (78.5 kW)

Operating weight: 31,973–35,053 lb. (14,500–15,900 kg)

Bucket capacity: 0.59–0.77 yd³ (0.45–0.59 m³)

SPECIFICATIONS

ENGINE	
Model	Isuzu AR-4JJ1X
Type	4-cycle water-cooled, common rail direct injection
Aspiration	Variable geometry turbocharged, intercooled, cooled EGR
Aftertreatment	DOC + SCR system
No. of cylinders	4
Rated power	
ISO 14396: 2002 gross	105 hp (78.5 kW) at 2,000 min ⁻¹
ISO 9249: 2007 net	100 hp (74.9 kW) at 2,000 min ⁻¹
Maximum torque	277 lbf (375 Nm) at 1,800 min ⁻¹
Piston displacement	183.011 cu. in. (2.999 L)
Bore and stroke	3.8" x 4.1" (95.4 mm x 104.9 mm)
Batteries	2 x 12 V / 58 Ah

HYDRAULIC SYSTEM			
Hydraulic Pumps			
Main pumps	2 variable displacement axial piston pumps		
Maximum oil flow	2 x 31 gal/min (117 L/min)		
Pilot pump	1 gear pump		
Maximum oil flow	8.9 gal/min (33.6 L/min)		
Hydraulic Motors			
Travel	2 variable displacement axial piston motors		
Swing	1 axial piston motor		
Relief Valve Settings			
Implement circuit	4,974.8 psi (34.3 MPa)		
Swing circuit	4,684.7 psi (32.3 MPa)		
Travel circuit	4,974.8 psi (34.3 MPa)		
Pilot circuit	565.6 psi (3.9 MPa)		
Power boost	5,264.9 psi (36.3 MPa)		
Hydraulic Cylinders			
	Quantity	Bore	Rod diameter
Boom	2	4.1" (105 mm)	2.8" (70 mm)
Arm	1	4.5" (115 mm)	3.2" (80 mm)
Bucket	1	3.9" (100 mm)	2.8" (70 mm)

UPPERSTRUCTURE	
Revolving Frame	
D-section frame for resistance to deformation.	
Swing Device	
Axial piston motor with planetary reduction gear is bathed in oil. Swing circle is single-row. Swing parking brake is spring-set/hydraulic-released disc type.	
Swing speed	13.3 min ⁻¹
Swing torque	25,077 lbf (34.0 kNm)

UNDERCARRIAGE	
Tracks	
Heat-treated connecting pins with dirt seals. Hydraulic (grease) track adjusters with shock-absorbing recoil springs.	
Numbers of Rollers and Shoes on Each Side	
Upper rollers	1
Lower rollers	7
Track shoes	44
Track guards	1
Travel Device	
Each track driven by 2-speed axial piston motor. Parking brake is spring-set/hydraulic-released disc type. Automatic transmission system: High-Low.	
Travel speeds	High: 0 to 3.4 mph (0 to 5.5 km/h)
	Low: 0 to 2.0 mph (0 to 3.3 km/h)
Maximum traction force	26,303 lbf (117 kN)
Gradeability	70% (35 degree) continuous

SERVICE REFILL CAPACITIES		
	ZX130-7H	ZX135US-7H
Fuel tank	75.2 gal (285.0 L)	58.1 gal (220.0 L)
Engine coolant	5.5 gal (21.0 L)	5.5 gal (21.0 L)
Engine oil	4.5 gal (17.0 L)	4.5 gal (17.0 L)
Swing device	0.8 gal (3.2 L)	0.8 gal (3.2 L)
Travel device (each side)	1.1 gal (4.2 L)	1.1 gal (4.2 L)
Hydraulic system	48.8 gal (185.0 L)	41.0 gal (155.0 L)
Hydraulic oil tank	18.2 gal (69.0 L)	15.8 gal (60.0 L)
DEF/AdBlue® tank	9.2 gal (35.0 L)	3.2 gal (12.0 L)

ENVIRONMENT		
Engine Emissions	EPA Final Tier 4 / EU Stage IV	
Sounds Level		
Sound level in cab according to ISO 6396: 2008	ZX130-7H	LpA 69 dB(A)
	ZX135US-7H	LpA 69 dB(A)
External sound level according to ISO 6395: 2008 and EU Directive 2000/14/EC	ZX130-7H	LwA 98 dB(A)
	ZX135US-7H	LwA 99 dB(A)

WEIGHTS AND GROUND PRESSURE

Operating Weight and Ground Pressure

			ZX130-7H ^{*1}		ZX130-7H with blade (optional) ^{*1}	
Boom type			Monoblock		Monoblock	
Shoe type	Shoe width, inch (mm)	Arm length, mft-in (m)	lb (kg)	psi (kPa)	lb (kg)	psi (kPa)
Triple grouser	24" (600)	8' 3" (2.52)	30,644 (13,900)	5.22 (36)	33,290 (15,100)	5.80 (40)
		9' 11" (3.01)	30,865 (14,000)	5.37 (37)	33,510 (15,200)	5.80 (40)
	28" (700)	8' 3" (2.52)	31,085 (14,100)	4.64 (32)	33,731 (15,300)	4.93 (34)
		9' 11" (3.01)	31,306 (14,200)	4.64 (32)	33,951 (15,400)	5.08 (35)

*1 Including 0.68 yd³ (0.52 m³) (ISO 7451: 2007 heaped) bucket weight, 904 lb (410 kg) and counterweight, 6,504 lb (2,950 kg).

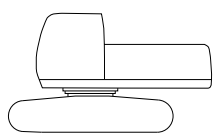
			ZX135US-7H ^{*2}		ZX135US-7H with blade (optional) ^{*2}	
Boom type			Monoblock		Monoblock	
Shoe type	Shoe width, inch (mm)	Arm length, mft-in (m)	lb (kg)	psi (kPa)	lb (kg)	psi (kPa)
Triple grouser	24" (600)	8' 3" (2.52)	31,747 (14,400)	5.51 (38)	34,392 (15,600)	5.95 (41)
		9' 11" (3.01)	31,967 (14,500)	5.51 (38)	34,392 (15,600)	5.95 (41)
	28" (700)	8' 3" (2.52)	32,187 (14,600)	4.79 (33)	34,833 (15,800)	5.08 (35)
		9' 11" (3.01)	32,408 (14,700)	4.79 (33)	35,053 (15,900)	5.22 (36)

*2 Including 0.68 yd³ (0.52 m³) (ISO 7451: 2007 heaped) bucket weight, 904 lb (410 kg) and counterweight, 7,716 lb (3,500 kg)

BASIC MACHINE WEIGHT AND COMPONENTS WEIGHT

Basic Machine Weight and Overall Width

Excluding front end attachment, fuel, hydraulic oil and coolant etc. Including counterweight.



		ZX130-7H		ZX130-7H with blade (optional)	
Shoe Type	Shoe width inch (mm)	Weight lb (kg)	Overall width inch (mm)	Weight lb (kg)	Overall width inch (mm)
Triple grouser	20" (500)	23,810 (10,800)	8' 2" (2,490)	26,235 (11,900)	8' 2" (2,490)
	24" (600)	24,251 (11,000)	8' 6" (2,590)	26,901 (12,200)	8' 6" (2,590)
	28" (700)	24,917 (11,300)	8' 10" (2,690)	27,342 (12,400)	8' 10" (2,690)

		ZX135US-7H		ZX135US-7H with blade (optional)	
Shoe Type	Shoe width inch (mm)	Weight lb (kg)	Overall width inch (mm)	Weight lb (kg)	Overall width inch (mm)
Triple grouser	20" (500)	25 133 (11,400)	8' 2" (2,490)	27,558 (12,500)	8' 2" (2,490)
	24" (600)	25 794 (11,700)	8' 6" (2,590)	28,219 (12,800)	8' 6" (2,590)
	28" (700)	26 235 (11,900)	8' 10" (2,690)	28,660 (13,000)	8' 10" (2,690)

Components Weight

Unit: lb (kg)

	ZX130-7H	ZX135US-7H
Counterweight	6,504 (2,950)	7,716 (3,500)
Monoblock boom (with arm cylinder and boom cylinder)	2,822 (1,280)	2,844 (1,290)
Arm 8' 3" (2.52 m) (with bucket cylinder)	1,455 (660)	1,455 (660)
Arm 9' 11" (3.01 m) (with bucket cylinder)	1,609 (730)	1,609 (730)
Bucket ISO 7451: 2007 0.68 yd ³ (0.52 m ³)	904 (410)	904 (410)

BUCKET AND ARM DIGGING FORCE

Unit: lbf (kN)

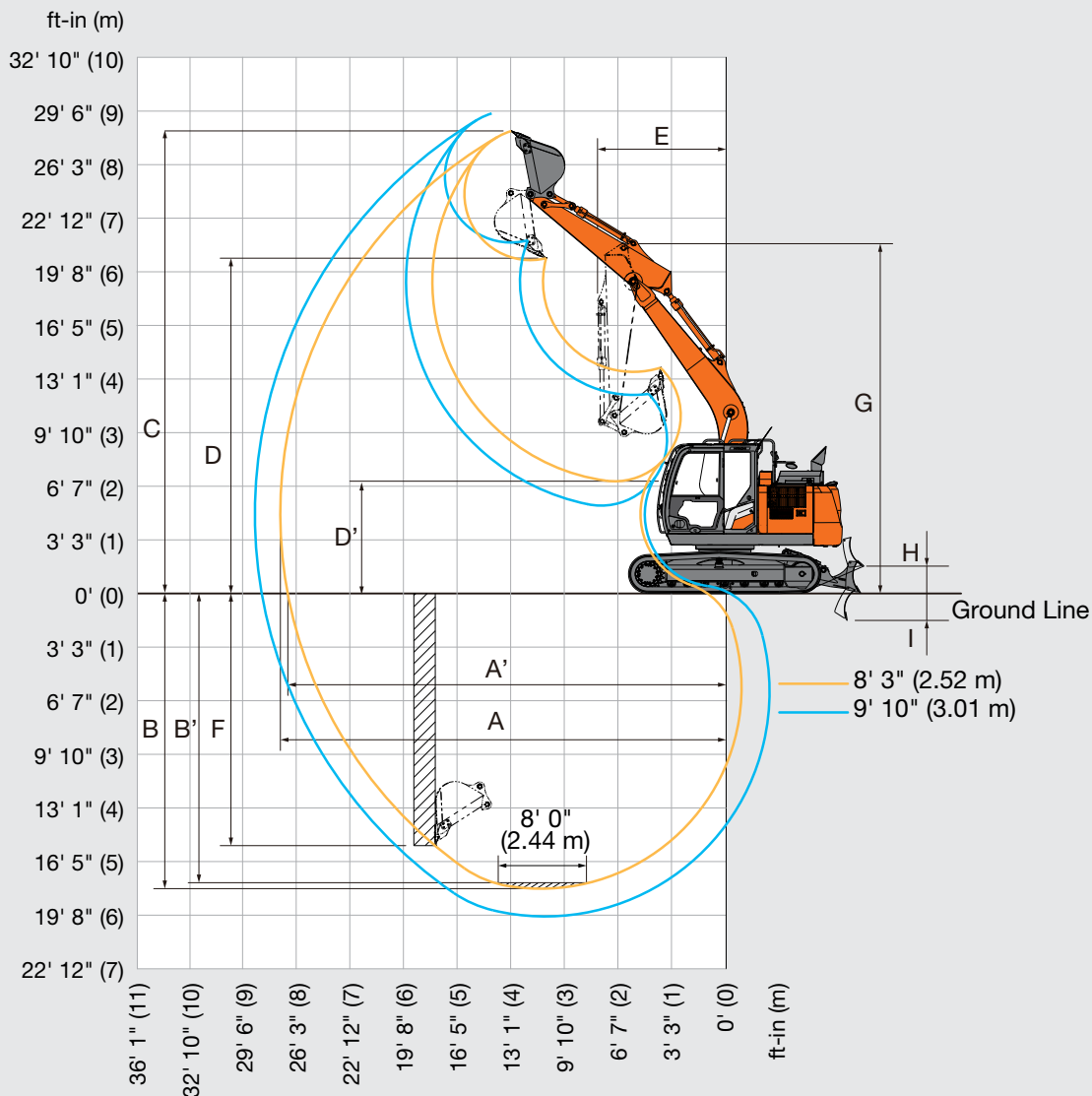
	ZX130-7H		ZX135US-7H	
Arm length	8' 3" (2.52 m)	9' 11" (3.01 m)	8' 3" (2.52 m)	9' 11" (3.01 m)
Bucket digging force* ISO 6015: 2006	23,380 (104)	23,380 (104)	23,380 (104)	23,380 (104)
Arm crowd force* ISO 6015: 2006	15,512 (69)	13,713 (61)	15,512 (69)	13,713 (61)

* At power boost

SPECIFICATIONS

ZX130-7H

WEIGHTS AND GROUND PRESSURE

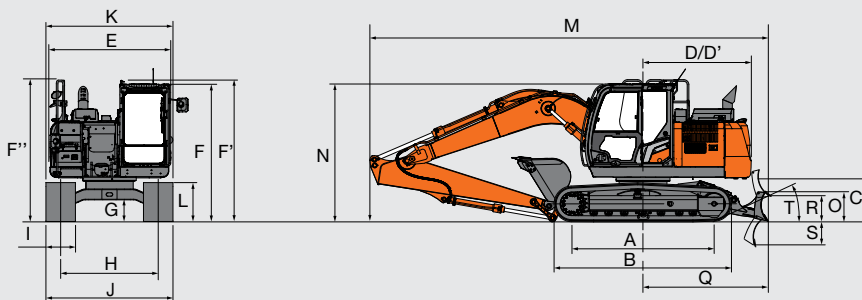
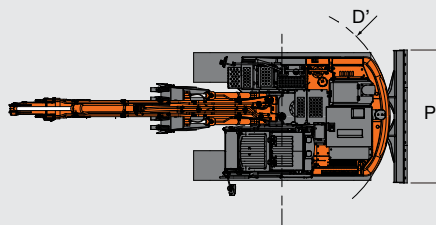


Unit: ft-in (mm)

	ZX130-7H	
	Monoblock boom	
Arm length	8' 3" (2.52 m)	9' 11" (3.01 m)
A Max. digging reach	27' 3" (8,300)	28' 9" (8,770)
A' Max. digging reach (on ground)	26' 10" (8,170)	28' 5" (8,650)
B Max. digging depth	18' 2" (5,540)	19' 9" (6,030)
B' Max. digging depth for 8' 0" (2.44 m) level	17' 5" (5,310)	19' 2" (5,840)
C Max. cutting height	28' 3" (8,600)	29' 4" (8,930)
D Max. dumping height	20' 4" (6,190)	21' 5" (6,520)
D' Min. dumping height	6' 9" (2,070)	5' 3" (1,610)
E Min. swing radius	7' 10" (2,400)	8' 7" (2,620)
F Max. vertical wall digging depth	15' 7" (4,750)	17' 2" (5,220)
G Front height at Min. swing radius	21' 4" (6,500)	21' 6" (6,550)
H Blade bottom highest position above ground	1' 7" (480)	1' 7" (480)
I Blade bottom lowest position above ground	1' 9" (530)	1' 9" (530)

Excluding track shoe lug

DIMENSIONS



Unit: ft-in (mm)

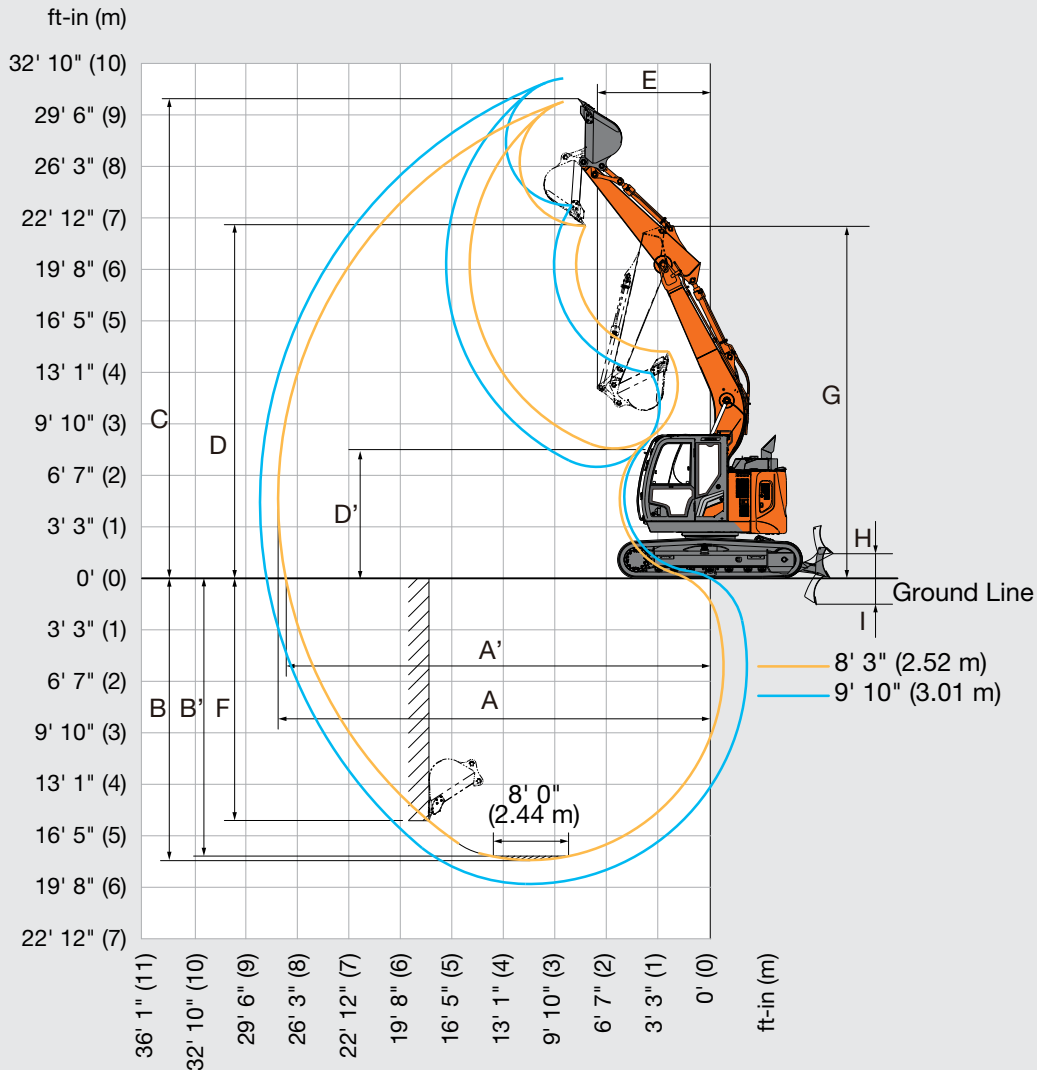
		ZX130-7H
		Monoblock boom
A	Distance between tumblers	9' 5" (2,880)
B	Undercarriage length	11' 9" (3,580)
*C	Counterweight clearance	2' 9" (840)
D	Rear-end swing radius	7' 2" (2,190)
D'	Rear-end length	7' 2" (2,190)
E	Overall width of upperstructure	8' 1" (2,460)
F	Overall height of cab	9' 2" (2,790)
F'	Overall height of handrail	9' 5" (2,870)
F"	Overall height of handrail (on cab)	9' 5" (2,870)
*G	Min. ground clearance	1' 4" (410)
H	Track gauge	6' 6" (1,990)
I	Track shoe width	G 1' 12" (600)
J	Undercarriage width	8' 6" (2,590)
K	Overall width	8' 6" (2,590)
*L	Track height with triple grouser shoes	2' 7" (790)
M	Overall length	
	With Arm 8' 3" (2.52 m)	26' 5" (8,050)
	With Arm 9' 11" (3.01 m)	26' 5" (8,060)
N	Overall height of boom	
	With Arm 8' 3" (2.52 m)	9' 5" (2,870)
	With Arm 9' 11" (3.01 m)	9' 5" (2,870)
O	Blade height	1' 12" (600)
P	Blade width	8' 10" (2,690)
Q	Distance between the front end of blade and the axis of rotation	8' 4" (2,540)
R	Blade maximum lifting	1' 7" (480)
S	Blade maximum lowering	1' 9" (530)
T	Blade approach angle	23°

* Excluding track shoe lug G: Triple grouser shoe

SPECIFICATIONS

ZX135US-7H

WEIGHTS AND GROUND PRESSURE

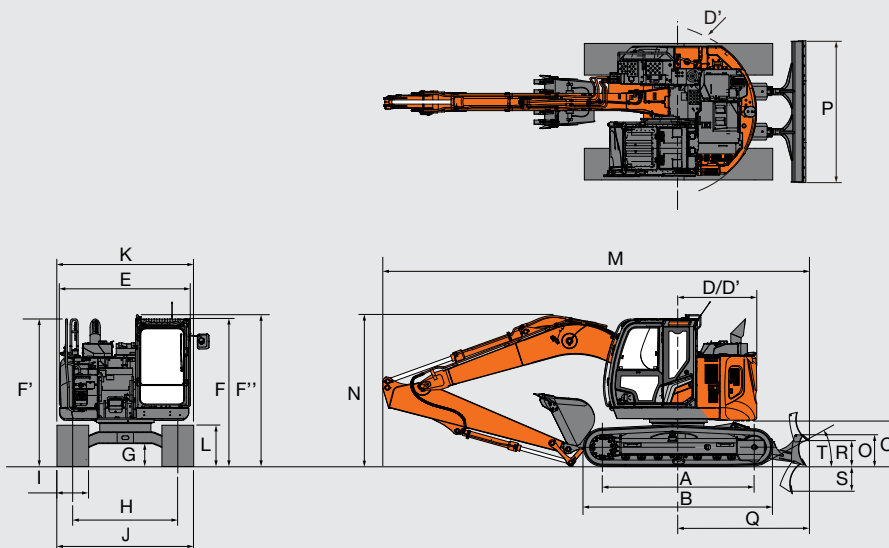


Unit: ft-in (mm)

	ZX135US-7H	
	Monoblock boom	
Arm length	8' 3" (2.52 m)	9' 11" (3.01 m)
A Max. digging reach	27' 6" (8,380)	29' 0" (8,850)
A' Max. digging reach (on ground)	27' 0" (8,240)	28' 7" (8,720)
B Max. digging depth	18' 0" (5,490)	19' 7" (5,980)
B' Max. digging depth for 8' 0" (2.44 m) level	17' 3" (5,270)	18' 12" (5,790)
C Max. cutting height	30' 6" (9,290)	31' 9" (9,680)
D Max. dumping height	22' 5" (6,830)	23' 9" (7,230)
D' Min. dumping height	8' 3" (2,510)	6' 12" (2,130)
E Min. swing radius	7' 2" (2,190)	8' 4" (2,540)
F Max. vertical wall digging depth	15' 5" (4,710)	16' 12" (5,170)
G Front height at Min. swing radius	22' 4" (6,800)	22' 5" (6,820)
H Blade bottom highest position above ground	1' 6" (460)	1' 6" (460)
I Blade bottom lowest position above ground	1' 9" (540)	1' 9" (540)

Excluding track shoe lug

DIMENSIONS



Unit: ft-in (mm)

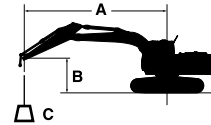
		ZX135US-7H
		Monoblock boom
A	Distance between tumbler	9' 5" (2,880)
B	Undercarriage length	11' 9" (3,580)
*C	Counterweight clearance	2' 9" (840)
D	Rear-end swing radius	4' 11" (1,490)
D'	Rear-end length	4' 11" (1,490)
E	Overall width of upperstructure	8' 2" (2,480)
F	Overall height of cab	9' 2" (2,790)
F'	Overall height of handrail	9' 3" (2,810)
F''	Overall height of handrail (on cab)	9' 5" (2,870)
*G	Min. ground clearance	1' 4" (410)
H	Track gauge	6' 6" (1,990)
I	Track shoe width	G 1' 12" (600)
J	Undercarriage width	8' 6" (2,590)
K	Overall width	8' 6" (2,590)
*L	Track height with triple grouser shoes	2' 7" (790)
Overall length		
M	With Arm 8' 3" (2.52 m)	26' 3" (7,990)
	With Arm 9' 11" (3.01 m)	26' 4" (8,020)
Overall height of boom		
N	With Arm 8' 3" (2.52 m)	9' 7" (2,930)
	With Arm 9' 11" (3.01 m)	9' 4" (2,850)
O	Blade height	1' 12" (600)
P	Blade width	8' 10" (2,690)
Q	Distance between the front end of blade and the axis of rotation	7' 12" (2,430)
R	Blade maximum lifting	1' 6" (460)
S	Blade maximum lowering	1' 9" (540)
T	Blade approach angle	26°

* Excluding track shoe lug G: Triple grouser shoe

MACHINE CAPACITIES

ZX130-7H

- Notes:
1. Ratings are based on ISO 10567: 2007.
 2. Machine capacity does not exceed 75% of tipping load with the machine on firm, level ground or 87% full hydraulic capacity.
 3. The load point is the center-line of the bucket pivot mounting pin on the arm.
 4. *Indicates load limited by hydraulic capacity.
 5. 0 ft (0 m) = Ground.
 6. Each machine capacities values are applicable when selecting optional attachment basic piping and hose rupture valve for boom and arm.



- A: Load radius
 B: Load point height
 C: Machine capacity

For machine capacities, subtract installed attachment and quick hitch weight from machine capacities.

To determine lifting capacities, apply "Rating over-side or 360 degrees" machine capacities from the table and deduct weight of installed attachment and quick hitch. Optional feature may affect machine performance.

ZX130-7H MONOBLOCK BOOM

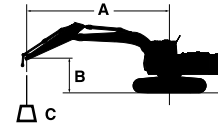
Rating over-front Rating over-side or 360 degrees Unit: lb (kg)

Conditions	Load point height ft (m)	Load radius										At max. reach		
		5 ft (1.5 m)		10 ft (3.0 m)		15 ft (4.5 m)		20 ft (6.0 m)		25 ft (7.5 m)				ft-in (meter)
Boom 15' 1" (4.60 m) Arm 8' 3" (2.52 m) Counterweight 6,504 lb (2,950 kg)	15' (4.5)					*7,780 (*3,550)	*7,780 (*3,550)	*6,720 (*3,330)	5,680 (2,640)			*5,060 (*2,290)	*5,060 (*2,290)	20' 10" (6.36)
	10' (3.0)			*12,620 (*5,890)	*12,620 (*5,890)	*9,420 (*4,340)	8,580 (3,970)	7,910 (3,670)	5,550 (2,570)			*5,030 (*2,280)	4,570 (2,070)	22' 8" (6.90)
	5' (1.5)			*18,330 (*8,060)	14,510 (6,730)	*11,520 (*5,320)	8,060 (3,730)	7,680 (3,560)	5,350 (2,480)			*5,300 (*2,400)	4,290 (1,940)	23' 2" (7.07)
	0 (Ground)			*15,060 (*6,480)	13,800 (6,410)	11,430 (5,310)	7,680 (3,560)	7,500 (3,470)	5,170 (2,390)			*5,940 (*2,690)	4,350 (1,970)	22' 8" (6.92)
	-5' (-1.5)	*10,400 (*4,630)	*10,400 (*4,630)	*19,760 (*9,110)	13,710 (6,370)	11,260 (5,230)	7,530 (3,490)	7,430 (3,440)	5,110 (2,360)			6,970 (3,150)	4,810 (2,180)	20' 12" (6.40)
	-10' (-3.0)	*19,270 (*8,530)	*19,270 (*8,530)	*16,840 (*7,800)	13,920 (6,470)	11,360 (5,270)	7,620 (3,530)					*8,910 (4,010)	6,130 (2,750)	17' 10" (5.44)
Boom 15' 1" (4.60 m) Arm 9' 11" (3.01 m) Counterweight 6,504 lb (2,950 kg)	20' (6.0)											*4,690 (*2,110)	*4,690 (*2,110)	19' 7" (5.97)
	15' (4.5)					*6,740 (*3,080)	*6,740 (*3,080)	*6,890 (*3,120)	5,750 (2,670)			*4,360 (*1,970)	*4,360 (*1,970)	22' 7" (6.88)
	10' (3.0)			*10,350 (*4,890)	*10,350 (*4,890)	*8,440 (*3,890)	*8,440 (*3,890)	*7,520 (*3,440)	5,590 (2,590)			*4,330 (*1,960)	4,100 (1,850)	24' 3" (7.38)
	5' (1.5)			*16,520 (*7,680)	14,830 (6,880)	*10,710 (*4,940)	8,120 (3,760)	7,690 (3,570)	5,340 (2,480)	*2,230 (1,760)		*4,530 (*2,060)	3,870 (1,750)	24' 9" (7.54)
	0 (Ground)			*16,500 (*7,090)	13,800 (6,410)	11,420 (5,300)	7,660 (3,550)	7,450 (3,460)	5,130 (2,370)			*5,010 (*2,270)	3,900 (1,770)	24' 3" (7.39)
	-5' (-1.5)	*9,180 (*4,090)	*9,180 (*4,090)	*20,140 (*8,880)	13,530 (6,290)	11,170 (5,190)	7,430 (3,440)	7,330 (3,400)	5,010 (2,320)			*5,970 (*2,690)	4,250 (1,920)	22' 8" (6.92)
	-10' (-3.0)	*16,130 (*7,150)	*16,130 (*7,150)	*18,050 (*8,350)	13,650 (6,340)	11,180 (5,190)	7,440 (3,450)	(3,430)	(2,350)			7,570 (3,400)	5,190 (2,330)	19' 10" (6.04)
	-15' (-4.5)			*12,760 (*6,040)	*12,760 (*6,040)	*3,710 (3,600)						*8,130 (*3,700)	*8,130 (3,600)	14' 9" (4.50)

MACHINE CAPACITIES

ZX135US-7H

- Notes:
1. Ratings are based on ISO 10567: 2007.
 2. Machine capacity does not exceed 75% of tipping load with the machine on firm, level ground or 87% full hydraulic capacity.
 3. The load point is the center-line of the bucket pivot mounting pin on the arm.
 4. *Indicates load limited by hydraulic capacity.
 5. 0 ft (0 m) = Ground.
 6. Each machine capacities values are applicable when selecting optional attachment basic piping and hose rupture valve for boom and arm.



- A: Load radius
B: Load point height
C: Machine capacity

For machine capacities, subtract installed attachment and quick hitch weight from machine capacities.

To determine lifting capacities, apply "Rating over-side or 360 degrees" machine capacities from the table and deduct weight of installed attachment and quick hitch. Optional feature may affect machine performance.

ZX135US-7H MONOBLOCK BOOM

Rating over-front Rating over-side or 360 degrees Unit: lb (kg)

Conditions	Load point height ft (m)	Load radius										At max. reach		
		5 ft (1.5 m)		10 ft (3.0 m)		15 ft (4.5 m)		20 ft (6.0 m)		25 ft (7.5 m)				ft-in (meter)
Boom 15' 1" (4.60 m) Arm 8' 3" (2.52 m) Counterweight 7,716 lb (3,500 kg)	20' (6.0)					*8,060 (*3,630)	7,910 (*3,630)					*5,340 (*2,400)	*5,340 (*2,400)	18' 1" (5.50)
	15' (4.5)			*8,560 (*3,900)	*8,560 (*3,900)	*8,470 (*3,880)	7,770 (3,600)	7,190 (3,340)	4,840 (2,250)			*4,910 (*2,220)	4,380 (1,960)	21' 3" (6.48)
	10' (3.0)			*14,100 (*6,580)	13,850 (6,420)	(*10,170) (*4,690)	7,340 (3,400)	7,040 (3,270)	4,700 (2,180)			*4,890 (*2,220)	3,750 (1,690)	22' 11" (6.99)
	5' (1.5)			*16,550 (*7,740)	12,250 (5,680)	10,540 (4,890)	6,810 (3,150)	6,810 (3,160)	4,490 (2,080)			*5,150 (*2,340)	3,510 (1,590)	23' 5" (7.15)
	0 (Ground)			*14,150 (*6,100)	11,600 (5,390)	10,110 (4,700)	6,430 (2,980)	6,620 (3,070)	4,310 (2,000)			5,450 (2,470)	3,560 (1,610)	22' 11" (6.98)
	-5' (-1.5)	*10,540 (*4,690)	*10,540 (*4,690)	*19,550 (*9,010)	11,540 (5,370)	9,960 (4,630)	6,290 (2,920)	6,560 (3,040)	4,250 (1,970)			6,080 (2,750)	3,960 (1,790)	21' 2" (6.46)
	-10' (-3.0)	*19,380 (*8,580)	*19,380 (*8,580)	*15,840 (*7,340)	11,770 (5,470)	10,080 (4,680)	6,400 (2,960)					7,880 (3,530)	5,110 (2,290)	17' 11" (5.47)
Boom 15' 1" (4.60 m) Arm 9' 11" (3.01 m) Counterweight 7,716 lb (3,500 kg)	20' (6.0)					*6,900 (*3,110)	*6,900 (*3,110)	(*2,330) (2,280)				*4,560 (*2,050)	*4,560 (*2,050)	20' 1" (6.11)
	15' (4.5)					*7,440 (*3,400)	*7,440 (*3,400)	*7,140 (*3,310)	4,910 (2,280)			*4,240 (*1,920)	3,860 (1,730)	22' 11" (6.99)
	10' (3.0)			*10,990 (*5,250)	*10,990 (*5,250)	*9,200 (*4,240)	7,460 (3,460)	7,080 (3,290)	4,730 (2,200)			*4,220 (*1,910)	3,350 (1,510)	24' 6" (7.47)
	5' (1.5)			*17,980 (*8,350)	12,570 (5,830)	10,620 (4,930)	6,870 (3,180)	6,810 (3,160)	4,480 (2,080)	*4,430 (2,240)	3,140 (1,460)	*4,420 (*2,000)	3,140 (1,420)	25' 0" (7.62)
	0 (Ground)			*15,300 (*6,600)	11,580 (5,380)	10,100 (4,690)	6,410 (2,970)	6,570 (3,050)	4,260 (1,970)			4,890 (2,220)	3,170 (1,440)	24' 6" (7.46)
	-5' (-1.5)	*9,240 (*4,110)	*9,240 (*4,110)	19,680 (*8,590)	11,340 (5,280)	9,860 (4,580)	6,190 (2,870)	6,450 (2,990)	4,150 (1,920)			5,370 (2,430)	3,470 (1,570)	22' 10" (6.97)
	-10' (-3.0)	*16,180 (*7,170)	*16,180 (*7,170)	*17,360 (*8,040)	11,490 (5,340)	9,890 (4,590)	6,220 (2,880)	(3,020) (1,950)				6,630 (2,980)	4,290 (1,920)	19' 11" (6.07)
-15' (-4.5)			*11,100 (*5,290)	*11,100 (*5,290)	(*3,190) (3,040)						*6,930 (*3,180)	*6,930 (3,040)	14' 9" (4.50)	

EQUIPMENT

●: Standard equipment ○: Optional equipment -: Not applicable

ENGINE	ZX130-7H	ZX135US-7H
Aftertreatment device	●	●
Air cleaner double filters	●	●
Alternator 50 A	●	●
Auto idle system	●	●
Auto shut-down control	●	●
Cartridge-type engine oil filter	●	●
Cartridge-type fuel main filter	●	●
ConSite OIL (sensor)*	○	○
DEF / AdBlue® tank	●	●
DEF / AdBlue® tank inlet strainer and extension	●	●
Dry-type air filter with evacuator valve (with air filter restriction indicator)	●	●
Dust-proof indoor net	●	●
ECO / PWR / HP mode control	●	●
Electrical fuel feed pump	●	●
Engine oil drain coupler	●	●
Expansion tank	●	●
Fan guard	●	●
Fuel cooler	●	●
Fuel pre-filter with water separator	●	●
Isolation-mounted engine	●	●
Maintenance free pre-cleaner	○	○
Oil separator	●	●
Radiator, oil cooler and intercooler	●	●

HYDRAULIC SYSTEM	ZX130-7H	ZX135US-7H
Auto power lift	●	●
ConSite OIL (sensor)*	○	○
Control valve with main relief valve	●	●
Equipment package for lifting objects	○	○
Extra port for control valve	●	●
High mesh full flow filter	●	●
Hose rupture valve for arm	○	○
Hose rupture valve for boom	○	○
Pilot filter	●	●
Power boost	●	●
Restriction indicator for full flow filter	○	○
Suction filter	●	●
Variable relief valve for breaker and crusher	●	●
Work mode selector	●	●

CAB	ZX130-7H	ZX135US-7H
All-weather sound suppressed steel cab	●	●
Auto control air conditioner	●	●
AUX function lever (breaker assist)	○	○
AUX function lever (breaker)	●	●
Bluetooth® integrated radio	●	●
Console height adjustment	●	●
Control lever auto-lock	●	●
CRES VII (center pillar reinforced structure) cab	●	●
Drink holder with hot and cool function	●	●
Electric double horn	●	●
Engine shut-off switch	●	●
Equipped with reinforced, tinted (green color) glass windows	●	●
Evacuation hammer	●	●
Floor mat	●	●
Footrest	●	●
Front window washer (1 point)**	●	●
Front window washer (2 points)**	○	○
Glove compartment	●	●
Hands-free calling device	●	●
Hot and cool box	●	●
Intermittent windshield wipers	●	●
Key cylinder light	●	●
LED room light	●	●
Magazine rack	●	●
OPG front guard Level II (ISO 10262: 1998) compliant	○	○
OPG top guard Level I (ISO 10262: 1998) compliant	●	●
OPG top guard Level II (ISO 10262: 1998) compliant	○	○
Pilot shut-off lever	●	●
Power outlet 12 V and 24 V	●	●
Push button low idle	●	●
Rain guard (without OPG front guard)	●	●
Rear tray	●	●
Retractable seat belt 3 in. (76 mm)	●	●
ROPS (ISO 12117-2: 2008) compliant cab	●	●
Rubber radio antenna	●	●
Seat: air suspension seat with heater	●	●
Seat adjustment part: backrest, armrest, height and angle, slide forward / back	●	●
Seat belt reminder	●	●
Short wrist control levers	●	●
Smartphone holder	●	●
Straight travel pedal	○	○
Sunscreen roller type (multi-use front or side and rear window)	●	●
Transparent roof with slide curtain	●	●
USB power supply	●	●
Wide view wiper	○	○
Windows on front, upper, lower and left side can be opened	●	●
2 speakers	●	●
4 fluid-filled elastic mounts	●	●
8 inch monitor	●	●

●: Standard equipment ○: Optional equipment -: Not applicable

MONITOR SYSTEM	ZX130-7H	ZX135US-7H
Alarm buzzers: overheat, engine oil pressure, overload, SCR system trouble, etc	●	●
Alarms: overheat, engine warning, engine oil pressure, alternator, minimum fuel level, hydraulic filter restriction, air filter restriction, work mode, overload, SCR system trouble, etc	●	●
Display of meters: water temperature, hour, fuel rate, clock, DEF / AdBlue® rate, etc	●	●
Other displays: work mode, auto-idle, glow, rearview monitor, operating conditions, etc	●	●
35 languages selection	●	●

LIGHTS	ZX130-7H	ZX135US-7H
Additional boom LED light with cover	●	●
Additional cab roof front LED lights	●	●
Additional cab roof rear LED lights	●	●
LED lights for camera (side and rear view camera)	○	○
Rotating lamp	○	○
2 working LED lights	●	●

UPPER STRUCTURE	ZX130-7H	ZX135US-7H
AERIAL ANGLE (270-degree view camera system)	●	●
Batteries 2 x 58 Ah	●	●
Body top handrail	●	●
Cab top handhold	●	●
Control pattern changer (ISO/BH)	●	●
Counterweight 6,504 lb (2,950 kg)	●	-
Counterweight 7,716 lb (3,500 kg)	-	●
Electric fuel refilling pump with auto stop and filter	●	●
Fuel level float	●	●
HD undercover	○	○
Hydraulic oil level gauge	●	●
Lockable fuel refilling cap	●	●
Lockable machine covers	●	●
Lockable tool box	●	●
Platform handrail	●	●
Side view mirror (right and left)	●	●
Skid-resistant plates	●	●
Swing parking brake	●	●
Undercover	●	●
2 way battery disconnect switch	●	●

UNDERCARRIAGE	ZX130-7H	ZX135US-7H
Blade	○	○
Bolt-on sprocket	●	●
Greasing type track adjuster	●	●
Reinforced track links with pin seals	●	●
Shoe: 20" (500 mm) triple grouser	○	○
Shoe: 24" (600 mm) triple grouser	●	●
Shoe: 28" (700 mm) triple grouser	○	○
Towing hole for light weight object	●	●
Track undercover	○	○
Travel direction mark on track frame	●	●
Travel motor covers	●	●
Travel parking brake	●	●
Upper and lower rollers	●	●
1 track guard (each side)	●	●
4 tie down brackets	●	●

FRONT ATTACHMENTS	ZX130-7H	ZX135US-7H
0.1811 in	○	○
Arm 9' 11" (3.01 m)	●	●
Arm tip remote lubrication	●	●
Casted bucket link A	●	●
Centralized lubrication system	●	●
Dirt seal on all bucket pins	●	●
Flanged pin	●	●
HN bushing	●	●
Lower arm reinforcement	●	●
Reinforced resin thrust plate	●	●
WC (tungsten-carbide) thermal spraying	●	●

MISCELLANEOUS	ZX130-7H	ZX135US-7H
ConSite	○	○
Global e-service	●	●
Onboard information controller	●	●
Satellite communication device	○	○
Standard tool kit	●	●
Travel alarm	●	●

ATTACHMENTS	ZX130-7H	ZX135US-7H
Accessories for 2 speed selector	○	○
Additional pump (7.9 gal (30 L/min))	○	○
Assist piping	○	○
Breaker and crusher piping (Short piping)	○	○
Breaker and crusher piping	●	●
Pilot accumulator	○	○
Quick coupler piping	○	○

Standard and optional equipment may vary by country, so please consult your Hitachi Construction Machinery Americas dealer for details.

* Engine oil and hydraulic oil monitoring sensor.

** Front window washer (1 point) is only when equipped with standard wiper.

Front window washer (2 points) is only when equipped with wide view wiper.



HITACHI

Reliable solutions



REPUTATIONS ARE
BUILT ON IT.

With manufacturing facilities in Banshu, Ryugasaki, Tierra, Hitachinaka, and Tsuchiura, Japan, and the U.S. corporate office and campus in Newnan, Georgia, Hitachi Construction Machinery Americas Inc. (HCMA) has the experience and technology to design, engineer, manufacture, and service your construction machinery. The HCMA team is securely poised as your go-to source in the North American and Latin American construction machinery markets.

Through our long-term commitment to maintaining a leadership position in technology, service, and support, HCMA supports an extensive network of independent, local dealers focused on providing you with knowledgeable and experienced sales, service, and parts personnel — all backed by dedicated HCMA support teams.

Your Hitachi Construction Machinery Americas dealer has the resources, expertise, and personnel to work with you to ensure that you receive the most benefit from your investment, utilizing carefully designed programs and services in conjunction with extensive digital resources. HCMA provides a totally focused approach to supporting you, your business, and your construction machinery.

Machines representative of global product. Options may not be available in all markets. Prior to operating this machine, including satellite communication system, in a country other than a country of its intended use, it may be necessary to make modifications to it so that it complies with the local regulatory standards (including safety standards) and legal requirements of that particular country. Please do not export or operate this machine outside the country of its intended use until such compliance has been confirmed. Please contact your Hitachi Construction Machinery Americas dealer in case of questions about compliance.