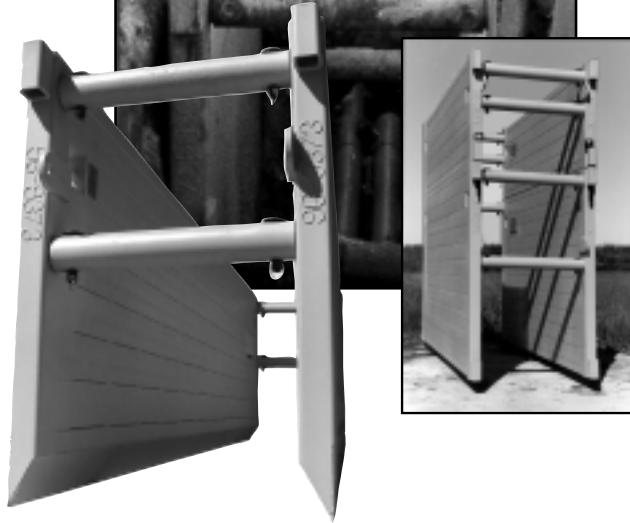


Tuff-Lite™ Shields

Speed Shore's innovative Tuff-Lite™ shield is one of the newest additions to the industry's most comprehensive line of trench shielding products. Its unique tubular design redefines lightweight, high-capacity shielding. Boasting the highest strength-to-weight ratio of any double-wall steel shield on the market, Tuff-Lite™ shields are built to last. These rugged, durable shields are designed especially for contractors and municipalities who utilize lighter excavators, but require higher capacities for deeper trenches or poor soil conditions.

Available in a full range of sizes and configurations, Speed Shore's Tuff-Lite™ shields offer a comprehensive array of standard features and options. Heavy-duty lifting and pulling eyes, replaceable push blocks, thru-wall spreader sockets and foam-filled walls are just a few of the many standard features. All spreaders are fully interchangeable and knife-edge bottoms are available as an option. Such features make Speed Shore trench shields the preferred choice for maximum productivity and safety in the trenches.



The High Strength "Lightweight".

- **Replaceable Top & Bottom Tubes**
protect your structure when pushing the shield to grade. Damaged tubes are readily replaced with *no modification to shield structure*.
- **Foam-Filled Walls**
prevent accumulation of water, dirt and debris.
- **Heavy-Duty Stacking Sockets**
assure proper alignment of stacked shields.
- **Thru-Wall Spreader Sockets**
penetrate end vertical supports for added strength and durability.
- **Easy-Access Lifting Pockets**
for ease of handling.
- **Heavy-Duty Pulling Eyes**
enable use of a sling to pull the shield, preventing damage to spreaders.
- **Certification Plate**
for quick reference to shield size, serial number and P.E.-Certified capacity.

SPEED  **SHORE**[®]
PIONEERING TRENCH SAFETY

Tuff-Lite™ Shields

4" Double-Wall

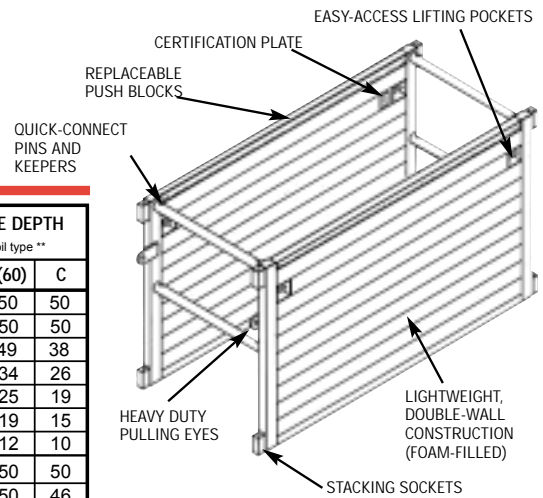
MODEL	DIMENSIONS		PIPE CLEARANCE (In.)	WEIGHT (Lbs.)	SHIELD CAPACITY (Psf.)	ALLOWABLE DEPTH (Ft.) by soil type **			
	H (Ft.)	L				A	B	C(60)	C
TS-0406-TL4	4	6	24	1540	8441	50	50	50	50
TS-0408-TL4	4	8	24	1870	4708	50	50	50	50
TS-0410-TL4	4	10	24	2180	2920	50	50	49	38
TS-0412-TL4	4	12	24	2470	1987	50	45	34	26
TS-0414-TL4	4	14	24	2790	1439	50	32	25	19
TS-0416-TL4	4	16	24	3160	1090	43	25	19	15
TS-0420-TL4	4	20	24	3775	687	27	16	12	10
TS-0606-TL4	6	6	36	2010	4822	50	50	50	50
TS-0608-TL4	6	8	36	2425	3522	50	50	50	46
TS-0610-TL4	6	10	36	2790	2717	50	50	47	36
TS-0612-TL4	6	12	36	3205	1848	50	42	33	25
TS-0614-TL4	6	14	36	3615	1338	50	31	24	19
TS-0616-TL4	6	16	36	4190	1014	41	24	19	15
TS-0620-TL4	6	20	36	4540	639	26	16	12	10
TS-0806-TL4	8	6	48	2290	3228	50	50	50	43
TS-0808-TL4	8	8	48	3050	2357	50	50	42	33
TS-0810-TL4	8	10	48	3580	1857	50	44	34	26
TS-0812-TL4	8	12	48	4130	1531	50	36	28	22
TS-0814-TL4	8	14	48	4750	1288	50	31	24	19
TS-0816-TL4	8	16	48	5230	975	40	24	19	15
TS-0820-TL4	8	20	48	6290	615	26	16	13	11

Flat bottoms are standard on all Tuff-Lite™ shields. Knife-Edge bottoms are an available option.

Psf = Pounds per square foot.

** Prior to use, refer to OSHA's 29 CFR, Part 1926 (subpart P) and Manufacturer's Tabulated Data for detailed explanation of soil types and product application. Type A soil not exceed 25 Psf per foot of depth; Type B soil not to exceed 45 Psf per foot of depth; Type C(60) soil not to exceed 60 Psf per foot of depth; Type C soil not to exceed 80 Psf per foot of depth.

Note: Allowable depths are limited to 50 feet for practical purposes. Contact Speed Shore for applications exceeding posted allowable depths.



Spreader Sets*

MODEL	DESCRIPTION	WEIGHT (Lbs.)
SPR5-024	24" (2') Spreaders	165
SPR5-030	30" (2.5') Spreaders	210
SPR5-036	36" (3') Spreaders	250
SPR5-042	42" (3.5') Spreaders	290
SPR5-048	48" (4') Spreaders	330
SPR5-054	54" (4.5') Spreaders	375
SPR5-060	60" (5') Spreaders	415
SPR5-072	72" (6') Spreaders	500
SPR5-084	84" (7') Spreaders	580
SPR5-096	96" (8') Spreaders	665
SPR5-108	108" (9') Spreaders	750
SPR5-120	120" (10') Spreaders	830
SPR5-132	132" (11') Spreaders	915
SPR5-144	144" (12') Spreaders	995

*Includes 4 spreaders per set.

Note: We strongly recommend the use of Pulling Eyes and certified slings when dragging shields in the trench. Lightweight 5" spreaders may be damaged if used to pull shields.

Pioneer of the World's Most Advanced Trench Safety Systems



Shoring Shields*

Vertical Shores

Water Systems

Excavation Braces

Modular Alum. Panel Systems

Aluminum Trench

Steel Trench Shields

Manhole Shields

Manguard Shields

Slide-Rail Systems

Mega-Shore Systems

Bedding Boxes

SPEED SHORE
PIONEERING TRENCH SAFETY

3330 S. SAM HOUSTON PKWY E. ■ HOUSTON, TEXAS 77047
(713) 943-0750 ■ FAX (713) 943-8483 ■ USA TOLL FREE: 1-800-231-6662
www.speedshore.com

Authorized Distributor