

# Trench Shields

Speed Shore offers the most advanced line of trench shielding products available. Built to last, these shields are designed and certified by Registered Professional Engineers to optimize strength-to-weight ratios while maintaining minimal sidewall thickness.

Standard shields are available with 3" to 8" thick walls in a full array of heights and lengths. The comprehensive line of trench shields includes economical Single-Wall Shields for less extreme lateral pressures, specially designed Manhole Shields, and the popular heavy-duty Double-Wall Shields. Complete custom capabilities are also available to analyze and optimize shields to your specific needs.

Unique Speed Shore features include: replaceable push blocks to protect the integrity of the structure, high-tensile steel reinforcement plates for added strength in critical spreader socket areas, and a variety of industry options that are included as Speed Shore *standard features*. Such features make Speed Shore trench shields the *preferred choice* for maximum productivity and safety in the trenches.

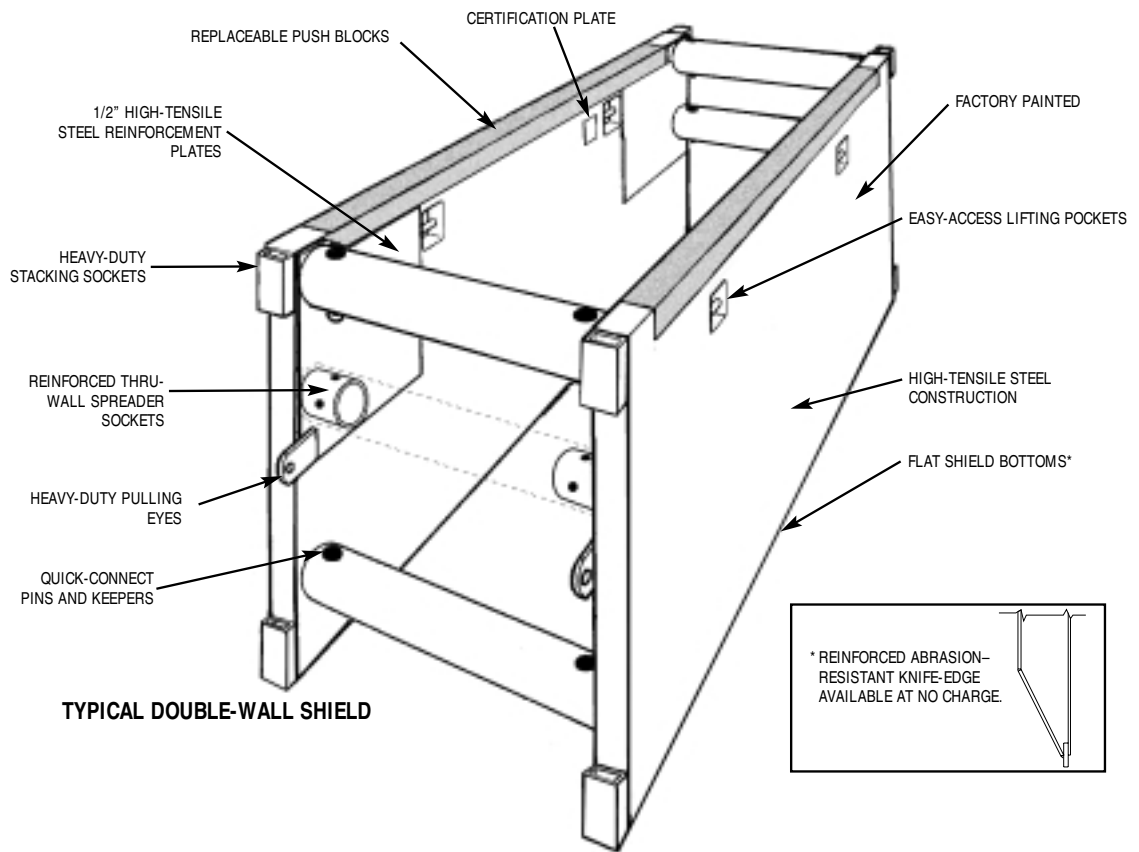


## Speed Shore Shields Optimize Safety and Productivity.

- **Replaceable Push Blocks**  
protect your structure when pushing the shield to grade. Damaged sections are readily replaced with *no modification to shield structure*.
- **1/2" Steel Reinforcement Plates**  
for added strength and puncture resistance in critical spreader socket areas.
- **5 Spreader Sockets**  
(standard on most Double-Wall Shields) for optimum versatility in spreader placement.
- **Heavy-Duty Stacking Sockets**  
assure proper alignment of stacked shields.
- **Thru-Wall Spreader Sockets**  
penetrate end vertical supports for added strength and durability.
- **Easy-Access Lifting Pockets**  
for ease of handling.
- **Certification Plate**  
for quick reference to shield size, serial number and P.E.-Certified capacity.

**SPEED**  **SHORE**<sup>®</sup>  
PIONEERING TRENCH SAFETY

# Trench Shield Features



# Double-Wall Trench Shields

## 4" Double-Wall

| MODEL       | DIMENSIONS |    | PIPE CLEARANCE<br>(In.) | WEIGHT<br>(Lbs.) | SHIELD CAPACITY<br>(Psf) | ALLOWABLE DEPTH<br>(Ft.) by soil type ** |    |       |    |
|-------------|------------|----|-------------------------|------------------|--------------------------|--|----|-------|----|
|             | H (Ft.)    | L  |                         |                  |                          | A  | B  | C(60) | C  |
| TS-0408-DW4 | 4          | 8  | 20                      | 2430             | 5540                     | 50                                       | 50 | 50    | 50 |
| TS-0410-DW4 | 4          | 10 | 20                      | 2780             | 3390                     | 50                                       | 50 | 50    | 43 |
| TS-0412-DW4 | 4          | 12 | 20                      | 3150             | 2280                     | 50                                       | 50 | 38    | 29 |
| TS-0416-DW4 | 4          | 16 | 20                      | 3730             | 1230                     | 47                                       | 27 | 21    | 16 |
| TS-0420-DW4 | 4          | 20 | 20                      | 4420             | 770                      | 29                                       | 17 | 13    | 10 |
| TS-0608-DW4 | 6          | 8  | 42                      | 3300             | 4330                     | 50                                       | 50 | 50    | 50 |
| TS-0610-DW4 | 6          | 10 | 42                      | 3840             | 3420                     | 50                                       | 50 | 50    | 45 |
| TS-0612-DW4 | 6          | 12 | 42                      | 4320             | 2310                     | 50                                       | 50 | 40    | 31 |
| TS-0616-DW4 | 6          | 16 | 42                      | 5785             | 1250                     | 49                                       | 29 | 22    | 17 |
| TS-0620-DW4 | 6          | 20 | 42                      | 7435             | 880                      | 34                                       | 20 | 16    | 13 |
| TS-0808-DW4 | 8          | 8  | 62                      | 4220             | 2100                     | 50                                       | 48 | 37    | 29 |
| TS-0810-DW4 | 8          | 10 | 62                      | 4435             | 1680                     | 50                                       | 39 | 30    | 24 |
| TS-0812-DW4 | 8          | 12 | 62                      | 5200             | 1400                     | 50                                       | 33 | 26    | 21 |
| TS-0816-DW4 | 8          | 16 | 62                      | 7350             | 1250                     | 50                                       | 30 | 24    | 19 |
| TS-0820-DW4 | 8          | 20 | 62                      | 9550             | 900                      | 36                                       | 22 | 18    | 14 |

## 6" Double-Wall

| MODEL       | DIMENSIONS |    | PIPE CLEARANCE<br>(In.) | WEIGHT<br>(Lbs.) | SHIELD CAPACITY<br>(Psf) | ALLOWABLE DEPTH<br>(Ft.) by soil type ** |    |       |    |
|-------------|------------|----|-------------------------|------------------|--------------------------|--|----|-------|----|
|             | H (Ft.)    | L  |                         |                  |                          | A  | B  | C(60) | C  |
| TS-0412-DW6 | 4          | 12 | 20                      | 3720             | 3680                     | 50                                       | 50 | 50    | 47 |
| TS-0416-DW6 | 4          | 16 | 20                      | 4590             | 1990                     | 50                                       | 44 | 34    | 26 |
| TS-0420-DW6 | 4          | 20 | 20                      | 5240             | 1250                     | 48                                       | 28 | 22    | 17 |
| TS-0424-DW6 | 4          | 24 | 20                      | 6300             | 850                      | 32                                       | 19 | 15    | 12 |
| TS-0428-DW6 | 4          | 24 | 20                      | 7230             | 620                      | 23                                       | 14 | 11    | 9  |
| TS-0612-DW6 | 6          | 12 | 42                      | 5465             | 3690                     | 50                                       | 50 | 50    | 48 |
| TS-0616-DW6 | 6          | 16 | 42                      | 6610             | 2000                     | 50                                       | 50 | 35    | 27 |
| TS-0620-DW6 | 6          | 20 | 42                      | 8370             | 1250                     | 49                                       | 29 | 23    | 18 |
| TS-0624-DW6 | 6          | 24 | 42                      | 9540             | 950                      | 37                                       | 22 | 18    | 14 |
| TS-0628-DW6 | 6          | 28 | 42                      | 11540            | 740                      | 29                                       | 17 | 15    | 11 |
| TS-0812-DW6 | 8          | 12 | 65                      | 6880             | 2030                     | 50                                       | 47 | 36    | 28 |
| TS-0816-DW6 | 8          | 16 | 65                      | 8525             | 2000                     | 50                                       | 46 | 36    | 28 |
| TS-0820-DW6 | 8          | 20 | 65                      | 9980             | 1250                     | 50                                       | 30 | 24    | 19 |
| TS-0824-DW6 | 8          | 24 | 65                      | 12400            | 960                      | 38                                       | 24 | 19    | 15 |
| TS-0828-DW6 | 8          | 28 | 65                      | 15650            | 790                      | 32                                       | 20 | 16    | 13 |
| TS-1012-DW6 | 10         | 12 | 86                      | 8410             | 1600                     | 50                                       | 38 | 30    | 24 |
| TS-1016-DW6 | 10         | 16 | 86                      | 10560            | 1200                     | 49                                       | 31 | 24    | 19 |
| TS-1020-DW6 | 10         | 20 | 86                      | 12540            | 960                      | 40                                       | 25 | 20    | 16 |
| TS-1024-DW6 | 10         | 24 | 86                      | 15035            | 860                      | 35                                       | 22 | 18    | 15 |
| TS-1028-DW6 | 10         | 28 | 86                      | 19880            | 770                      | 32                                       | 20 | 16    | 13 |

## 8" Double-Wall

| MODEL       | DIMENSIONS |    | PIPE CLEARANCE<br>(In.) | WEIGHT<br>(Lbs.) | SHIELD CAPACITY<br>(Psf) | ALLOWABLE DEPTH<br>(Ft.) by soil type ** |    |       |    |
|-------------|------------|----|-------------------------|------------------|--------------------------|--|----|-------|----|
|             | H (Ft.)    | L  |                         |                  |                          | A  | B  | C(60) | C  |
| TS-0420-DW8 | 4          | 20 | 20                      | 6450             | 1800                     | 50                                       | 40 | 30    | 24 |
| TS-0424-DW8 | 4          | 24 | 20                      | 7460             | 1230                     | 47                                       | 27 | 21    | 17 |
| TS-0428-DW8 | 4          | 28 | 20                      | 8600             | 900                      | 34                                       | 20 | 16    | 12 |
| TS-0432-DW8 | 4          | 32 | 20                      | 9460             | 680                      | 26                                       | 15 | 12    | 10 |
| TS-0620-DW8 | 6          | 20 | 42                      | 9360             | 1790                     | 50                                       | 41 | 31    | 24 |
| TS-0624-DW8 | 6          | 24 | 42                      | 10750            | 1220                     | 48                                       | 28 | 22    | 17 |
| TS-0628-DW8 | 6          | 28 | 42                      | 13395            | 1080                     | 48                                       | 28 | 22    | 17 |
| TS-0632-DW8 | 6          | 32 | 42                      | 14760            | 860                      | 36                                       | 22 | 18    | 15 |
| TS-0820-DW8 | 8          | 20 | 65                      | 11950            | 1780                     | 50                                       | 41 | 32    | 25 |
| TS-0824-DW8 | 8          | 24 | 65                      | 13260            | 1220                     | 49                                       | 29 | 24    | 19 |
| TS-0828-DW8 | 8          | 28 | 65                      | 16670            | 1270                     | 50                                       | 30 | 24    | 19 |
| TS-0832-DW8 | 8          | 32 | 65                      | 21890            | 960                      | 39                                       | 24 | 19    | 15 |
| TS-1020-DW8 | 10         | 20 | 86                      | 14420            | 1320                     | 50                                       | 33 | 26    | 21 |
| TS-1024-DW8 | 10         | 24 | 86                      | 16390            | 1100                     | 47                                       | 28 | 22    | 18 |
| TS-1028-DW8 | 10         | 28 | 86                      | 18700            | 920                      | 37                                       | 23 | 19    | 16 |
| TS-1032-DW8 | 10         | 32 | 86                      | 24490            | 870                      | 36                                       | 22 | 18    | 15 |



## Spreader Sets\*

| MODEL    | DESCRIPTION          | WEIGHT<br>(Lbs.) |
|----------|----------------------|------------------|
| SPR8-024 | 24" (2') Spreaders   | 350              |
| SPR8-030 | 30" (2.5') Spreaders | 430              |
| SPR8-036 | 36" (3') Spreaders   | 520              |
| SPR8-042 | 42" (3.5') Spreaders | 610              |
| SPR8-048 | 48" (4') Spreaders   | 695              |
| SPR8-054 | 54" (4.5') Spreaders | 780              |
| SPR8-060 | 60" (5') Spreaders   | 870              |
| SPR8-072 | 72" (6') Spreaders   | 1040             |
| SPR8-084 | 84" (7') Spreaders   | 1215             |
| SPR8-096 | 96" (8') Spreaders   | 1390             |
| SPR8-108 | 108" (9') Spreaders  | 1560             |
| SPR8-120 | 120" (10') Spreaders | 1736             |
| SPR8-132 | 132" (11') Spreaders | 1910             |
| SPR8-144 | 144" (12') Spreaders | 2085             |
| SPR8-156 | 156" (13') Spreaders | 2255             |
| SPR8-168 | 168" (14') Spreaders | 2430             |
| SPR8-180 | 180" (15') Spreaders | 2600             |

\* Includes 4 spreaders per set.

Psf = Pounds per square foot.

\*\* Prior to use, refer to OSHA's 29 CFR, Part 1926 (subpart P) and Manufacturer's Tabulated Data for detailed explanation of soil types and product application. Type A soil not to exceed 25 Psf per foot of depth; Type B soil not to exceed 45 Psf per foot of depth; Type C(60) soil not to exceed 60 Psf per foot of depth; Type C soil not to exceed 80 Psf per foot of depth.

Note: Allowable depths are limited to 50 feet for practical purposes. Contact Speed Shore for applications exceeding posted allowable depths.

# Single-Wall Trench Shields

## 3" Economy Single-Wall

| MODEL       | DIMENSIONS |    | PIPE CLEARANCE<br>(In.) | WEIGHT<br>(Lbs.) | SHIELD CAPACITY<br>(Psf.) | ALLOWABLE DEPTH<br>(Ft.) by soil type ** |    |       |    |
|-------------|------------|----|-------------------------|------------------|---------------------------|--|----|-------|----|
|             | H (Ft.)    | L  |                         |                  |                           | A  | B  | C(60) | C  |
| TS-0406-SW3 | 4          | 6  | 22                      | 935              | 1700                      | 50                                       | 38 | 29    | 22 |
| TS-0408-SW3 | 4          | 8  | 22                      | 1150             | 910                       | 35                                       | 20 | 16    | 18 |
| TS-0410-SW3 | 4          | 10 | 22                      | 1395             | 570                       | 21                                       | 13 | 10    | 8  |
| TS-0412-SW3 | 4          | 12 | 22                      | 1760             | 510                       | 19                                       | 12 | 9     | 8  |
| TS-0606-SW3 | 6          | 6  | 34                      | 1305             | 1200                      | 47                                       | 28 | 22    | 17 |
| TS-0608-SW3 | 6          | 8  | 34                      | 1655             | 820                       | 32                                       | 19 | 15    | 12 |
| TS-0610-SW3 | 6          | 10 | 34                      | 1965             | 510                       | 20                                       | 13 | 10    | 9  |
| TS-0612-SW3 | 6          | 12 | 34                      | 2415             | 430                       | 17                                       | 11 | 9     | 8  |
| TS-0806-SW3 | 8          | 6  | 46                      | 1665             | 750                       | 30                                       | 19 | 15    | 13 |
| TS-0808-SW3 | 8          | 8  | 46                      | 2055             | 560                       | 23                                       | 15 | 12    | 10 |
| TS-0810-SW3 | 8          | 10 | 46                      | 2520             | 450                       | 18                                       | 12 | 10    | 9  |
| TS-0812-SW3 | 8          | 12 | 46                      | 3060             | 380                       | 16                                       | 11 | 9     | 8  |

3" Single-Wall Shields are of tubular construction. Heavy-Duty Stacking Sockets and Pulling Eyes are optional.

Psf = Pounds per square foot.

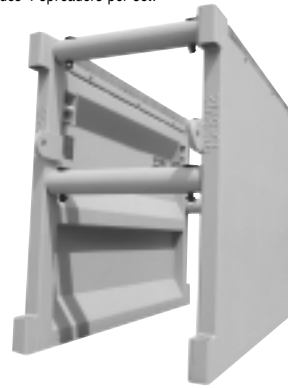
\*\* Prior to use, refer to OSHA's 29 CFR, Part 1926 (subpart P) and Manufacturer's Tabulated Data for detailed explanation of soil types and product application. Type A soil not exceed 25 Psf per foot of depth; Type B soil not to exceed 45 Psf per foot of depth; Type C(60) soil not to exceed 60 Psf per foot of depth; Type C soil not to exceed 80 Psf per foot of depth.

Note: Allowable depths are limited to 50 feet for practical purposes. Contact Speed Shore for applications exceeding posted allowable depths.

## Spreader Sets\*

| MODEL NO. | DESCRIPTION          | WEIGHT<br>(Lbs.) |
|-----------|----------------------|------------------|
| SPR4-024  | 24" (2') Spreaders   | 90               |
| SPR4-030  | 30" (2.5') Spreaders | 110              |
| SPR4-036  | 36" (3') Spreaders   | 130              |
| SPR4-042  | 42" (3.5') Spreaders | 150              |
| SPR4-048  | 48" (4') Spreaders   | 175              |
| SPR4-054  | 54" (4.5') Spreaders | 195              |
| SPR4-060  | 60" (5') Spreaders   | 215              |
| SPR4-072  | 72" (6') Spreaders   | 260              |
| SPR4-084  | 84" (7') Spreaders   | 300              |
| SPR4-096  | 96" (8') Spreaders   | 345              |

\*Includes 4 spreaders per set.



## Spreader Sets\*

| MODEL    | DESCRIPTION          | WEIGHT<br>(Lbs.) |
|----------|----------------------|------------------|
| SPR5-024 | 30" (2') Spreaders   | 165              |
| SPR5-036 | 36" (3') Spreaders   | 250              |
| SPR5-048 | 48" (4') Spreaders   | 330              |
| SPR5-060 | 60" (5') Spreaders   | 415              |
| SPR5-072 | 72" (6') Spreaders   | 500              |
| SPR5-084 | 84" (7') Spreaders   | 580              |
| SPR5-096 | 96" (8') Spreaders   | 665              |
| SPR5-102 | 102" (9') Spreaders  | 750              |
| SPR5-120 | 120" (10') Spreaders | 830              |
| SPR5-132 | 132" (11') Spreaders | 915              |
| SPR5-144 | 144" (12') Spreaders | 995              |
| SPR5-156 | 156" (13') Spreaders | 1081             |
| SPR5-168 | 168" (14') Spreaders | 1164             |
| SPR5-180 | 180" (15') Spreaders | 1247             |

\*Includes 4 spreaders per set

## 4" Heavy-Duty Single-Wall

| MODEL        | DIMENSIONS |    | PIPE CLEARANCE<br>(In.) | WEIGHT<br>(Lbs.) | SHIELD CAPACITY<br>(Psf.) | ALLOWABLE DEPTH<br>(Ft.) by soil type ** |    |       |    |
|--------------|------------|----|-------------------------|------------------|---------------------------|--|----|-------|----|
|              | H (Ft.)    | L  |                         |                  |                           | A  | B  | C(60) | C  |
| TS-0406-SW4H | 4          | 6  | 22                      | 995              | 2840                      | 50                                       | 50 | 48    | 37 |
| TS-0408-SW4H | 4          | 8  | 22                      | 1230             | 1525                      | 50                                       | 34 | 26    | 20 |
| TS-0410-SW4H | 4          | 10 | 22                      | 1510             | 950                       | 37                                       | 21 | 17    | 13 |
| TS-0412-SW4H | 4          | 12 | 22                      | 1840             | 650                       | 24                                       | 15 | 12    | 9  |
| TS-0414-SW4H | 4          | 14 | 22                      | 2220             | 675                       | 25                                       | 15 | 12    | 10 |
| TS-0416-SW4H | 4          | 16 | 22                      | 2780             | 650                       | 24                                       | 15 | 12    | 9  |
| TS-0606-SW4H | 6          | 6  | 36                      | 1545             | 2080                      | 50                                       | 48 | 37    | 28 |
| TS-0608-SW4H | 6          | 8  | 36                      | 1875             | 1525                      | 50                                       | 35 | 27    | 21 |
| TS-0610-SW4H | 6          | 10 | 36                      | 2280             | 950                       | 38                                       | 22 | 18    | 14 |
| TS-0612-SW4H | 6          | 12 | 36                      | 2740             | 650                       | 25                                       | 16 | 13    | 10 |
| TS-0614-SW4H | 6          | 14 | 36                      | 3195             | 600                       | 24                                       | 15 | 12    | 10 |
| TS-0616-SW4H | 6          | 16 | 36                      | 3565             | 460                       | 18                                       | 11 | 9     | 8  |
| TS-0806-SW4H | 8          | 6  | 46                      | 1980             | 1300                      | 50                                       | 31 | 25    | 19 |
| TS-0808-SW4H | 8          | 8  | 46                      | 2410             | 980                       | 40                                       | 24 | 19    | 15 |
| TS-0810-SW4H | 8          | 10 | 46                      | 2940             | 780                       | 32                                       | 20 | 16    | 13 |
| TS-0812-SW4H | 8          | 12 | 46                      | 3450             | 650                       | 26                                       | 17 | 14    | 11 |
| TS-0814-SW4H | 8          | 14 | 46                      | 4055             | 560                       | 23                                       | 15 | 12    | 10 |
| TS-0816-SW4H | 8          | 16 | 46                      | 4645             | 430                       | 18                                       | 12 | 10    | 9  |

4" Single-Wall Shields are constructed with Speed Shore's exclusive slope-faced structural design, and include Stacking Sockets and Pulling Eyes.

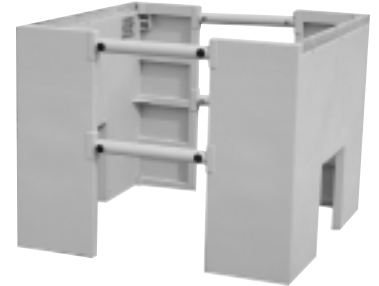
Psf = Pounds per square foot.

\*\* Prior to use, refer to OSHA's 29 CFR, Part 1926 (subpart P) and Manufacturer's Tabulated Data for detailed explanation of soil types and product application. Type A soil not exceed 25 Psf per foot of depth; Type B soil not to exceed 45 Psf per foot of depth; Type C(60) soil not to exceed 60 Psf per foot of depth; Type C soil not to exceed 80 Psf per foot of depth.

Note: Allowable depths are limited to 50 feet for practical purposes. Contact Speed Shore for applications exceeding posted allowable depths.

# M anhole Shields

Designed for manhole installations with optional cutouts for incoming utilities. Available in both single-wall and double-wall configurations to match the depth and capacities of your particular job requirement.



| MODEL                                      | DIMENSIONS |    | PIPE CLEARANCE<br>(In.) | WEIGHT<br>(Lbs.) | SHIELD CAPACITY<br>(Psf) | ALLOWABLE DEPTH<br>(Ft.) by soil type ** |    |       |    |
|--|------------|----|-------------------------|------------------|--------------------------|--|----|-------|----|
|  | H (Ft.)    | L  |                         |                  |                          | A  | B  | C(60) | C  |
| <b>Single-Wall</b>                         |            |    |                         |                  |                          |  |    |       |    |
| MHS-0808-SW                                | 8          | 8  | 45                      | 3590             | 1200                     | 49                                       | 29 | 24    | 19 |
| MHS-0810-SW                                | 8          | 10 | 45                      | 4650             | 750                      | 32                                       | 20 | 15    | 13 |
| MHS-0812-SW                                | 8          | 12 | 45                      | 5555             | 520                      | 22                                       | 14 | 11    | 10 |
| <b>Double-Wall</b>                         |            |    |                         |                  |                          |  |    |       |    |
| MHS-0808-DW                                | 8          | 8  | 45                      | 4115             | 2000                     | 50                                       | 47 | 36    | 29 |
| MHS-0810-DW                                | 8          | 10 | 45                      | 5336             | 1750                     | 50                                       | 41 | 32    | 25 |
| MHS-0812-DW                                | 8          | 12 | 45                      | 6431             | 1200                     | 49                                       | 29 | 24    | 19 |
| <b>Double-Wall W/Replaceable Cut-Outs*</b> |            |    |                         |                  |                          |  |    |       |    |
| MHS-0808-RC                                | 8          | 8  | 45                      | 4295             | 2000                     | 50                                       | 47 | 36    | 29 |
| MHS-0810-RC                                | 8          | 10 | 45                      | 5470             | 1750                     | 50                                       | 41 | 32    | 25 |
| MHS-0812-RC                                | 8          | 12 | 45                      | 6585             | 1200                     | 49                                       | 29 | 24    | 19 |

Psf = Pounds per square foot.

\* MHS-0808-RC cut-outs are 36" X 36" / MHS-0810-RC cut-outs are 40" X 40" / MHS-0812-RC cut-outs are 42" X 42"

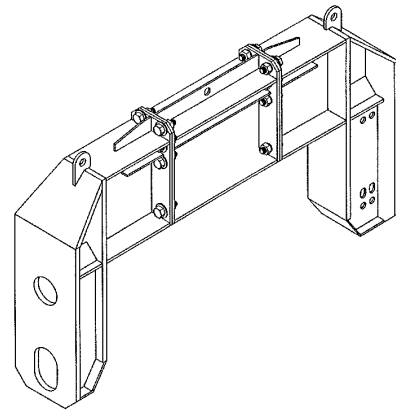
\*\* Prior to use, refer to OSHA's 29 CFR, Part 1926 (subpart P) and Manufacturer's Tabulated Data for detailed explanation of soil types and product application. Type A soil not to exceed 25 Psf per foot of depth; Type B soil not to exceed 45 Psf per foot of depth; Type C(60) soil not to exceed 60 Psf per foot of depth; Type C soil not to exceed 80 Psf per foot of depth.

Note: Allowable depths are limited to 50 feet for practical purposes. Contact Speed Shore for applications exceeding posted allowable depths.



# Arch Spreaders

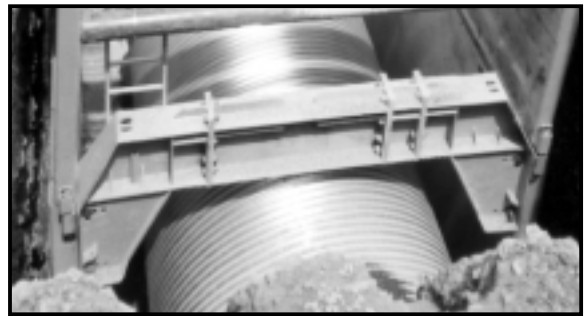
Designed for bore-pits and large-diameter pipe clearance, Speed Shore's Arch Spreaders are quick and easy to install. Available with a full range of bolt-on extensions, they simply pin in place on the standard double-wall shields to provide for exceptionally high clearances.



| MODEL         | DESCRIPTION         | WEIGHT (Lbs.) |
|---------------|---------------------|---------------|
| TS-ARCH       | Basic Arch Spreader | 2290          |
| TS-ARCH-EXT01 | 1' Extension        | 150           |
| TS-ARCH-EXT02 | 2' Extension        | 255           |
| TS-ARCH-EXT03 | 3' Extension        | 360           |
| TS-ARCH-EXT04 | 4' Extension        | 465           |
| TS-ARCH-EXT05 | 5' Extension        | 565           |
| TS-ARCH-EXT06 | 6' Extension        | 670           |
| TS-ARCH-EXT07 | 7' Extension        | 775           |
| TS-ARCH-EXT08 | 8' Extension        | 880           |
| TS-ARCH-EXT09 | 9' Extension        | 985           |
| TS-ARCH-EXT10 | 10' Extension       | 1085          |

The standard Arch Spreader is designed for use with 6', 8', and 10' high Speed Shore Shields.

The basic Arch Spreader will produce a 6' span between the inside walls of the shield. Extensions are available in 1' increments.



## Pioneer of the World's Most Advanced Trench Safety Systems



Shoring Shields\*    Vertical Shores    Waler Systems    Excavation Braces    Modular Alum. Panel Systems    Aluminum Trench Shields    Steel Trench Shields    Manhole Shields    Manguard\* Shields    Slide-Rail Systems    Mega-Shore\* Systems    Bedding Boxes

**SPEED SHORE®**  
PIONEERING TRENCH SAFETY

3330 S. SAM HOUSTON PKWY E. ■ HOUSTON, TEXAS 77047  
(713) 943-0750 ■ FAX (713) 943-8483 ■ USA TOLL FREE: 1-800-231-6662  
[www.speedshore.com](http://www.speedshore.com)

Authorized Distributor

