

Material Handling Machine

LH 60 Industry

Litronic®

Generation

6

Operating Weight

114,600 – 167,100 lb*

Engine

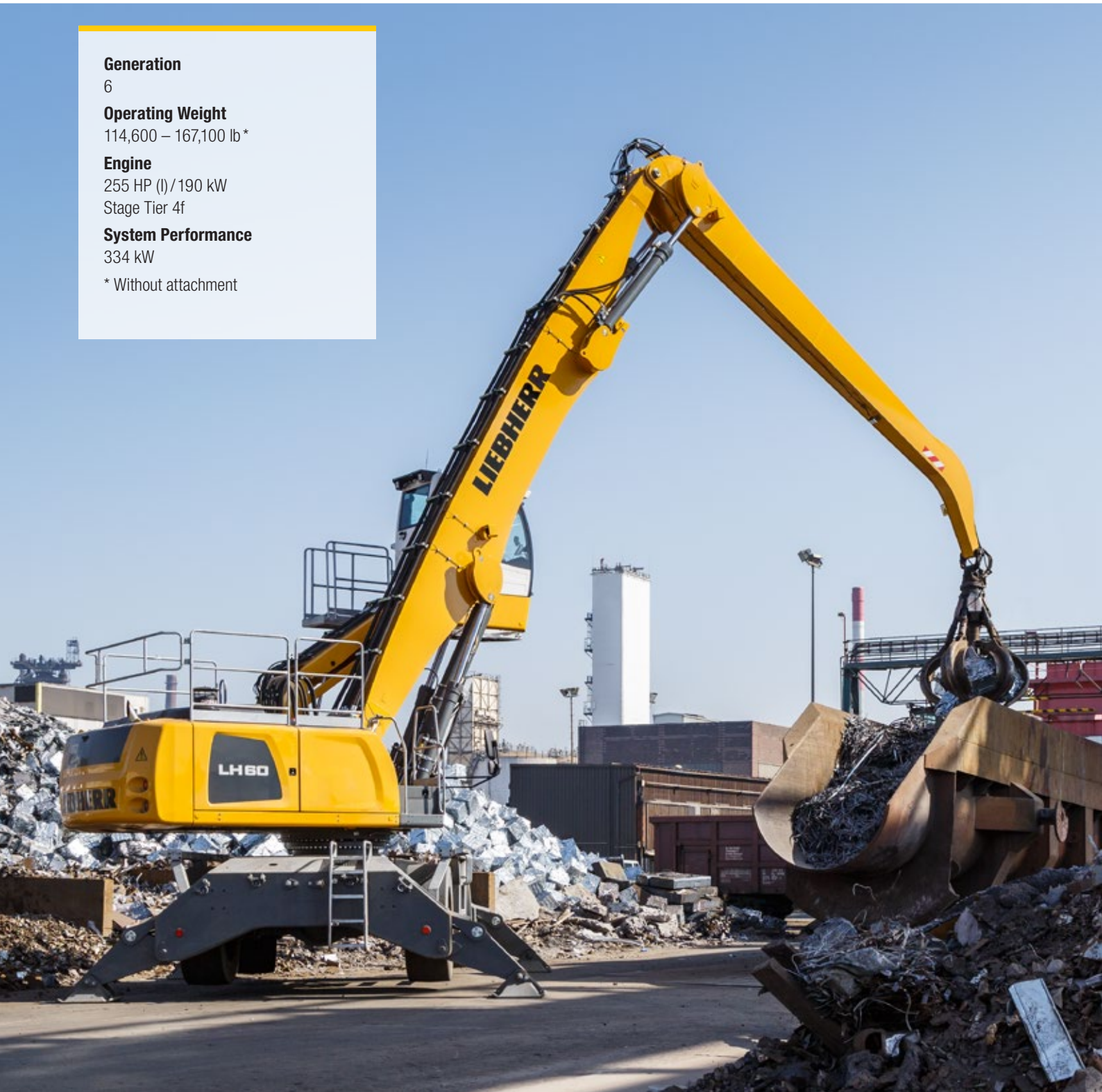
255 HP (I) / 190 kW

Stage Tier 4f

System Performance

334 kW

* Without attachment



LIEBHERR

Performance

Power plus Speed –
Redefined Performance

Economy

Good Investment –
Savings for Long-term

LH 60 M Industry Litronic

Operating Weight

121,300 – 134,500 lb *

Engine

255 HP (l) / 190 kW
Stage Tier 4f

System Performance

334 kW

LH 60 C Industry Litronic

Operating Weight

114,600 – 136,700 lb *

Engine

255 HP (l) / 190 kW
Stage Tier 4f

System Performance

334 kW

LH 60 M High Rise Industry Litronic

Operating Weight

148,400 – 160,000 lb *

Engine

255 HP (l) / 190 kW
Stage Tier 4f

System Performance

334 kW

LH 60 C High Rise Industry Litronic

Operating Weight

150,800 – 167,100 lb *

Engine

255 HP (l) / 190 kW
Stage Tier 4f

System Performance

334 kW

* Without attachment



Reliability

Durability and Sustainability –
Quality down to the last Detail

Comfort

Perfection at a Glance –
When Technology is Comfortable

Maintainability

Efficiency Bonus –
Even with Maintenance and Service



Performance



Power plus Speed – Redefined Performance

Liebherr has been designing and manufacturing successful machines for material handling for over 50 years. With the different versions of the LH 60 Industry machine model of the new generation of Liebherr handlers, high performance and yet economical machines specially designed for use in scrap recycling, timber yards and for handling of bulk materials.

Maximum Handling Capacity

New Power Unit

The LH 60 Industry material handling machine features a powerful Liebherr 4-cylinder in-line engine with constant 180 kW and 8.0 l displacement. This guarantees the high performance level of the machine and at the same time reduces fuel consumption.

High Swing Torque

The separate hydraulic pump in the closed slewing circuit only supplies hydraulic fluid to the swing mechanism. The maximum delivery volume is thus available at any time for turning the uppercarriage for fast and dynamic rotational movements.

Energy Recovery System ERC

The energy saved by lowering of the attachment in the ERC system is also available to the machine for the engine power, the resulting system performance for the material handling machine LH 60 is 334 kW. The result is more powerful, faster and more homogeneous operating cycles, which lead to increased handling capacity.



Liebherr Diesel Engine

Compliant with Stage Tier 4f

- Powerful, robust and reliable
- Maximum torque even at low speeds to ensure fast movements with low fuel consumption
- Common-Rail injection system for maximum efficiency
- Emissions treatment with Liebherr SCR technology

Closed Slewing Circuit

- High torque for maximum acceleration and fast rotary movements
- Integrated speed sensor for controlling and monitoring braking movement for greater safety
- Greater fuel efficiency thanks to intelligent energy management in the closed system

Electrical Pilot Control

- Precision control irrespective of the ambient temperature for maximum precision
- Simpler and faster fault diagnostics for optimal availability
- Up to 5 individual driver profiles can be saved

Precision Operation

LSC Hydraulic System with Electrical Pilot Control

The new 2-circuit Liebherr-Synchron-Comfort-system (LSC) with LUDV technology (flow distribution independent of load pressure) ensures faster working movements with up to 20 % less fuel consumption in comparison to the predecessor models.

All work functions of the machine are controlled electrically, whereby the signals of the transmitters are only converted directly at the control block by hydraulic means. This technology enables end position damping of the attachment in order to protect the components and thus extend their service life. Simple, individual setting and adjustment of the working speed of boom, stick and slewing mechanism allow the driver to adjust the machine to each application and fully utilize the machine's capacity.

Firm and Stable Positioning

An essential prerequisite for precise working and maximum handling capacity is the firm and stable positioning of the machine. The design of the Liebherr undercarriage optimizes the way forces are induced on components and minimized stress. Together with the elaborate support geometry, maximum stability and durability are guaranteed.

Economy



Good Investment – Savings for Long-term

Liebherr material handling machines combine high productivity with excellent economy – all as standard. Liebherr manages to achieve this difficult goal through sophisticated engine technology from its own production and improved demand-controlled hydraulics.

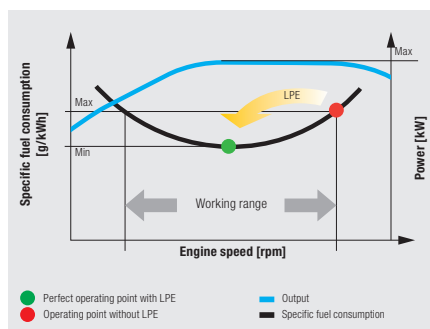
Fuel Efficiency

Engine Idling and Engine Shut-down

The standard automatic idling function reduces the engine speed to idle as soon as the operator takes his hand from the joystick so that no hydraulic function is activated. Proximity sensors in the joystick levers restore the original engine speed as soon as the operator's hand is moved towards the lever again. This ensures that the set engine speed is available immediately. The result is a combination of fuel saving and reduced noise levels. Operating costs can be reduced even further with the optional automatic engine shut-down function.

Closed Hydraulic Circuit for the Swing Mechanism

The closed slewing circuit feeds the braking energy back into the system when the uppercarriage is braked. Here, new standards are set in terms of efficiency and economy. Simple yet effective.



Increased Productivity

Energy Recovery System ERC

The ERC system not only brings about an enormous increase in performance and a higher handling capacity, but it also generates fuel savings of up to 30 %, lower operating costs, as well as reduced pollutant and noise emissions.

Efficient Management

LiDAT, Liebherr's own data transmission and positioning system, facilitates efficient management, monitoring and control of the entire fleet park in terms of machinery data recording, data analysis, fleet park management and service. All of the important machinery data can be viewed at any time in a web browser. LiDAT offers you comprehensive work deployment documentation, greater availability thanks to shorter downtimes, faster support from the manufacturer, quicker detection of strain/overload and subsequently a longer service life of the machine as well as greater planning efficiency in your company. This service includes 1 year of use without charge as standard for the material handler LH 60.

Low Fuel Consumption Thanks to Intelligent Machine Control

- Liebherr-Power Efficiency (LPE) optimizes the interaction of the drive components in terms of efficiency
- LPE enables machine operation in the area of the lowest specific fuel use for less consumption and greater efficiency with the same performance

Liebherr-Attachments

- Robust and service-friendly slewing drive, can be turned 360°
- Optimum filling and clamping performance for effective material handling
- Finite element method (FEM) optimized for a perfect relationship between grapple weight, volume and a very long service life

ERC System

- Increased total power
- Higher handling capacity
- Fuel savings of up to 30 %
- Lower running costs
- Reduced pollutant and noise emissions

Reliability



Durability and Sustainability – Quality down to the last Detail

Every day Liebherr material handlers show their qualities in a very wide range of industrial applications all over the world. Years of experience, continuous development and the latest technologies provide maximum safety in use. Their robust design and the use of components produced in-house ensure that the material handling machine LH 60 is designed for a long service life.

More Safety

Pipe Fracture Safety Valves

The standard pipe fracture safety valves on the stick and hoist cylinders prevents the attachments from dropping in an unregulated way and ensure maximum safety during every operation.

Working Range Limiters

For operations in which the working range should be limited, the material handling machines can be equipped optional with a working range limitation feature. Hereby all types of dimensions can be set: height, depth, width and proximity. Collisions and resulting component damage can thus be avoided.

Overload Warning Device and Load Torque Limitation

The acoustic and visual overload warning system continuously tells the operator about the current load situation of the machine. Furthermore, load torque limitation automatically regulates the speed of the working hydraulics to allow the maximum load bearing capacity to be approached safely. In the event of an overload, the functions which could cause the machine to topple are disabled. Only movements back to the safe working range are then possible.



QPDM – Quality and Process Data Management

- QPDM allows production data to be logged, documented and evaluated
- Automation of documentation and test specifications
- Ability to handle large quantities with maintain uniform high quality

Piston Rod Protection

- Maximum protection of piston rod
- Robust construction of hot-dip galvanized steel for a long service life in tough applications
- Available for outriggers, hoist cylinders, ERC cylinder and tip cylinder as an option

Attachment

- Components enhanced using FEM for maximum service life even if subjected to heavy lateral stresses during demanding tasks
- Cables routed internally to protect them from damage
- High load capacities with long reaches
- Reaches over 66 ft

High Machine Availability

Quality and Competence

Our experience, understanding of customer needs and the technical implementation of these findings guarantee the success of the product. For decades, Liebherr has been inspirational with its depth of production and system solutions. Key components such as the diesel engine, electronic components, slewing ring, swivelling drive and hydraulic cylinders are developed and produced by Liebherr itself. The great depth of in-house manufacturing guarantees maximum quality and ensures that components are optimally configured to each other.

Robust Design

All steel components are designed and manufactured by Liebherr itself. High-strength steel plates configured for the toughest of requirements result in high torsional stiffness and optimum absorption of forces induced for a longer service life.

Intelligent Self Diagnostics

The clever control electronics permanently monitor the vital functions of the machine to guarantee a high level of machine availability. Components which are critical for safety are designed with redundancy to guarantee maximum reliability.

Comfort



Perfection at a Glance – When Technology is Comfortable

The newly designed operator's work station sets new standards in comfort. The Liebherr deluxe cab is spacious, has an ergonomic design and is very quiet. This ensures that the operator remains intent and fully concentrated throughout the working day and enables him to deliver a constantly high performance.

Deluxe Cab

Ergonomic Design

The modern cab design provides excellent conditions for healthy, concentrated and productive work in maximum comfort. The colour touchscreen display, the controls and operator's seat Comfort are all coordinated to form a perfect ergonomic unit. In addition the ergonomic joysticks allow the machine operation to be both pleasant and precise.

Excellent All-Round Vision

The large areas of glass, different versions of cab elevations and the rear and side area monitoring systems provide the operator with an excellent view of his working area and the zone around the machine. This perfect view enhances the operator's safety and ensures that he can handle the machine safely at all times.

Low Noise Levels

The use of viscoelastic mounts, good insulation and low-noise diesel engines from Liebherr minimizes noise emissions and vibrations. The noise levels are just 71 dB(A) in the operator's cab and 103 dB(A) outside. This means that the material handler LH 60 have low noise to preserve people and the environment.



Comfortable Operation

Proportional Control

Precision and fine control of the material handling machine are especially important in applications such as scrap recycling or when handling bulk material. Thanks to the standard proportional control, even such demanding operations can be mastered in style.

Steering and Stabilizer on Joystick

The standard joystick steering gives the operator an additional comfort boost. The steering movement can be conveniently executed using the joystick, eliminating the need to reposition during the work cycle. Abandoning the steering wheel in favour of joystick steering provides additional legroom and a clear view of the working area. A new standard feature is the control of the outriggers with the joystick for more comfort and an increased productivity of the machine.

Colour Touchscreen Display and Operation Unit

The 7" colour touchscreen display is intuitive in its operation and provides continuous information about all important operating data. The shortcut keys can be individually assigned and are selected quickly and easily with the menu strip.

Safe Access

- Foldable left arm console, as well as wide, non-slip steps, catwalks and platforms, and ergonomically positioned handles for an easy and safe access
- All access systems are designed to national guidelines and statutory regulations
- Sliding door for comfortable entry with narrow platforms is available as an option

Operator's Seat Comfort with Adjustable Armrests

- Greater seating comfort due to variable damper hardness, lockable horizontal suspension, pneumatic lumbar support, seat heating and passive seat air conditioning for concentrated working
- Individual adjustment options for armrests, seat cushion depth, seat angle and head restraint for healthful working

Joystick with Proportional Control

- Good functionality with streamlined, ergonomic design
- 4-way mini-joystick enables versatile possibilities of control without having to encompass, for example steering, outriggers, cab elevation or attachments
- Joysticks – each with two buttons and a rocker switch – also increase the number of functions and thanks to the new design maximum reliability is guaranteed

Maintainability



Efficiency Bonus – Even with Maintenance and Service

The Liebherr material handling machine LH 60 is powerful, robust, precise and efficient. It also features integral maintenance benefits as a result of their service-based machine design. The maintenance work for the Liebherr material handler can be carried out quickly, easily and safely. This minimizes the material handling machine's maintenance costs and down times.

Elaborate Maintenance Concept

Service-Based Machine Design

The service-based machine design guarantees short servicing times, thus minimizing maintenance costs due to the time it saves. All the maintenance points are easily accessible on catwalks and platforms, and easy to reach due to the large, wide-opening service doors. The enhanced service concept places the maintenance points close to each other and reduces their number to a minimum. This means that service work can be completed even more quickly and efficiently.

Integral Maintenance Benefits

Completing maintenance work helps keep the machine fully functional. Maintenance work does, however, mean machine down times which must be minimized. With change intervals of up to 2,000 hours for engine oil and up to 8,000 hours for hydraulic oil Liebherr reduce the amount of maintenance significantly and increase the productivity of the material handlers. In addition, central lubrication systems assist to optimize the daily amount of maintenance.

Your Competent Service Partner

Remanufacturing

The Liebherr remanufacturing program offers cost-effective reconditioning of components to the highest quality standards. Various reconditioning levels are available: Replacement components, general overhaul or repair. The customer receives components with original part quality at a reduced cost.

Competent Advice and Service

Competent advice is given at Liebherr. Experienced specialists provide decision guidance for your specific requirements: application-oriented sales support, service agreements, value-priced repair alternatives, original parts management, as well as remote data transmission for machine planning and fleet management.



Lubrication as it Works

- Fully automatic central lubrication system for uppercarriage and attachment
- Fully automatic central lubrication system for the undercarriage and attachments available as an option
- Lubricates without interrupting work to ensure better productivity and a long component service life

Excellent Service Access

- Large, wide-opening service doors
- Engine oil, fuel, air and cab air filters are easily and safely accessible on catwalks and platforms
- The oil level in the hydraulic tank can be checked from the cab
- Short service times for more productivity

Rapid Spare Parts Service

- 24-hour delivery: Spare parts service is available for our dealers around the clock
- Electronic spare parts catalogue: Fast and reliable selection and ordering via the Liebherr online portal
- With online tracking, the current processing status of your order can be viewed at any time

Material Handling Machines Overview

Uppercarriage

- 2-circuit Liebherr-Synchron-Comfort-system (LSC) with LUDV technology for faster working speed at up to 20% less fuel consumption
- 190 kW engine output and greater pump flow for fast work cycles, convincing dynamics and maximum handling performance
- Electrical pilot control enables individual settings for the operator and new options such as load torque limitation
- Reduction in operating costs thanks to built-in maintenance advantages and optimum service accessibility

Undercarriage

- Optimized hydraulics with closed slewing mechanism circuit for greater fuel efficiency and faster work cycles
- Central lubrication system (manual/full automatic) for more productive working time (optional available)
- Load-holding valves fitted as standard on all support cylinders for maximum stability in every application
- Low service costs thanks to travel drive without gearbox and cardan shafts





Attachment

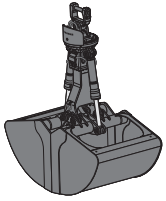
- High load capacities and long reaches thanks to optimised kinematic properties and robust construction for greater handling performance
- Energy recovery cylinder filled with nitrogen for maximum efficiency through less fuel consumption at more handling capacity
- Pipe fracture safety valves on hoist and stick cylinders and retract stick shut-off for maximum safety during every application
- Electro-hydraulic end position control extends the service life of the components
- Quick coupling systems and attachments made by Liebherr for maximum machine capacity utilisation and greater handling performance

Operator's Cab

- Joystick steering without steering column as standard for convenient operation, greater legroom and clear view of the working area
- Less strain on the operator, workers and reduced environmental pollution due to lower noise emissions
- Optimum visibility thanks to large glass surfaces and standard rear and side area monitoring with camera
- Proportional control as standard with 4-way minijoystick for greater precision, highprecision control and functions

The Perfect Solution for Every Application

Attachments



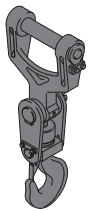
Shells for loose material



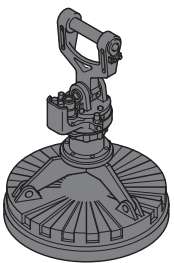
Multi-tine grab



Wood grab

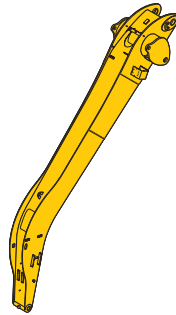


Load hook

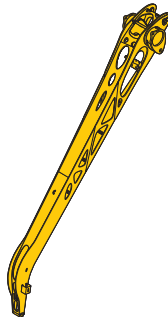


Magnet devices

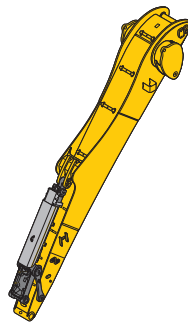
Sticks



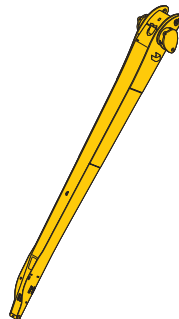
Angled stick



Lightweight stick

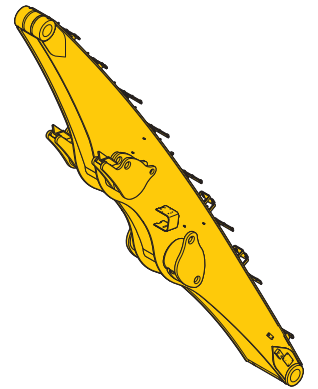


Stick with tipping kinematics

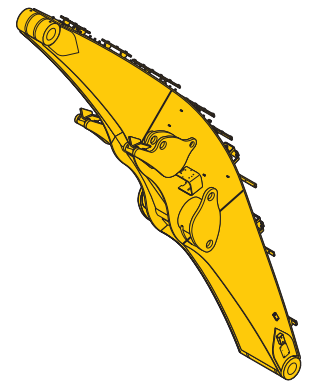


Straight stick

Booms



Straight boom

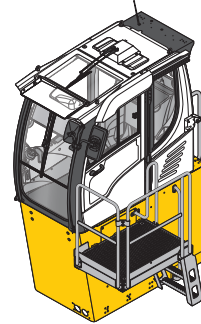


Angled boom

Cab Elevations

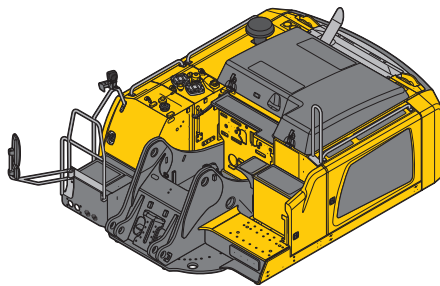


Hydraulic cab elevation



Rigid cab elevation

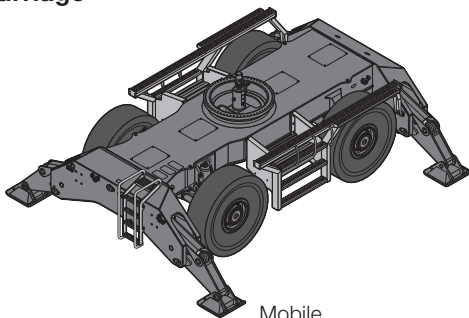
Uppercarriage



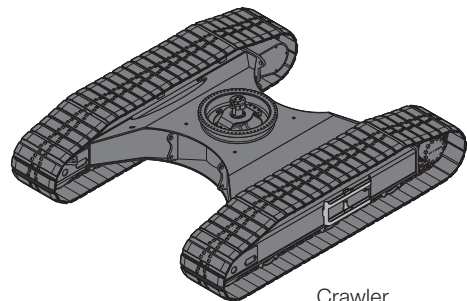
Turret Elevations



Undercarriage



Mobile



Crawler

Experience the Progress

The invention of the mobile tower crane in 1949 also marked the birth of the Liebherr company. During its first decade the small construction company developed into an established manufacturer of construction machines and other technically advanced products. The R 353 and its first industrial attachment were launched in 1951 to lay the foundations for the production of today's material handling machines. The A 911

mobile material handling machine a few years later enabled the company to make the breakthrough into material handling. Over the years the machines have been developed continually and today they are designed uncompromisingly for industrial use.

1949

First tower crane TK10



1968

Breakthrough with the A 911 mobile material handler



1974

Silenced material handling machine



R 353 with the first industrial attachment

1961



Production plant in Kirchdorf

1970



First hydraulic cab elevation

1983

Liebherr has now been developing and manufacturing material handling machines for a very wide range of applications in the scrap, port and timber handling sectors and for the waste and recycling industry for over 50 years. In the development of its machines, Liebherr chooses quality, durability and reliability from the very outset, together with performance and economy. Years of experience in design and construction are not only

reflected in the end product but also in the components which are developed, designed and manufactured by Liebherr itself. This multiple sector expertise is used in product design from the early phase of the development process and thus allows high level technical innovations to be made.

2007

Opening of the assembly building for material handling machines



2013

Launch of the new LH series



2016

Launch of the new Port Material Handling Machines

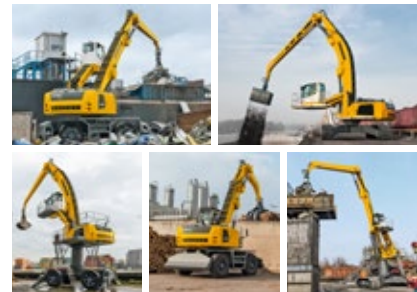


Awarded the Bauma Design Prize for the LH 120

2010



Awarded the Bauma Innovation Prize for the ERC cylinder



Awarded the IF Award for the material handling machine LH 60

2014

Technical Data



Diesel Engine

Rating per SAE J1349/ISO 9249	255 HP (l) (190 kW) at 1,800 rpm
Model	Liebherr D944
Type	4 cylinder in-line
Bore/Stroke	5.1/5.9 in
Displacement	488 in ³
Engine operation	4-stroke diesel Common-Rail turbo-charged and after-cooled reduced emissions
Air cleaner	dry-type air cleaner with pre-cleaner, primary and safety elements
Engine idling	sensor controlled
Electrical system	
Voltage	24 V
Batteries	2 x 180 Ah/ 12 V
Alternator	three-phase current 28 V/ 140 A
Stage Tier 4f	
Harmful emissions values	in accordance with EPA/CARB-40CFR stage Tier 4f
Emission control	Liebherr-SCR technology
Fuel tank	137 gal
Urea tank	17 gal



Cooling System

Diesel engine	water-cooled compact cooling system consisting cooling unit for water, hydraulic oil and charge air with step-less thermostatically controlled fan
----------------------	---



Hydraulic Controls

Power distribution	via control valves with integrated safety valves, simultaneous actuation of chassis and equipment. Swing drive in separate closed circuit
Servo circuit	
Equipment and swing	with electro-hydraulic pilot control and proportional joystick levers
Chassis	
Mobile	electroproportional via foot pedal
Crawler	with electric proportionally functioning foot pedals or adjusted with plugable levers
Additional functions	via switch or electroproportional foot pedals
Proportional control	proportionally acting transmitters on the joysticks for additional hydraulic functions



Hydraulic System

Hydraulic pump	for equipment and travel drive	2 Liebherr axial piston variable displacement pumps (double construction)
Max. flow		2 x 80 gpm
Max. pressure		5,076 psi
for swing drive		reversible axial piston variable displacement pump, closed-loop circuit
Max. flow		53 gal
Max. pressure		5,366 psi
Hydraulic pump regulation and control		2 circuit Liebherr-Synchron-Comfort-system (LSC) with electronic engine speed sensing regulation, pressure and flow compensation, automatic oil flow optimizer
Hydraulic tank		70 gal
Hydraulic system		235 gal
Hydraulic oil filter		2 main return filters with integrated partial micro filtration (5 µm)
MODE selection		adjustment of engine and hydraulic performance via a mode pre-selector to match application, e.g. for especially economical and environmentally friendly operation or for maximum material handling and heavy-duty jobs
S (Sensitive)		mode for precision work and lifting through very sensitive movements
E (Eco)		mode for especially economical and environmentally friendly operation
P (Power)		mode for high performance with low fuel consumption
P+ (Power-Plus)		mode for highest performance and for very heavy duty applications, suitable for continuous operation
Engine speed and performance setting		stepless alignment of engine output and hydraulic power via engine speed
Option		Tool Control: 20 preadjustable pump flows and pressures for add-on attachments



Swing Drive

Drive	Liebherr axial piston motor in a closed system, Liebherr planetary reduction gear
Swing ring	Liebherr, sealed race ball bearing swing ring, internal teeth
Swing speed	0 – 8.0 rpm stepless 0 – 6.5 rpm stepless (High Rise)
Swing torque	87,032 lbf ft
Holding brake	wet multi-disc (spring applied, pressure released)
Option	slewing gear brake Comfort



Operator's Cab

Cab	safety cab structure with individual windscreens or featuring a slide-in subpart under the ceiling, work headlights integrated in the ceiling, a door with a sliding window (can be opened on both sides), large stowing and depositing possibilities, shock-absorbing suspension, sounddampening insulating, tinted laminated safety glass, separate shades for the sunroof window and windscreen
High Rise	deviating from standard: safety cab structure with fixed built-in front and roof window made from impact-resistant laminated safety glass
Operator's seat Comfort	air cushioned operator's seat with 3D-adjustable armrests, headrest, lap belt, seat heater, adjustable seat cushion inclination and length, lockable horizontal suspension, automatic weight adjustment, adjustable suspension stiffness, pneumatic lumbar vertebrae support and passive seat climatization with active coal
Operator's seat Premium (Option)	in addition to operator's seat comfort: active electronic weight adjustment (automatic re-adjustment), pneumatic low frequency suspension and active seat climatization with active coal and ventilator
Control system	joysticks with control consoles and swivel seat, folding left control console
Operation and displays	large high-resolution operating unit, self-explanatory, color display with touchscreen, video-compatible, numerous setting, control and monitoring options, e.g. air conditioning control, fuel consumption, machine and attachment parameters
Air-conditioning	automatic air-conditioning, recirculated air function, fast de-icing and demisting at the press of a button, air vents can be operated via a menu; recirculated air and fresh air filters can be easily replaced and are accessible from the outside; heating-cooling unit, designed for extreme outside temperatures, sensors for solar radiation, inside and outside temperatures



Equipment

Type	high-strength steel plates at highlystressed points for the toughest requirements. Complex and stable mountings of equipment and cylinders
Hydraulic cylinders	Liebherr cylinders with special seal system as well as shock absorption
Energy recovering cylinder	Liebherr gas cylinder with special sealing and control system
Bearings	sealed, low maintenance



Undercarriage

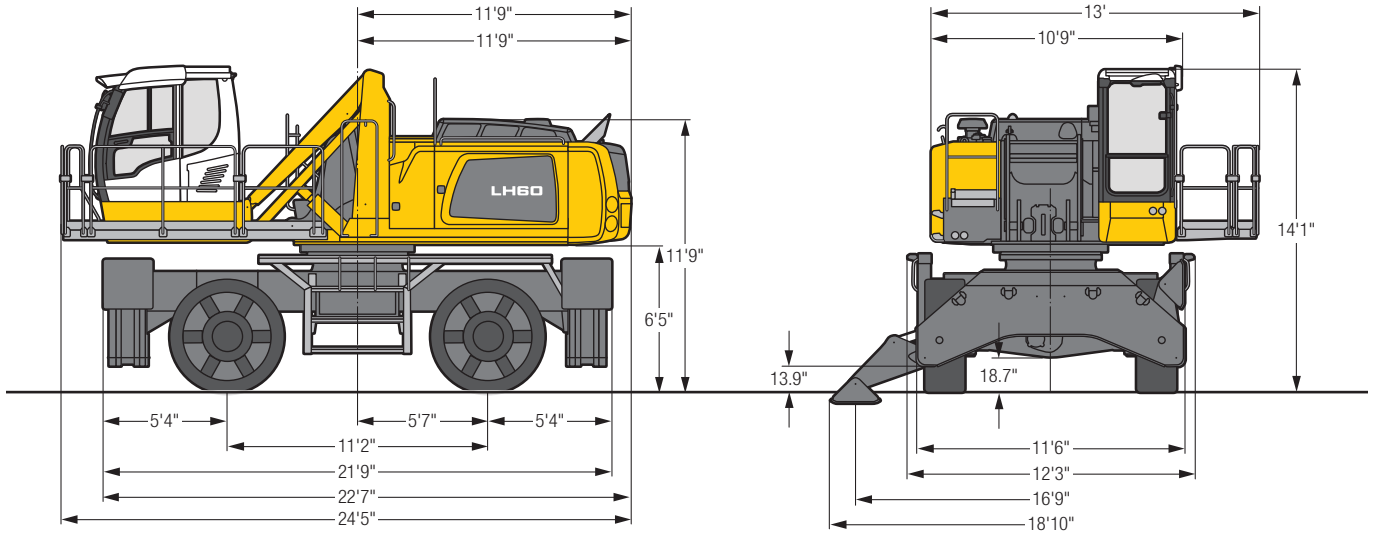
Mobile	
Version	High Rise
Drive	one axle drive per drive axle with Liebherr axial piston motor and functional brake valve on both sides
Travel speed	
Joystick steering	0 – 2.5 mph stepless (creeper speed) 0 – 7.5 mph stepless 0 – 2.2 mph stepless (creeper speed) (High Rise) 0 – 6.2 mph stepless (High Rise)
Driving operation	automotive driving using accelerator pedal, cruise control function: storage of variable accelerator pedal positions
Axles	154,324 lb / 198,400 lb drive axles (LH 60 M / LH 60 M High Rise); manual or automatic hydraulically controlled front axle oscillation lock
Service brake	two circuit travel brake system with accumulator; disc brake
Holding brake	wet multi-disc (spring applied, pressure released)
Stabilization	4 point outriggers
Crawler	
Versions	EW, SW, High Rise
Drive	Liebherr compact planetary reduction gear with Liebherr axial piston motor per side of undercarriage
Travel speed	0 – 1.7 mph stepless (creeper speed) 0 – 2.5 mph stepless 0 – 1.6 mph stepless (creeper speed) (High Rise) 0 – 2.5 mph stepless (High Rise)
Brake	functional brake valves on both sides
Holding brake	wet multi-disc (spring applied, pressure released)
Track pads	triple grouser, flat
Tracks	sealed and greased



Complete Machine

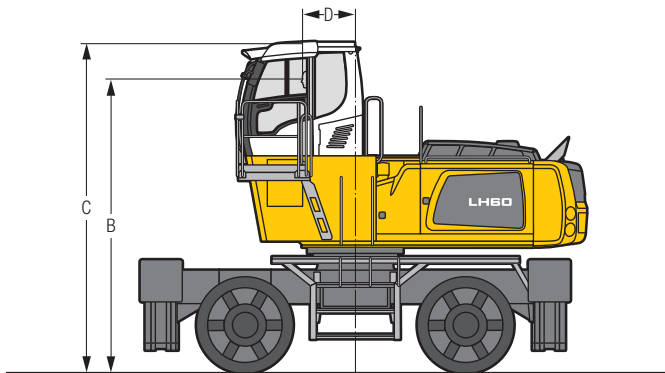
Lubrication	Liebherr central lubrication system for upper-carriage and equipment, automatically
Mobile (Option)	Liebherr central lubrication system for undercarriage, automatically
Steps system	safe and durable access system with anti-slip steps main components hot-galvanized

LH 60 M – Dimensions



LH 60 M – Choice of Cab Elevation

Cab Elevation LFC (Rigid Elevation)

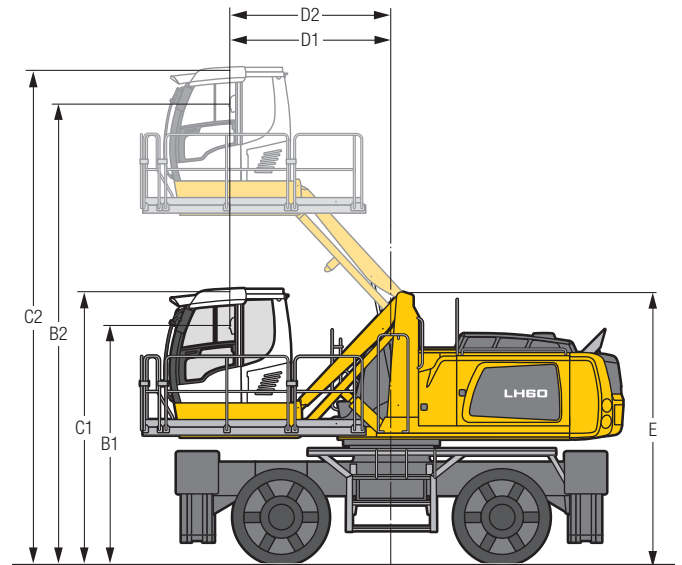


Increase type	LFC 120
Height	3'11"
B	14'11"
C	16' 8"
D	2' 8"

A rigid cab elevation has a fixed eye level height. For a lower transport height, the shell of the cab can be removed and replaced by a transport device. The dimension C is in this machine design for all rigid cab elevations 12'4".

Tires 18.00-25

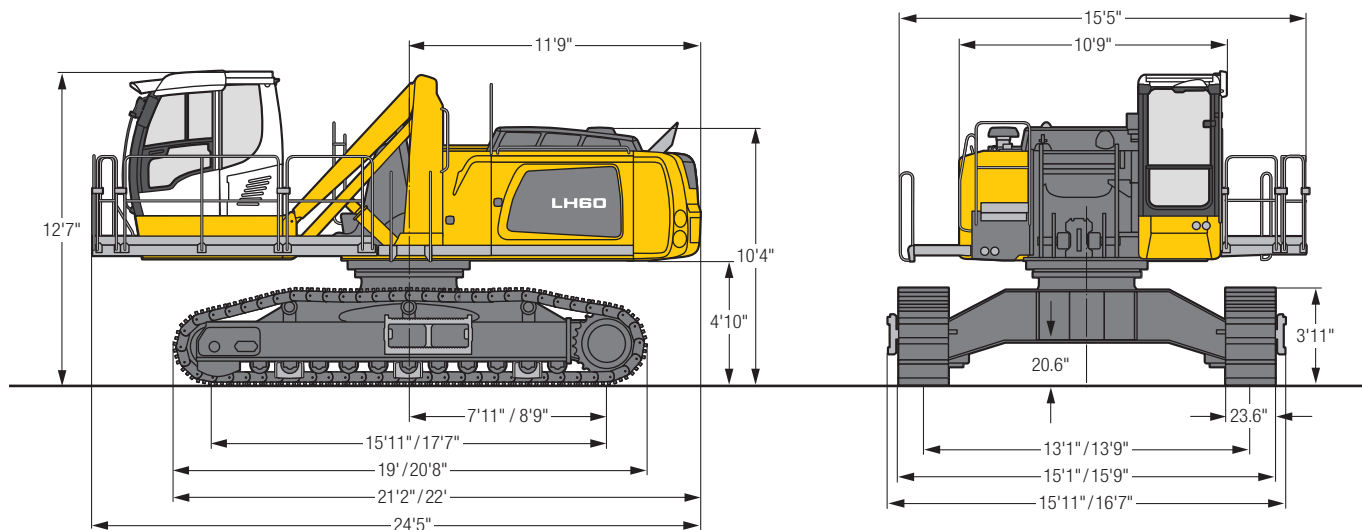
Cab Elevation LHC (Hydraulic Elevation)



Increase type	LHC 255	LHC 340-35
B1	11'	12' 2"
B2	19' 4"	23' 4"
C1	12' 9"	13'11"
C2	21' 2"	25' 1"
D1	4' 5"	8' 2"
D2	4'10"	8' 2"
E	12' 7"	13'10"

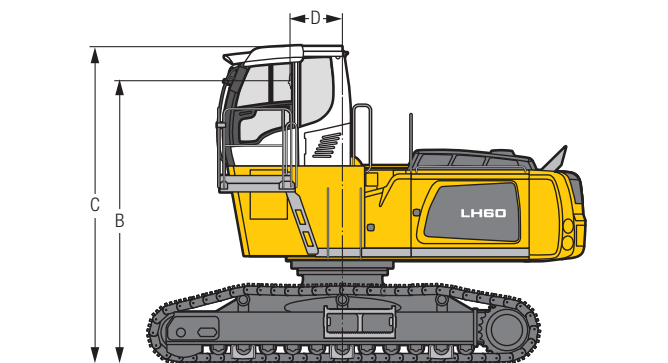
The hydraulically adjustable cab allows the driver, that he can choose his field of view freely and at any time within the stroke.

LH 60 C EW/SW – Dimensions



LH 60 C EW/SW – Choice of Cab Elevation

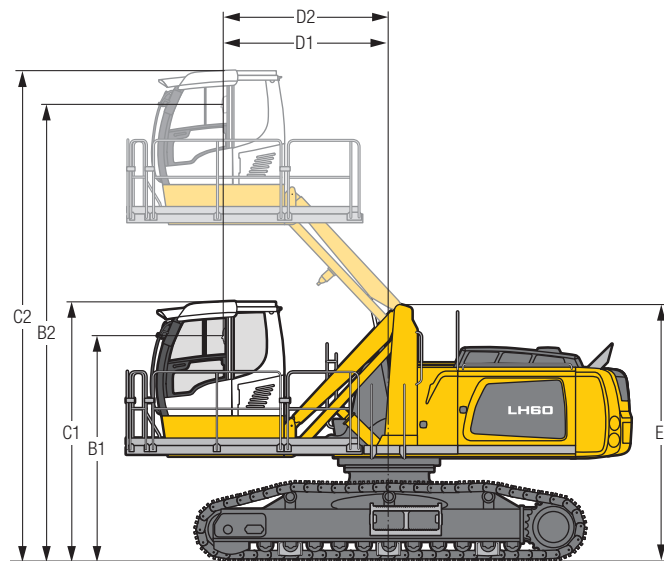
Cab Elevation LFC (Rigid Elevation)



Increase type	LFC 120
Height	3'11"
B	13' 8"
C	15' 3"
D	2' 6"

A rigid cab elevation has a fixed eye level height. For a lower transport height, the shell of the cab can be removed and replaced by a transport device. The dimension C is in this machine design for all rigid cab elevations 12'4".

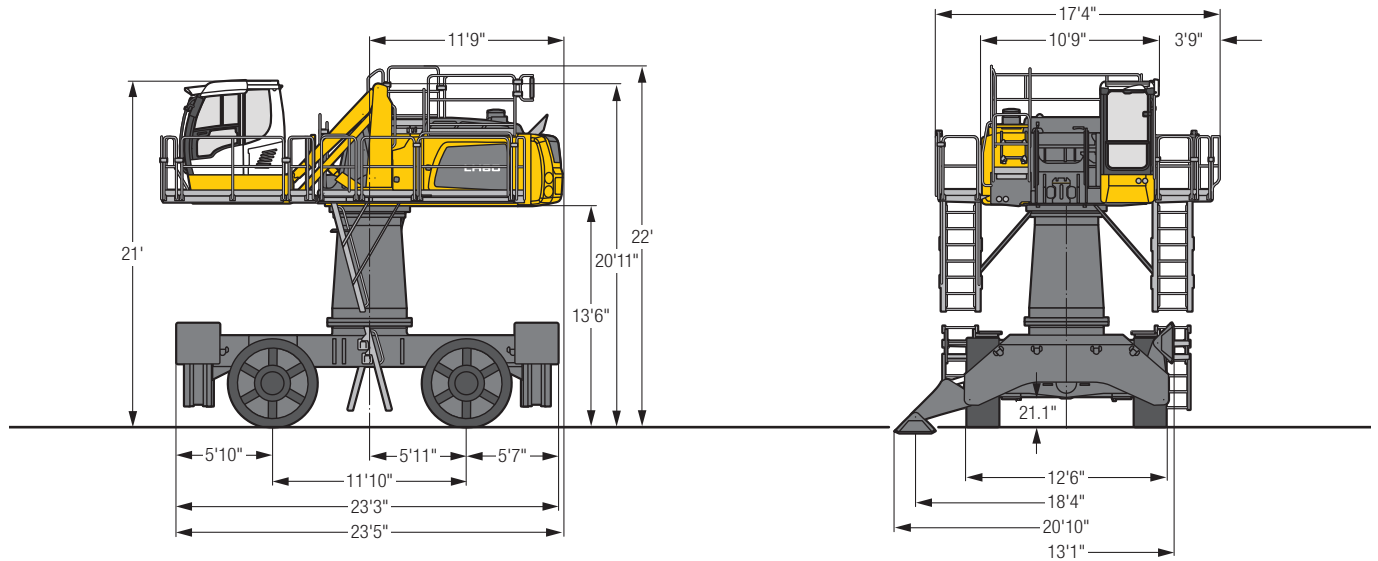
Cab Elevation LHC (Hydraulic Elevation)



Increase type	LHC 340-35
B1	10'11"
B2	22' 2"
C1	12' 6"
C2	23' 8"
D1	8'
D2	8'
E	12' 5"

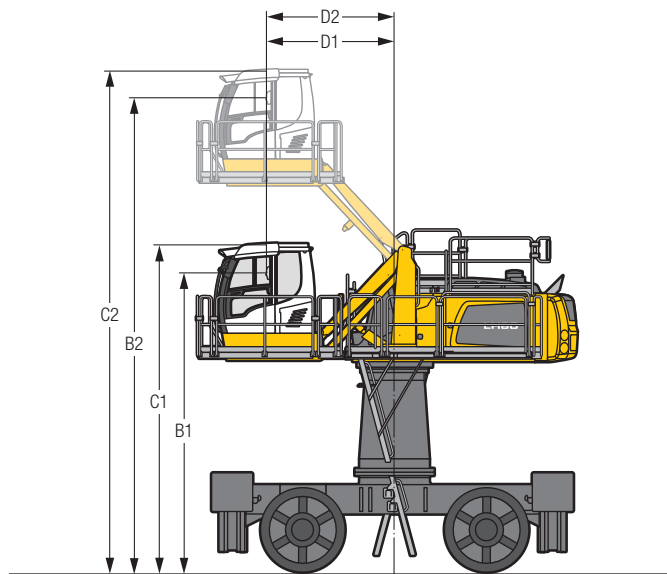
The hydraulically adjustable cab allows the driver, that he can choose his field of view freely and at any time within the stroke.

LH 60 M HR – Dimensions



LH 60 M HR – Cab Elevation

Cab Elevation LHC (Hydraulic Elevation)

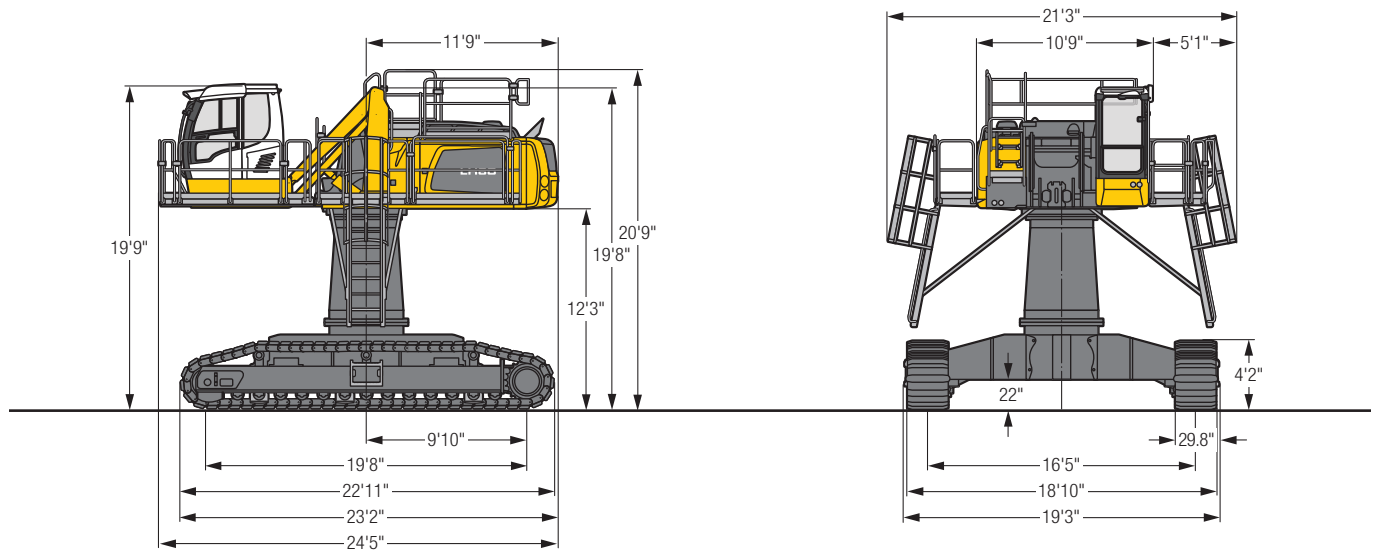


Increase type	LHC 340-35
B1	19'2"
B2	30'5"
C1	21'
C2	32'2"
D1	8'2"
D2	8'2"

The hydraulically adjustable cab allows the driver, that he can choose his field of view freely and at any time within the stroke.

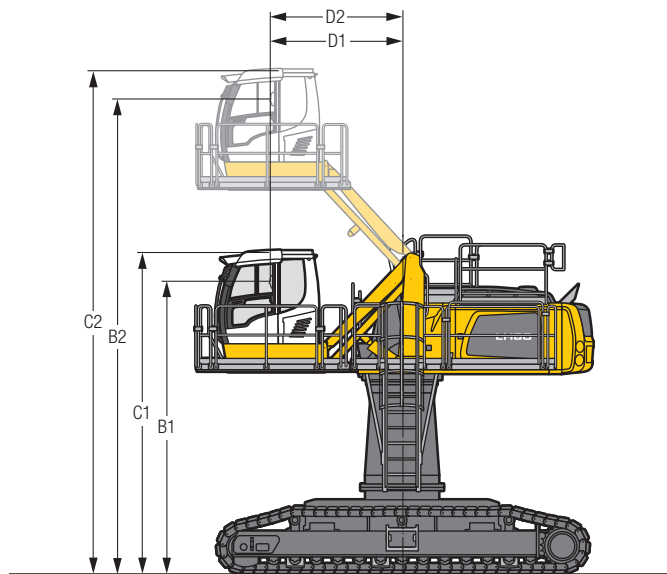
Tires 23.5-25

LH 60 C HR – Dimensions



LH 60 C HR – Cab Elevation

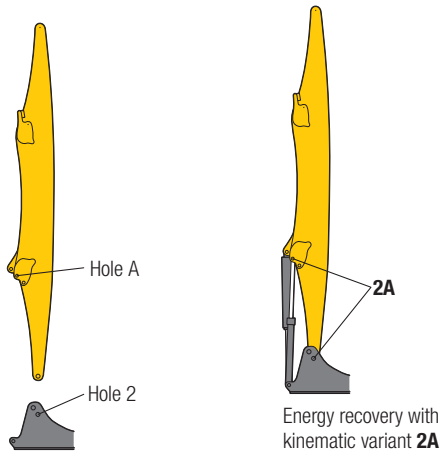
Cab Elevation LHC (Hydraulic Elevation)



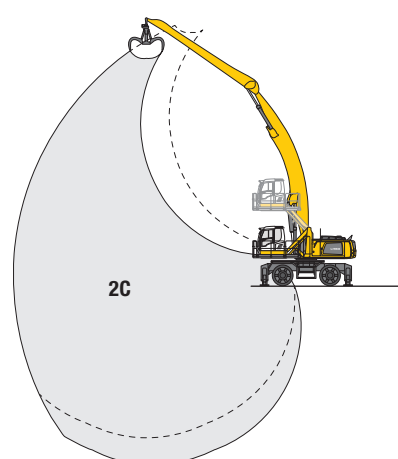
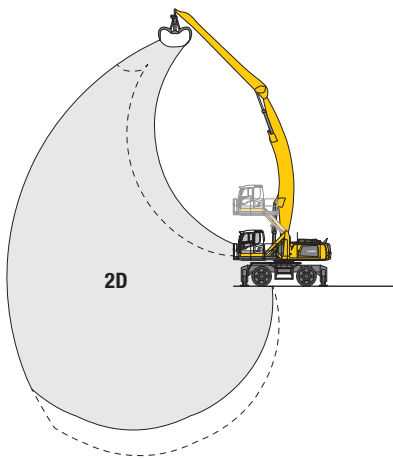
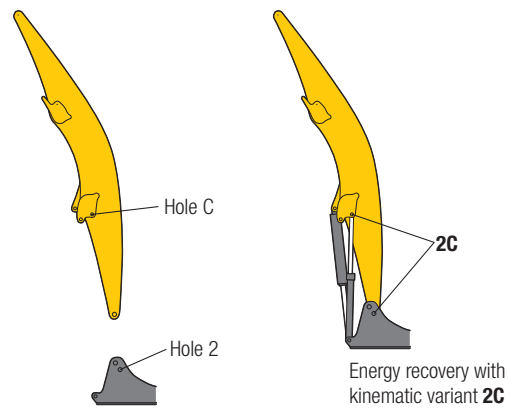
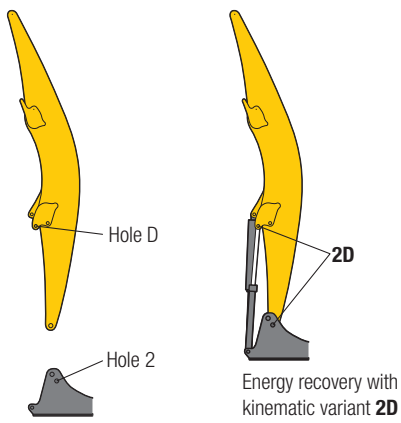
Increase type	LHC 340-35
B1	18'
B2	29'2"
C1	19'9"
C2	31'
D1	8'2"
D2	8'2"

The hydraulically adjustable cab allows the driver, that he can choose his field of view freely and at any time within the stroke.

Kinematic Variant 2A



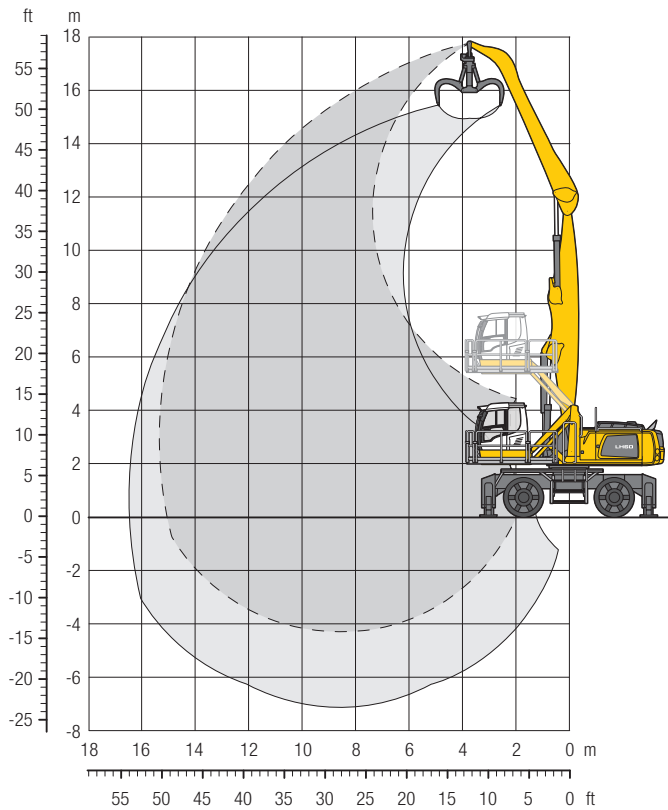
Kinematic Variant 2D/2C



Altered range curve with additional reach depth, e.g. for unloading from ships

LH 60 M – Equipment GA15

Industry – Kinematic 2A

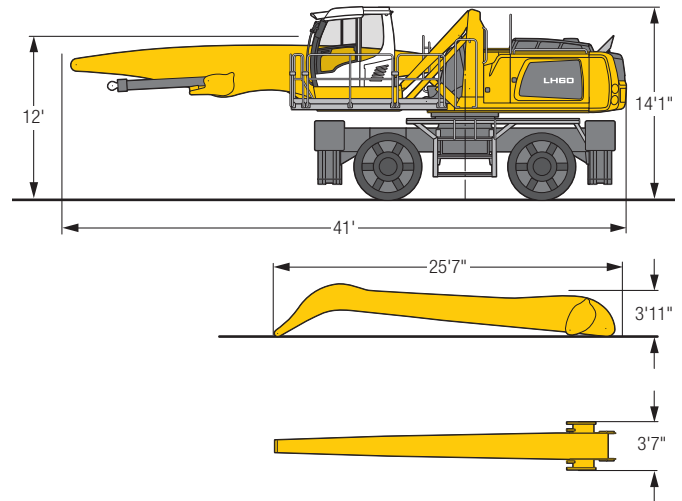


Operating Weight

The operating weight includes the basic machine with 4 point outriggers, hydr. cab elevation, 4 solid tires, straight boom 27'11", angled stick 23'11" and multi-tine grab GMM 80-5/ 1.44 yd³ semi-closed tines.

Weight 130,300 lb

Dimensions



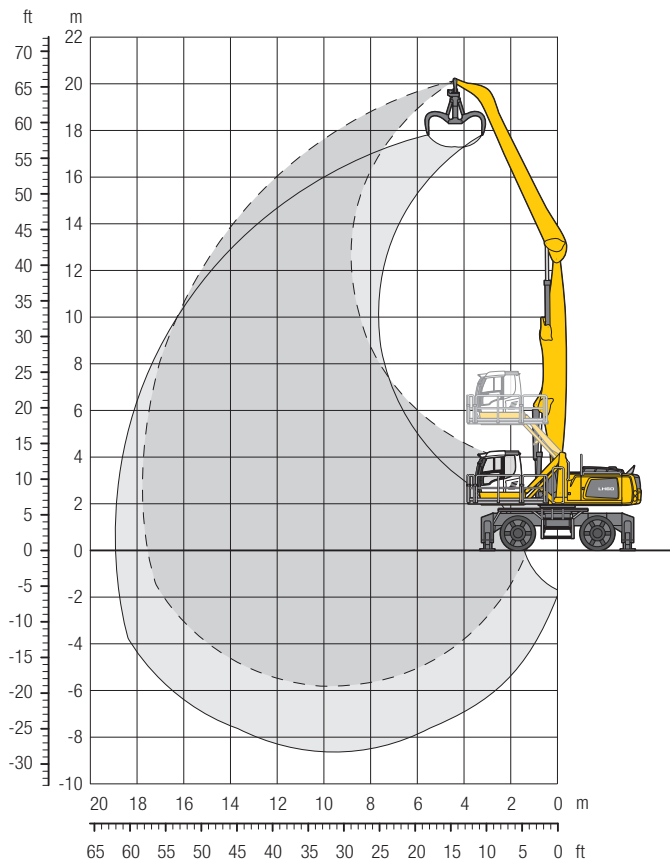
ft	Undercarriage	20 ft		25 ft		30 ft		35 ft		40 ft		45 ft		50 ft		55 ft		60 ft		65 ft		ft in		
		4 pt. outriggers down	4 pt. outriggers down	4 pt. outriggers down	4 pt. outriggers down	4 pt. outriggers down	4 pt. outriggers down	4 pt. outriggers down	4 pt. outriggers down	4 pt. outriggers down	4 pt. outriggers down	4 pt. outriggers down	4 pt. outriggers down	4 pt. outriggers down	4 pt. outriggers down	4 pt. outriggers down	4 pt. outriggers down	4 pt. outriggers down	4 pt. outriggers down	4 pt. outriggers down	4 pt. outriggers down	4 pt. outriggers down	4 pt. outriggers down	4 pt. outriggers down
55	4 pt. outriggers down	24,7*	24,7*																			22,1*	22,1*	21' 11"
50	4 pt. outriggers down			24,6*	24,6*	18,5*	18,5*															18,1*	18,1*	30' 2"
45	4 pt. outriggers down			27,1*	27,1*	23,9*	23,9*	18,0*	18,0*													16,2*	16,2*	35' 11"
40	4 pt. outriggers down			27,6*	27,6*	25,0*	25,0*	22,8*	22,8*	15,7*	15,7*											15,2*	15,2*	40' 4"
35	4 pt. outriggers down			27,6*	27,6*	24,9*	24,9*	22,9*	22,9*	20,9*	20,9*											14,5*	14,5*	43' 7"
30	4 pt. outriggers down			28,2*	28,2*	25,3*	25,3*	23,1*	23,1*	21,3*	21,3*	16,8*	16,8*									14,1*	14,1*	46' 1"
25	4 pt. outriggers down			29,3*	29,3*	26,1*	26,1*	23,5*	23,5*	21,5*	21,5*	19,7*	19,7*									14,0*	14,0*	48"
20	4 pt. outriggers down	35,1*	35,1*	31,1*	31,1*	27,1*	27,1*	24,2*	24,2*	21,8*	21,8*	19,8*	19,8*									14,0*	14,0*	49' 4"
15	4 pt. outriggers down	40,2*	40,2*	33,2*	33,2*	28,4*	28,4*	24,9*	24,9*	22,2*	22,2*	19,9*	19,9*	14,5*	14,5*							14,2*	14,2*	50' 1"
10	4 pt. outriggers down	43,8*	43,8*	35,2*	35,2*	29,6*	29,6*	25,6*	25,6*	22,5*	22,5*	19,9*	19,9*	15,8*	15,8*							14,6*	14,6*	50' 4"
5	4 pt. outriggers down	46,5*	46,5*	36,8*	36,8*	30,5*	30,5*	26,1*	26,1*	22,6*	22,6*	19,5*	19,5*	15,5*	15,5*							15,1*	15,1*	50' 1"
0	4 pt. outriggers down	47,3*	47,3*	37,3*	37,3*	30,7*	30,7*	25,9*	25,9*	22,1*	22,1*	18,5*	18,5*									14,5*	14,5*	49' 5"
-5	4 pt. outriggers down	45,4*	45,4*	36,3*	36,3*	29,8*	29,8*	24,9*	24,9*	20,7*	20,7*	16,5*	16,5*									14,4*	14,4*	47"
-10	4 pt. outriggers down	40,4*	40,4*	33,0*	33,0*	27,2*	27,2*	22,4*	22,4*	18,0*	18,0*											16,5*	16,5*	41' 6"

Height **Can be slewed through 360°** **In longitudinal position of undercarriage** **Max. reach** * Limited by hydr. capacity

The lift capacities on the stick end without attachment are stated in lb x 1,000 and are valid on a firm, level supporting surface with blocked oscillating axle. These capacities can be slewed through 360° with the undercarriage in the transverse position. Capacities in the longitudinal position of the undercarriage (+/- 15°) are specified over the rigid axle with the stabilizers down. Indicated loads based on the ISO 10567 standard and do not exceed 75% of tipping or 87% of hydraulic capacity. The lift capacity values indicated are attained at the corresponding operating temperature. This operating temperature is ensured by continuous movement of the boom. Weights of fitted attachments (grabs, load hooks, etc.) and load accommodation attachment are to be deducted from the lift capacity values. The lift capacity of the unit is limited by its stability, the lifting capability of the hydraulic elements, or the maximum permissible lifting capacity of the load hook.

LH 60 M – Equipment GA18

Industry – Kinematic 2A

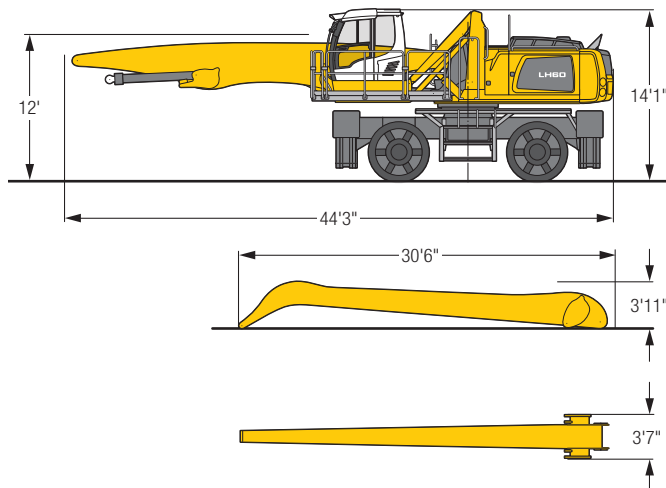


Operating Weight

The operating weight includes the basic machine with 4 point outriggers, hydr. cab elevation, 4 solid tires, straight boom 31'2", angled stick 28'10" and multi-tine grab GMM 80-5/ 1.44 yd³ semi-closed tines.

Weight 131,600 lb

Dimensions



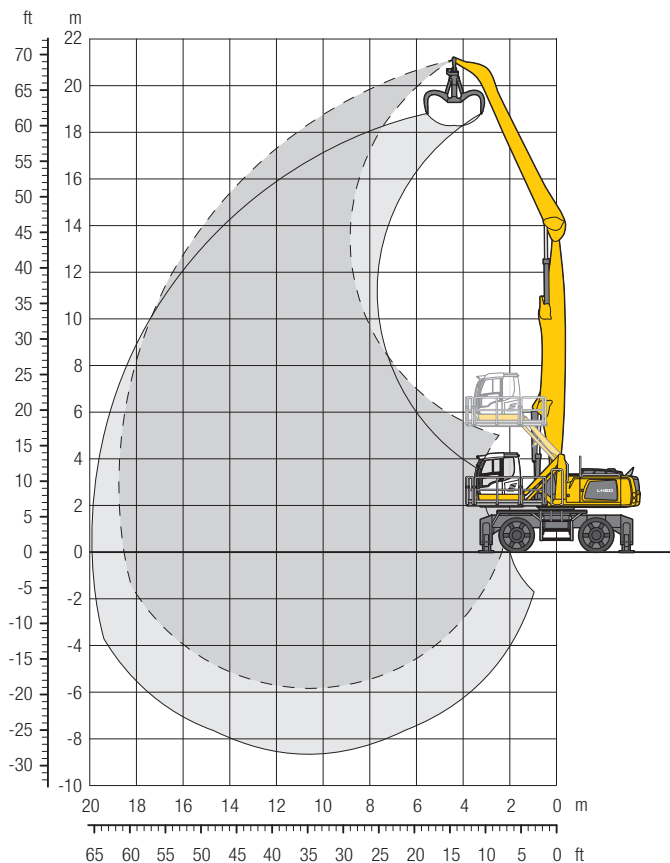
ft	Undercarriage	20 ft		25 ft		30 ft		35 ft		40 ft		45 ft		50 ft		55 ft		60 ft		65 ft		ft in		
		4 pt. outriggers down	4 pt. outriggers down	4 pt. outriggers down	4 pt. outriggers down	4 pt. outriggers down	4 pt. outriggers down	4 pt. outriggers down	4 pt. outriggers down	4 pt. outriggers down	4 pt. outriggers down	4 pt. outriggers down	4 pt. outriggers down	4 pt. outriggers down	4 pt. outriggers down	4 pt. outriggers down	4 pt. outriggers down	4 pt. outriggers down	4 pt. outriggers down	4 pt. outriggers down	4 pt. outriggers down	4 pt. outriggers down	4 pt. outriggers down	4 pt. outriggers down
65	4 pt. outriggers down																					21,9"	21,9"	18' 5"
60	4 pt. outriggers down			20,8"	20,8"																	16,5"	16,5"	29' 6"
55	4 pt. outriggers down					20,3"	20,3"	16,4"	16,4"													14,2"	14,2"	36'10"
50	4 pt. outriggers down					22,0"	22,0"	19,6"	19,6"	15,8"	15,8"											12,9"	12,9"	42' 2"
45	4 pt. outriggers down					22,4"	22,4"	20,5"	20,5"	18,8"	18,8"	14,3"	14,3"									12,1"	12,1"	46' 6"
40	4 pt. outriggers down					22,3"	22,3"	20,3"	20,3"	18,8"	18,8"	17,5"	17,5"									11,6"	11,6"	49'11"
35	4 pt. outriggers down					22,5"	22,5"	20,4"	20,4"	18,8"	18,8"	17,4"	17,4"	15,3"	15,3"							11,3"	11,3"	52' 7"
30	4 pt. outriggers down					23,0"	23,0"	20,8"	20,8"	19,0"	19,0"	17,5"	17,5"	16,3"	16,3"							11,1"	11,1"	54' 8"
25	4 pt. outriggers down			25,3"	25,3"	23,8"	23,8"	21,3"	21,3"	19,4"	19,4"	17,7"	17,7"	16,3"	16,3"	13,6"	13,6"					11,0"	11,0"	56' 4"
20	4 pt. outriggers down	24,5"	24,5"	28,6"	28,6"	24,9"	24,9"	22,1"	22,1"	19,8"	19,8"	18,0"	18,0"	16,5"	16,5"	14,8"	14,9"					11,1"	11,1"	57' 6"
15	4 pt. outriggers down	33,2"	33,2"	30,6"	30,6"	26,1"	26,1"	22,9"	22,9"	20,3"	20,3"	18,3"	18,3"	16,6"	16,6"	14,6"	14,9"					11,2"	11,2"	58' 1"
10	4 pt. outriggers down	40,6"	40,6"	32,6"	32,6"	27,4"	27,4"	23,7"	23,7"	20,8"	20,8"	18,6"	18,6"	16,6"	16,6"	14,4"	14,7"					11,5"	11,5"	58' 4"
5	4 pt. outriggers down	43,4"	43,4"	34,3"	34,3"	28,4"	28,4"	24,3"	24,3"	21,2"	21,2"	18,7"	18,7"	16,4"	16,5"	14,2"	14,2"					11,8"	11,8"	58' 1"
0	4 pt. outriggers down	44,8"	44,8"	35,3"	35,3"	29,0"	29,0"	24,6"	24,6"	21,2"	21,2"	18,5"	18,5"	16,0"	16,0"	13,4"	13,4"					11,5"	11,5"	57' 6"
-5	4 pt. outriggers down	36,5"	36,5"	35,0"	35,0"	28,8"	28,8"	24,3"	24,3"	20,8"	20,8"	17,8"	17,8"	15,1"	15,1"	11,8"	11,8"					10,6"	10,6"	56' 2"
-10	4 pt. outriggers down	32,9"	32,9"	33,3"	33,3"	27,6"	27,6"	23,2"	23,2"	19,6"	19,6"	16,5"	16,5"	13,3"	13,3"							11,5"	11,5"	52' 5"
-15	4 pt. outriggers down	33,2"	33,2"	29,8"	29,8"	24,9"	24,9"	20,9"	20,9"	17,4"	17,4"	14,1"	14,1"									13,3"	13,3"	46' 1"

Height **Can be slewed through 360°** **In longitudinal position of undercarriage** **Max. reach** *** Limited by hydr. capacity**

The lift capacities on the stick end without attachment are stated in lb x 1,000 and are valid on a firm, level supporting surface with blocked oscillating axle. These capacities can be slewed through 360° with the undercarriage in the transverse position. Capacities in the longitudinal position of the undercarriage (+/- 15°) are specified over the rigid axle with the stabilizers down. Indicated loads based on the ISO 10567 standard and do not exceed 75% of tipping or 87% of hydraulic capacity. The lift capacity values indicated are attained at the corresponding operating temperature. This operating temperature is ensured by continuous movement of the boom. Weights of fitted attachments (grabs, load hooks, etc.) and load accommodation attachment are to be deducted from the lift capacity values. The lift capacity of the unit is limited by its stability, the lifting capability of the hydraulic elements, or the maximum permissible lifting capacity of the load hook.

LH 60 M – Equipment GA19

Industry – Kinematic 2A

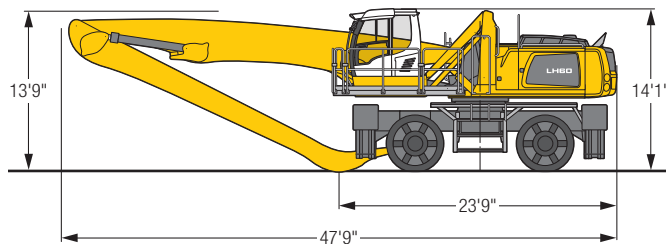


Operating Weight

The operating weight includes the basic machine with 4 point outriggers, hydr. cab elevation, 4 solid tires, straight boom 34'5", angled stick 28'10" and multi-tine grab GMM 80-5/ 1.4 yd³ semi-closed tines.

Weight 132,700 lb

Dimensions



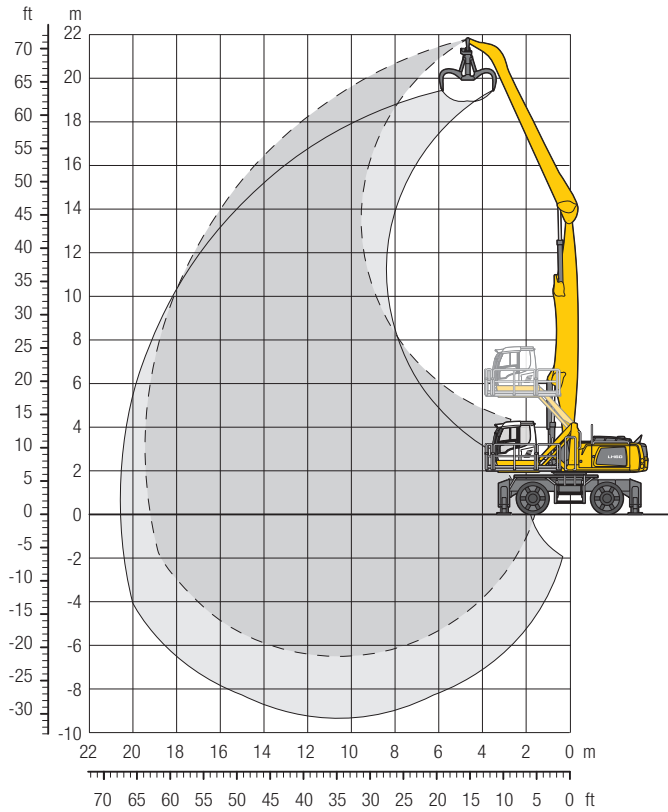
ft	Undercarriage	20 ft		25 ft		30 ft		35 ft		40 ft		45 ft		50 ft		55 ft		60 ft		65 ft		ft in		
		4 pt. outriggers down	4 pt. outriggers down	4 pt. outriggers down	4 pt. outriggers down	4 pt. outriggers down	4 pt. outriggers down	4 pt. outriggers down	4 pt. outriggers down	4 pt. outriggers down	4 pt. outriggers down	4 pt. outriggers down	4 pt. outriggers down	4 pt. outriggers down	4 pt. outriggers down	4 pt. outriggers down	4 pt. outriggers down	4 pt. outriggers down	4 pt. outriggers down	4 pt. outriggers down	4 pt. outriggers down	4 pt. outriggers down	4 pt. outriggers down	4 pt. outriggers down
65	4 pt. outriggers down			19,6*	19,6*																	17,8*	17,8*	26'11"
60	4 pt. outriggers down			22,4*	22,4*	19,7*	19,7*	15,5*	15,5*													14,9*	14,9*	35' 5"
55	4 pt. outriggers down					21,6*	21,6*	19,3*	19,3*	15,4*	15,4*											13,4*	13,4*	41' 8"
50	4 pt. outriggers down					22,4*	22,4*	20,1*	20,1*	18,4*	18,4*	14,5*	14,5*									12,5*	12,5*	46' 6"
45	4 pt. outriggers down					22,2*	22,2*	19,9*	19,9*	18,2*	18,2*	16,8*	16,8*	12,6*	12,6*							11,9*	11,9*	50' 5"
40	4 pt. outriggers down					22,3*	22,3*	20,0*	20,0*	18,1*	18,1*	16,7*	16,7*	15,4*	15,4*							11,5*	11,5*	53' 7"
35	4 pt. outriggers down					22,6*	22,6*	20,2*	20,2*	18,3*	18,3*	16,7*	16,7*	15,4*	15,4*	13,1*	13,1*					11,2*	11,2*	56' 1"
30	4 pt. outriggers down					23,1*	23,1*	20,5*	20,5*	18,5*	18,5*	16,9*	16,9*	15,5*	15,5*	14,2*	14,2*					11,1*	11,1*	58' 1"
25	4 pt. outriggers down			27,0*	27,0*	23,9*	23,9*	21,1*	21,1*	18,9*	18,9*	17,1*	17,1*	15,6*	15,6*	14,2*	14,2*					11,0*	11,0*	59' 7"
20	4 pt. outriggers down	28,5*	28,5*	29,2*	29,2*	24,9*	24,9*	21,7*	21,7*	19,3*	19,3*	17,3*	17,3*	15,7*	15,7*	14,2*	14,2*	12,3	12,5*			11,1*	11,1*	60' 7"
15	4 pt. outriggers down	38,3*	38,3*	30,9*	30,9*	25,9*	25,9*	22,4*	22,4*	19,7*	19,7*	17,6*	17,6*	15,8*	15,8*	14,2	14,2*	12,2	12,5*			11,3*	11,3*	61' 4"
10	4 pt. outriggers down	41,0*	41,0*	32,4*	32,4*	26,9*	26,9*	23,0*	23,0*	20,1*	20,1*	17,7*	17,7*	15,8*	15,8*	13,9	14,1*	12,0	12,2*			11,4*	11,4*	61' 6"
5	4 pt. outriggers down	42,6*	42,6*	33,5*	33,5*	27,6*	27,6*	23,4*	23,4*	20,3*	20,3*	17,8*	17,8*	15,7*	15,7*	13,6	13,8*	11,5*	11,5*			10,7*	10,7*	61' 4"
0	4 pt. outriggers down	25,9*	25,9*	33,8*	33,8*	27,7*	27,7*	23,4*	23,4*	20,2*	20,2*	17,6*	17,6*	15,3*	15,3*	13,2*	13,2*	10,5*	10,5*			9,9*	9,9*	60' 8"
-5	4 pt. outriggers down	22,6*	22,6*	32,9*	32,9*	27,2*	27,2*	23,0*	23,0*	19,7*	19,7*	17,0*	17,0*	14,6*	14,6*	12,1*	12,1*					9,1*	9,1*	59' 6"
-10	4 pt. outriggers down	22,8*	22,8*	30,6*	30,6*	25,6*	25,6*	21,7*	21,7*	18,5*	18,5*	15,8*	15,8*	13,2*	13,2*	10,3*	10,3*					9,8*	9,8*	55' 8"
-15	4 pt. outriggers down			26,8*	26,8*	22,9*	22,9*	19,5*	19,5*	16,5*	16,5*	13,8*	13,8*									11,3*	11,3*	49' 5"

Height **Can be slewed through 360°** **In longitudinal position of undercarriage** **Max. reach** * Limited by hydr. capacity

The lift capacities on the stick end without attachment are stated in lb x 1,000 and are valid on a firm, level supporting surface with blocked oscillating axle. These capacities can be slewed through 360° with the undercarriage in the transverse position. Capacities in the longitudinal position of the undercarriage (+/- 15°) are specified over the rigid axle with the stabilizers down. Indicated loads based on the ISO 10567 standard and do not exceed 75% of tipping or 87% of hydraulic capacity. The lift capacity values indicated are attained at the corresponding operating temperature. This operating temperature is ensured by continuous movement of the boom. Weights of fitted attachments (grabs, load hooks, etc.) and load accommodation attachment are to be deducted from the lift capacity values. The lift capacity of the unit is limited by its stability, the lifting capability of the hydraulic elements, or the maximum permissible lifting capacity of the load hook.

LH 60 M – Equipment GA20

Industry – Kinematic 2A

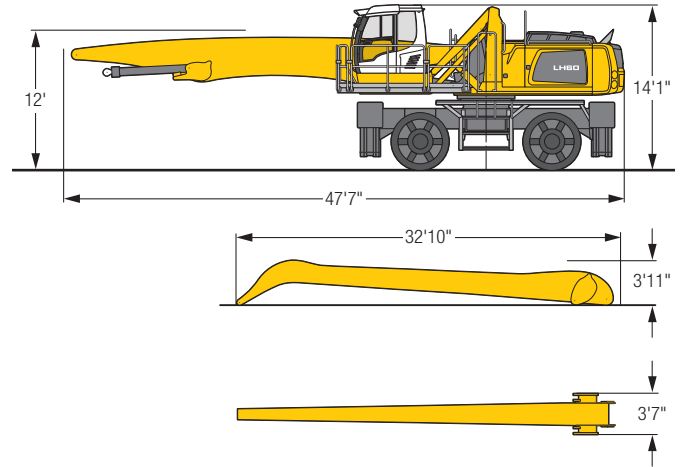


Operating Weight

The operating weight includes the basic machine with 4 point outriggers, hydr. cab elevation, 4 solid tires, straight boom 34'5", angled stick 31'2" and multi-tine grab GMM 80-5/ 1.4 yd³ semi-closed tines.

Weight 133,400 lb

Dimensions



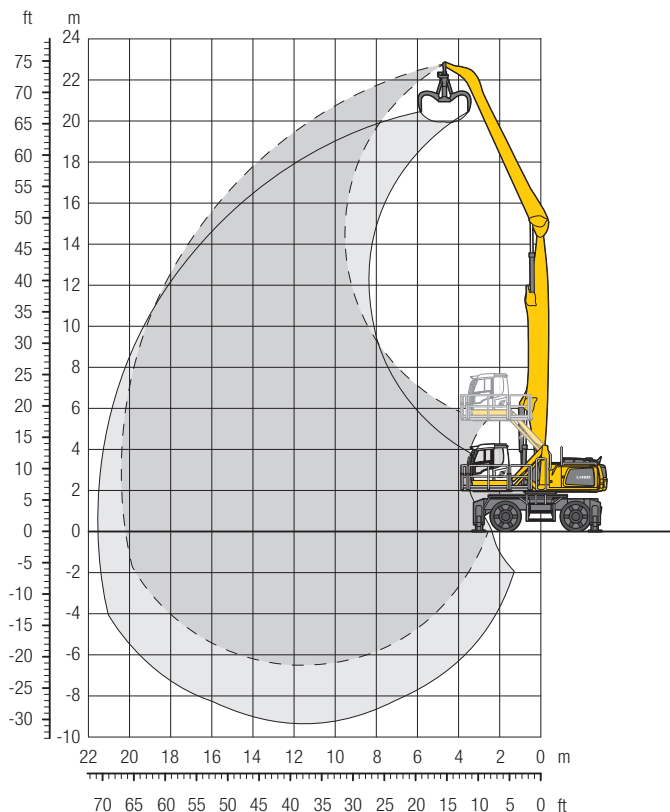
ft	Undercarriage	20 ft		25 ft		30 ft		35 ft		40 ft		45 ft		50 ft		55 ft		60 ft		65 ft		ft in		
		4 pt. outriggers down	4 pt. outriggers down	4 pt. outriggers down	4 pt. outriggers down	4 pt. outriggers down	4 pt. outriggers down	4 pt. outriggers down	4 pt. outriggers down	4 pt. outriggers down	4 pt. outriggers down	4 pt. outriggers down	4 pt. outriggers down	4 pt. outriggers down	4 pt. outriggers down	4 pt. outriggers down	4 pt. outriggers down	4 pt. outriggers down	4 pt. outriggers down	4 pt. outriggers down	4 pt. outriggers down	4 pt. outriggers down	4 pt. outriggers down	4 pt. outriggers down
70	4 pt. outriggers down	20,2*	20,2*																			19,7*	19,7*	20' 7"
65	4 pt. outriggers down			20,1*	20,1*	16,7*	16,7*															15,1*	15,1*	31' 8"
60	4 pt. outriggers down					19,5*	19,5*	16,8*	16,8*													13,0*	13,0*	39' 2"
55	4 pt. outriggers down					20,6*	20,6*	18,9*	18,9*	16,3*	16,3*											11,9*	11,9*	44' 11"
50	4 pt. outriggers down							19,3*	19,3*	17,6*	17,6*	15,5*	15,5*									11,1*	11,1*	49' 6"
45	4 pt. outriggers down							19,1*	19,1*	17,4*	17,4*	16,0*	16,0*	14,2*	14,2*							10,6*	10,6*	53' 2"
40	4 pt. outriggers down							19,2*	19,2*	17,4*	17,4*	16,0*	16,0*	14,8*	14,8*	11,9*	11,9*					10,2*	10,2*	56' 2"
35	4 pt. outriggers down					21,6*	21,6*	19,4*	19,4*	17,5*	17,5*	16,0*	16,0*	14,8*	14,8*	13,7*	13,7*					10,0*	10,0*	58' 7"
30	4 pt. outriggers down					22,2*	22,2*	19,7*	19,7*	17,8*	17,8*	16,2*	16,2*	14,9*	14,9*	13,7*	13,7*	10,7*	10,7*			9,9*	9,9*	60' 6"
25	4 pt. outriggers down			22,8*	22,8*	22,9*	22,9*	20,3*	20,3*	18,1*	18,1*	16,4*	16,4*	15,0*	15,0*	13,7*	13,7*	12,4	12,5*			9,9*	9,9*	61' 11"
20	4 pt. outriggers down	22,0*	22,0*	26,4*	26,4*	23,9*	23,9*	20,9*	20,9*	18,6*	18,6*	16,7*	16,7*	15,1*	15,1*	13,8*	13,8*	12,3	12,4*			9,9*	9,9*	63'
15	4 pt. outriggers down	32,1*	32,1*	29,6*	29,6*	24,9*	24,9*	21,6*	21,6*	19,0*	19,0*	17,0*	17,0*	15,3*	15,3*	13,8*	13,8*	12,1	12,3*			10,0*	10,0*	63' 7"
10	4 pt. outriggers down	39,3*	39,3*	31,2*	31,2*	26,0*	26,0*	22,2*	22,2*	19,4*	19,4*	17,2*	17,2*	15,4*	15,4*	13,8*	13,8*	11,9	12,1*			10,2*	10,2*	63' 10"
5	4 pt. outriggers down	41,3*	41,3*	32,5*	32,5*	26,8*	26,8*	22,7*	22,7*	19,7*	19,7*	17,3*	17,3*	15,3*	15,3*	13,5	13,6*	11,7	11,7*			9,9*	9,9*	63' 7"
0	4 pt. outriggers down	31,6*	31,6*	33,1*	33,1*	27,2*	27,2*	22,9*	22,9*	19,8*	19,8*	17,2*	17,2*	15,1*	15,1*	13,2*	13,2*	11,0*	11,0*			9,2*	9,2*	63'
-5	4 pt. outriggers down	24,3*	24,3*	32,7*	32,7*	26,9*	26,9*	22,7*	22,7*	19,5*	19,5*	16,8*	16,8*	14,6*	14,6*	12,4*	12,4*	9,8*	9,8*			8,3*	8,3*	62'
-10	4 pt. outriggers down	23,0*	23,0*	31,2*	31,2*	25,8*	25,8*	21,8*	21,8*	18,6*	18,6*	16,0*	16,0*	13,5*	13,5*	11,1*	11,1*					8,8*	8,8*	58' 10"
-15	4 pt. outriggers down	23,8*	23,8*	28,1*	28,1*	23,7*	23,7*	20,1*	20,1*	17,0*	17,0*	14,4*	14,4*	11,8*	11,8*							9,8*	9,8*	53' 6"
-20	4 pt. outriggers down			20,2*	20,2*	17,2*	17,2*	14,5*	14,5*													12,6*	12,6*	43' 7"

Height **Can be slewed through 360°** **In longitudinal position of undercarriage** **Max. reach** *** Limited by hydr. capacity**

The lift capacities on the stick end without attachment are stated in lb x 1,000 and are valid on a firm, level supporting surface with blocked oscillating axle. These capacities can be slewed through 360° with the undercarriage in the transverse position. Capacities in the longitudinal position of the undercarriage (+/- 15°) are specified over the rigid axle with the stabilizers down. Indicated loads based on the ISO 10567 standard and do not exceed 75% of tipping or 87% of hydraulic capacity. The lift capacity values indicated are attained at the corresponding operating temperature. This operating temperature is ensured by continuous movement of the boom. Weights of fitted attachments (grabs, load hooks, etc.) and load accommodation attachment are to be deducted from the lift capacity values. The lift capacity of the unit is limited by its stability, the lifting capability of the hydraulic elements, or the maximum permissible lifting capacity of the load hook.

LH 60 M – Equipment GA21

Industry – Kinematic 2A

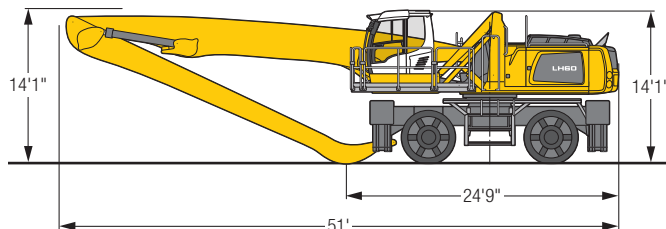


Operating Weight

The operating weight includes the basic machine with 4 point outriggers, hydr. cab elevation, 4 solid tires, straight boom 37'9", angled stick 31'2" and multi-tine grab GMM 80-5/ 1.18 yd³ semi-closed tines.

Weight 134,100 lb

Dimensions



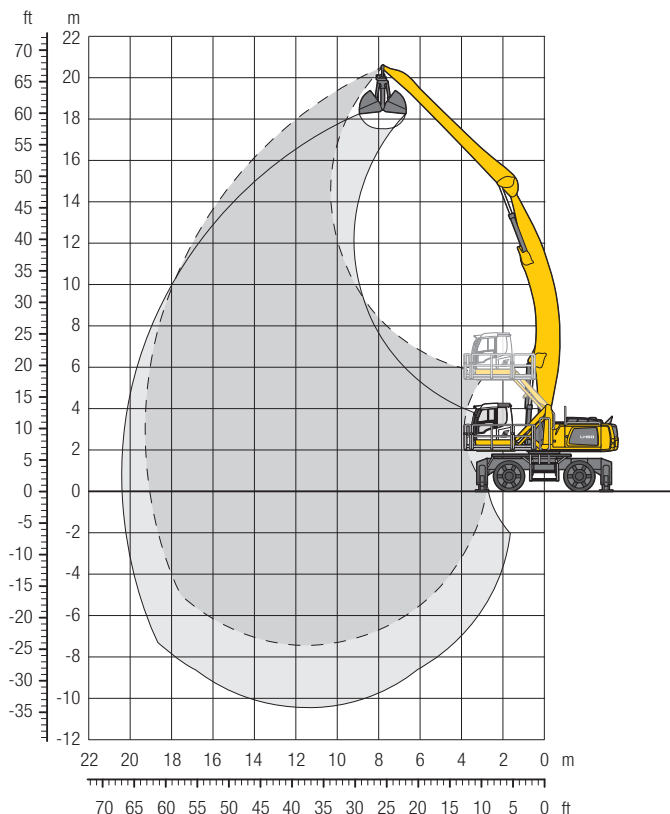
ft	Undercarriage	20 ft		25 ft		30 ft		35 ft		40 ft		45 ft		50 ft		55 ft		60 ft		65 ft		ft in		
		4 pt. outriggers down	4 pt. outriggers down	4 pt. outriggers down	4 pt. outriggers down	4 pt. outriggers down	4 pt. outriggers down	4 pt. outriggers down	4 pt. outriggers down	4 pt. outriggers down	4 pt. outriggers down	4 pt. outriggers down	4 pt. outriggers down	4 pt. outriggers down	4 pt. outriggers down	4 pt. outriggers down	4 pt. outriggers down	4 pt. outriggers down	4 pt. outriggers down	4 pt. outriggers down	4 pt. outriggers down	4 pt. outriggers down	4 pt. outriggers down	4 pt. outriggers down
70	4 pt. outriggers down			19,3*	19,3*																	16,2*	16,2*	29' 1"
65	4 pt. outriggers down					19,0*	19,0*	16,1*	16,1*													13,7*	13,7*	37' 10"
60	4 pt. outriggers down					20,3*	20,3*	18,5*	18,5*	15,9*	15,9*											12,3*	12,3*	44' 2"
55	4 pt. outriggers down							19,1*	19,1*	17,2*	17,2*	15,4*	15,4*									11,4*	11,4*	49' 5"
50	4 pt. outriggers down							18,9*	18,9*	17,0*	17,0*	15,4*	15,4*	14,2*	14,2*							10,8*	10,8*	53' 6"
45	4 pt. outriggers down							18,9*	18,9*	16,9*	16,9*	15,4*	15,4*	14,1*	14,1*	12,8*	12,8*					10,4*	10,4*	56' 11"
40	4 pt. outriggers down							19,0*	19,0*	17,0*	17,0*	15,4*	15,4*	14,0*	14,0*	12,9*	12,9*					10,1*	10,1*	59' 10"
35	4 pt. outriggers down					21,9*	21,9*	19,2*	19,2*	17,1*	17,1*	15,5*	15,5*	14,1*	14,1*	12,9*	12,9*	11,8*	11,8*			10,0*	10,0*	62'
30	4 pt. outriggers down					22,4*	22,4*	19,6*	19,6*	17,4*	17,4*	15,6*	15,6*	14,1*	14,1*	12,9*	12,9*	11,8*	11,8*			9,9*	9,9*	63' 10"
25	4 pt. outriggers down			24,6*	24,6*	23,0*	23,0*	20,0*	20,0*	17,7*	17,7*	15,8*	15,8*	14,3*	14,3*	12,9*	12,9*	11,7*	11,7*	10,2	10,3*	9,9*	9,9*	65' 2"
20	4 pt. outriggers down	26,5*	26,5*	28,3*	28,3*	23,8*	23,8*	20,5*	20,5*	18,0*	18,0*	16,0*	16,0*	14,4*	14,4*	13,0*	13,0*	11,7*	11,7*	10,1	10,4*	9,8	9,9*	66' 2"
15	4 pt. outriggers down	37,1*	37,1*	29,6*	29,6*	24,5*	24,5*	21,0*	21,0*	18,3*	18,3*	16,2*	16,2*	14,5*	14,5*	13,0*	13,0*	11,6	11,6*	10,0	10,2*	9,5	9,5*	66' 10"
10	4 pt. outriggers down	38,9*	38,9*	30,6*	30,6*	25,2*	25,2*	21,4*	21,4*	18,5*	18,5*	16,3*	16,3*	14,5*	14,5*	12,9*	12,9*	11,4	11,5*	9,8	9,9*	9,0*	9,0*	67'
5	4 pt. outriggers down	24,9*	24,9*	31,3*	31,3*	25,6*	25,6*	21,6*	21,6*	18,7*	18,7*	16,3*	16,3*	14,4*	14,4*	12,7*	12,7*	11,1	11,2*	9,4*	9,4*	8,5*	8,5*	66' 10"
0	4 pt. outriggers down	17,0*	17,0*	31,2*	31,2*	25,6*	25,6*	21,6*	21,6*	18,5*	18,5*	16,1*	16,1*	14,1*	14,1*	12,4*	12,4*	10,6*	10,6*	8,5*	8,5*	7,8*	7,8*	66' 2"
-5	4 pt. outriggers down	15,8*	15,8*	30,2*	30,2*	25,0*	25,0*	21,1*	21,1*	18,1*	18,1*	15,7*	15,7*	13,6*	13,6*	11,7*	11,7*	9,8*	9,8*	7,2*	7,2*	6,9*	6,9*	65' 4"
-10	4 pt. outriggers down	16,5*	16,5*	28,0*	28,0*	23,5*	23,5*	20,0*	20,0*	17,2*	17,2*	14,8*	14,8*	12,7*	12,7*	10,7*	10,7*	8,4*	8,4*			7,3*	7,3*	62'
-15	4 pt. outriggers down	18,1*	18,1*	24,6*	24,6*	21,2*	21,2*	18,2*	18,2*	15,6*	15,6*	13,3*	13,3*	11,2*	11,2*	9,0*	9,0*					8,2*	8,2*	56' 10"
-20	4 pt. outriggers down					17,7*	17,7*	15,4*	15,4*	13,2*	13,2*	11,1*	11,1*									10,3*	10,3*	46' 11"

Height **Can be slewed through 360°** **In longitudinal position of undercarriage** **Max. reach** * Limited by hydr. capacity

The lift capacities on the stick end without attachment are stated in lb x 1,000 and are valid on a firm, level supporting surface with blocked oscillating axle. These capacities can be slewed through 360° with the undercarriage in the transverse position. Capacities in the longitudinal position of the undercarriage (+/- 15°) are specified over the rigid axle with the stabilizers down. Indicated loads based on the ISO 10567 standard and do not exceed 75% of tipping or 87% of hydraulic capacity. The lift capacity values indicated are attained at the corresponding operating temperature. This operating temperature is ensured by continuous movement of the boom. Weights of fitted attachments (grabs, load hooks, etc.) and load accommodation attachment are to be deducted from the lift capacity values. The lift capacity of the unit is limited by its stability, the lifting capability of the hydraulic elements, or the maximum permissible lifting capacity of the load hook.

LH 60 M – Equipment AG19

Industry – Kinematic 2D

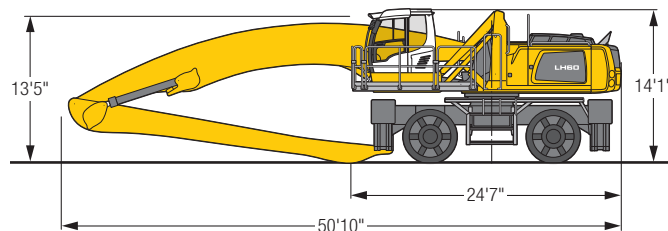


Operating Weight

The operating weight includes the basic machine with 4 point outriggers, hydr. cab elevation, 4 solid tires, angled boom 37'9", straight stick 28'10" and grab for loose material GM 20C/ 2.62 yd³.

Weight 134,000 lb

Dimensions



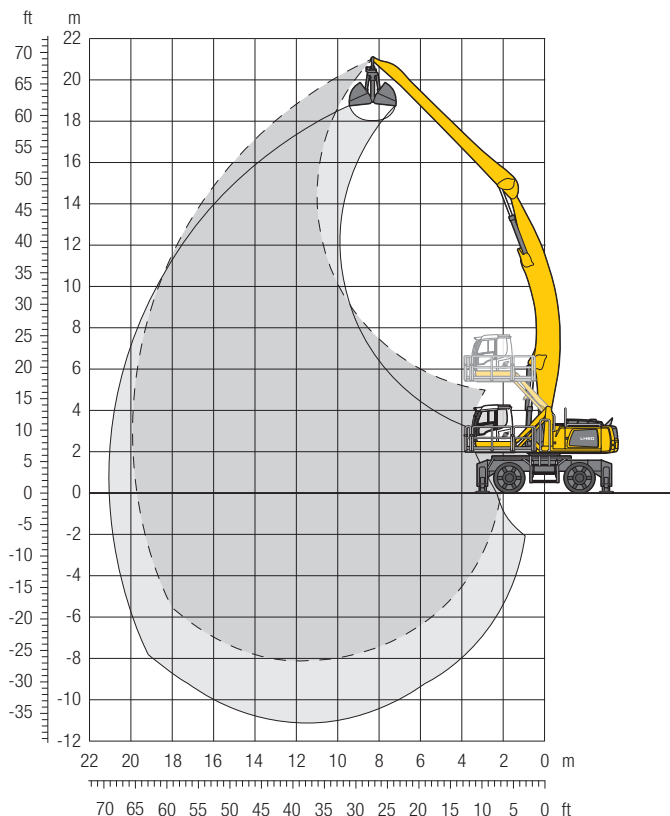
ft	Undercarriage	20 ft		25 ft		30 ft		35 ft		40 ft		45 ft		50 ft		55 ft		60 ft		65 ft		ft in			
		4 pt. outriggers down	4 pt. outriggers down	4 pt. outriggers down	4 pt. outriggers down	4 pt. outriggers down	4 pt. outriggers down	4 pt. outriggers down	4 pt. outriggers down	4 pt. outriggers down	4 pt. outriggers down	4 pt. outriggers down	4 pt. outriggers down	4 pt. outriggers down	4 pt. outriggers down	4 pt. outriggers down	4 pt. outriggers down	4 pt. outriggers down	4 pt. outriggers down	4 pt. outriggers down	4 pt. outriggers down	4 pt. outriggers down	4 pt. outriggers down	4 pt. outriggers down	
65	4 pt. outriggers down					15,6"	15,6"															15,0"	15,0"	30' 8"	
60	4 pt. outriggers down							16,1"	16,1"														13,3"	13,3"	38' 5"
55	4 pt. outriggers down							17,1"	17,1"	15,5"	15,5"												12,4"	12,4"	44' 2"
50	4 pt. outriggers down							16,9"	16,9"	15,3"	15,3"	14,1"	14,1"										11,8"	11,8"	48' 10"
45	4 pt. outriggers down							16,8"	16,8"	15,3"	15,3"	14,0"	14,0"	13,0"	13,0"								11,4"	11,4"	52' 7"
40	4 pt. outriggers down							17,0"	17,0"	15,3"	15,3"	14,0"	14,0"	13,0"	13,0"	12,0"	12,0"						11,2"	11,2"	55' 7"
35	4 pt. outriggers down							17,2"	17,2"	15,5"	15,5"	14,1"	14,1"	13,0"	13,0"	12,1"	12,1"						11,1"	11,1"	58"
30	4 pt. outriggers down					20,0"	20,0"	17,7"	17,7"	15,8"	15,8"	14,3"	14,3"	13,2"	13,2"	12,2"	12,2"						11,1"	11,1"	60"
25	4 pt. outriggers down			24,4"	24,4"	20,8"	20,8"	18,2"	18,2"	16,2"	16,2"	14,6"	14,6"	13,3"	13,3"	12,3"	12,3"	11,4"	11,4"				11,1"	11,1"	61' 5"
20	4 pt. outriggers down	31,8"	31,8"	25,8"	25,8"	21,7"	21,7"	18,8"	18,8"	16,6"	16,6"	14,9"	14,9"	13,5"	13,5"	12,4"	12,4"	11,4"	11,4"				10,9"	10,9"	62' 6"
15	4 pt. outriggers down	34,4"	34,4"	27,3"	27,3"	22,7"	22,7"	19,5"	19,5"	17,1"	17,1"	15,2"	15,2"	13,8"	13,8"	12,5"	12,5"	11,4"	11,4"				10,8"	10,8"	63' 1"
10	4 pt. outriggers down	36,6"	36,6"	28,7"	28,7"	23,6"	23,6"	20,1"	20,1"	17,5"	17,5"	15,5"	15,5"	13,9"	13,9"	12,6"	12,6"	11,4"	11,4"				10,5"	10,6"	63' 4"
5	4 pt. outriggers down	24,0"	24,0"	29,8"	29,8"	24,4"	24,4"	20,6"	20,6"	17,9"	17,9"	15,8"	15,8"	14,1"	14,1"	12,7"	12,7"	11,3"	11,4"				10,4"	10,5"	63' 1"
0	4 pt. outriggers down	18,8"	18,8"	30,4"	30,4"	24,9"	24,9"	21,0"	21,0"	18,1"	18,1"	15,9"	15,9"	14,1"	14,1"	12,6"	12,6"	11,1"	11,1"				10,3"	10,3"	62' 6"
-5	4 pt. outriggers down	18,1"	18,1"	30,2"	30,2"	24,9"	24,9"	21,0"	21,0"	18,1"	18,1"	15,8"	15,8"	14,0"	14,0"	12,3"	12,3"	10,6"	10,6"				10,1"	10,1"	61' 6"
-10	4 pt. outriggers down	18,8"	18,8"	29,2"	29,2"	24,3"	24,3"	20,7"	20,7"	17,8"	17,8"	15,5"	15,5"	13,5"	13,5"	11,7"	11,7"	9,7"	9,7"				9,7"	9,7"	60' 1"
-15	4 pt. outriggers down	20,2"	20,2"	27,3"	27,3"	23,1"	23,1"	19,7"	19,7"	17,0"	17,0"	14,7"	14,7"	12,7"	12,7"	10,7"	10,7"						9,2"	9,2"	58' 1"
-20	4 pt. outriggers down			24,4"	24,4"	21,0"	21,0"	18,1"	18,1"	15,6"	15,6"	13,4"	13,4"	11,3"	11,3"								10,0"	10,0"	52' 10"
-25	4 pt. outriggers down																								

Height **Can be slewed through 360°** **In longitudinal position of undercarriage** **Max. reach** * Limited by hydr. capacity

The lift capacities on the stick end without attachment are stated in lb x 1,000 and are valid on a firm, level supporting surface with blocked oscillating axle. These capacities can be slewed through 360° with the undercarriage in the transverse position. Capacities in the longitudinal position of the undercarriage (+/- 15°) are specified over the rigid axle with the stabilizers down. Indicated loads based on the ISO 10567 standard and do not exceed 75% of tipping or 87% of hydraulic capacity. The lift capacity values indicated are attained at the corresponding operating temperature. This operating temperature is ensured by continuous movement of the boom. Weights of fitted attachments (grabs, load hooks, etc.) and load accommodation attachment are to be deducted from the lift capacity values. The lift capacity of the unit is limited by its stability, the lifting capability of the hydraulic elements, or the maximum permissible lifting capacity of the load hook.

LH 60 M – Equipment AG20

Industry – Kinematic 2D

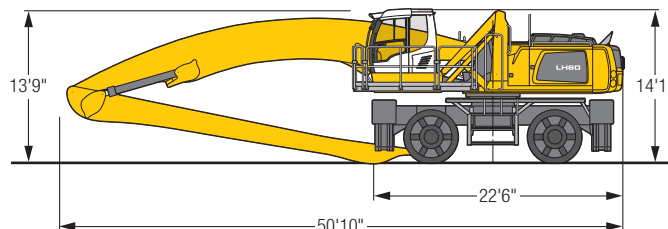


Operating Weight

The operating weight includes the basic machine with 4 point outriggers, hydr. cab elevation, 4 solid tires, angled boom 37'9", straight stick 31'2" and grab for loose material GM 20C/ 2.62 yd³.

Weight 134,700 lb

Dimensions



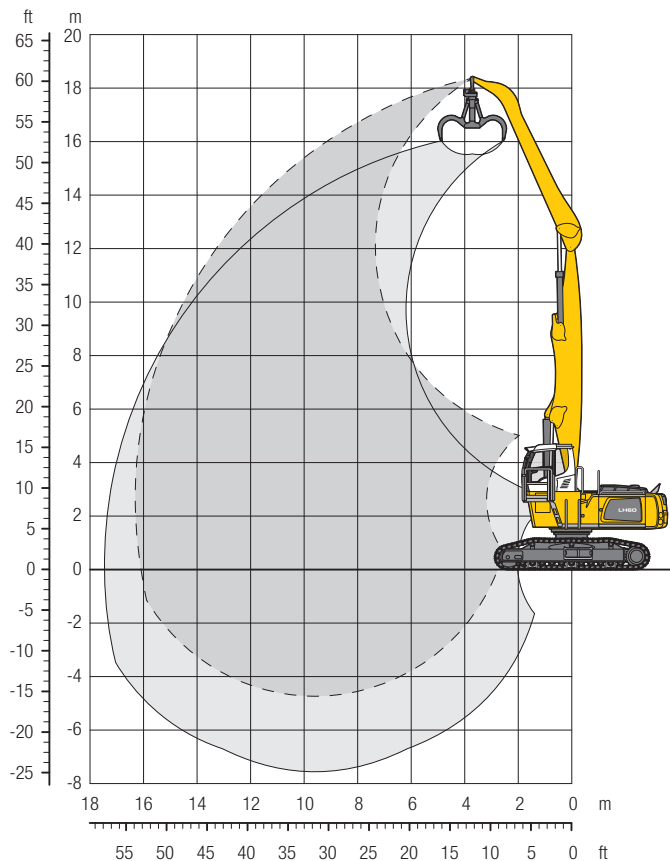
ft	Undercarriage	20 ft		25 ft		30 ft		35 ft		40 ft		45 ft		50 ft		55 ft		60 ft		65 ft		ft in			
		4 pt. outriggers down	4 pt. outriggers down	4 pt. outriggers down	4 pt. outriggers down	4 pt. outriggers down	4 pt. outriggers down	4 pt. outriggers down	4 pt. outriggers down	4 pt. outriggers down	4 pt. outriggers down	4 pt. outriggers down	4 pt. outriggers down	4 pt. outriggers down	4 pt. outriggers down	4 pt. outriggers down	4 pt. outriggers down	4 pt. outriggers down	4 pt. outriggers down	4 pt. outriggers down	4 pt. outriggers down	4 pt. outriggers down	4 pt. outriggers down	4 pt. outriggers down	
65	4 pt. outriggers down																						13,0"	13,0"	34' 11"
60	4 pt. outriggers down								16,3*	16,3*	13,3*	13,3*											11,8"	11,8"	41' 10"
55	4 pt. outriggers down										14,8*	14,8*	13,0*	13,0*									11,0"	11,0"	47' 2"
50	4 pt. outriggers down										14,6*	14,6*	13,4*	13,4*	12,1*	12,1*							10,5"	10,5"	51' 7"
45	4 pt. outriggers down										14,6*	14,6*	13,4*	13,4*	12,4*	12,4*	10,3*	10,3*					10,2"	10,2"	55' 1"
40	4 pt. outriggers down										14,7*	14,7*	13,4*	13,4*	12,4*	12,4*	11,5*	11,5*					10,0"	10,0"	58"
35	4 pt. outriggers down								16,5*	16,5*	14,9*	14,9*	13,5*	13,5*	12,4*	12,4*	11,5*	11,5*	10,4*	10,4*			9,9"	9,9"	60' 5"
30	4 pt. outriggers down								16,9*	16,9*	15,1*	15,1*	13,7*	13,7*	12,6*	12,6*	11,6*	11,6*	10,8*	10,8*			9,9"	9,9"	62' 2"
25	4 pt. outriggers down					19,9*	19,9*		17,4*	17,4*	15,5*	15,5*	14,0*	14,0*	12,7*	12,7*	11,7*	11,7*	10,8*	10,8*			10,0"	10,0"	63' 7"
20	4 pt. outriggers down	30,2*	30,2*	24,6*	24,6*	20,8*	20,8*	18,0*	18,0*	15,9*	15,9*	14,3*	14,3*	12,9*	12,9*	11,8*	11,8*	10,9*	10,9*			10,1"	10,1"	64' 7"	
15	4 pt. outriggers down	32,7*	32,7*	26,1*	26,1*	21,8*	21,8*	18,7*	18,7*	16,4*	16,4*	14,6*	14,6*	13,2*	13,2*	12,0*	12,0*	11,0*	11,0*	10,0*	10,0*	9,9"	9,9"	65' 2"	
10	4 pt. outriggers down	35,0*	35,0*	27,5*	27,5*	22,7*	22,7*	19,3*	19,3*	16,8*	16,8*	14,9*	14,9*	13,4*	13,4*	12,1*	12,1*	11,0*	11,0*	9,9	9,9*	9,7	9,8*	65' 5"	
5	4 pt. outriggers down	32,4*	32,4*	28,7*	28,7*	23,5*	23,5*	19,9*	19,9*	17,2*	17,2*	15,2*	15,2*	13,5*	13,5*	12,2*	12,2*	11,0*	11,0*	9,7	9,8*	9,6	9,7*	65' 2"	
0	4 pt. outriggers down	21,4*	21,4*	29,4*	29,4*	24,1*	24,1*	20,3*	20,3*	17,5*	17,5*	15,4*	15,4*	13,6*	13,6*	12,2*	12,2*	10,9*	10,9*			9,5"	9,5"	64' 7"	
-5	4 pt. outriggers down	19,0*	19,0*	29,6*	29,6*	24,3*	24,3*	20,4*	20,4*	17,6*	17,6*	15,4*	15,4*	13,6*	13,6*	12,0*	12,0*	10,5*	10,5*			9,3"	9,3"	63' 8"	
-10	4 pt. outriggers down	18,9*	18,9*	29,0*	29,0*	24,0*	24,0*	20,3*	20,3*	17,4*	17,4*	15,2*	15,2*	13,3*	13,3*	11,6*	11,6*	9,9*	9,9*			9,0"	9,0"	62' 4"	
-15	4 pt. outriggers down	19,8*	19,8*	27,6*	27,6*	23,1*	23,1*	19,6*	19,6*	16,9*	16,9*	14,6*	14,6*	12,7*	12,7*	10,9*	10,9*	8,8*	8,8*			8,6"	8,6"	60' 6"	
-20	4 pt. outriggers down	21,1*	21,1*	25,2*	25,2*	21,4*	21,4*	18,3*	18,3*	15,8*	15,8*	13,6*	13,6*	11,6*	11,6*	9,5*	9,5*					8,7"	8,7"	56' 10"	
-25	4 pt. outriggers down					18,8*	18,8*	16,2*	16,2*	13,9*	13,9*	11,8*	11,8*									10,8"	10,8"	47' 5"	

Height Can be slewed through 360° In longitudinal position of undercarriage Max. reach * Limited by hydr. capacity

The lift capacities on the stick end without attachment are stated in lb x 1,000 and are valid on a firm, level supporting surface with blocked oscillating axle. These capacities can be slewed through 360° with the undercarriage in the transverse position. Capacities in the longitudinal position of the undercarriage (+/- 15°) are specified over the rigid axle with the stabilizers down. Indicated loads based on the ISO 10567 standard and do not exceed 75% of tipping or 87% of hydraulic capacity. The lift capacity values indicated are attained at the corresponding operating temperature. This operating temperature is ensured by continuous movement of the boom. Weights of fitted attachments (grabs, load hooks, etc.) and load accommodation attachment are to be deducted from the lift capacity values. The lift capacity of the unit is limited by its stability, the lifting capability of the hydraulic elements, or the maximum permissible lifting capacity of the load hook.

LH 60 C EW – Equipment GA16

Industry – Kinematic 2A

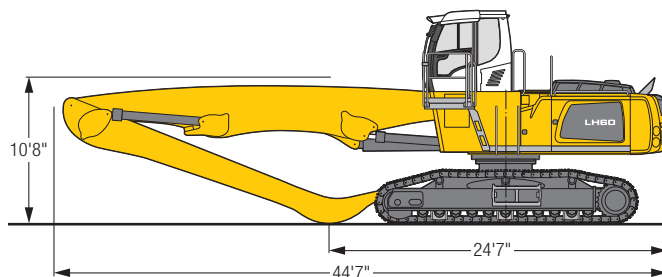


Operating Weight and Ground Pressure

The operating weight includes the basic machine with rigid cab elevation, straight boom 31'2", angled stick 23'11" and multi-tine grab GMM 80-5/1.18 yd³ semi-closed tines.

Weight	120,900 lb
Pad width	24"
Ground pressure	on request

Dimensions



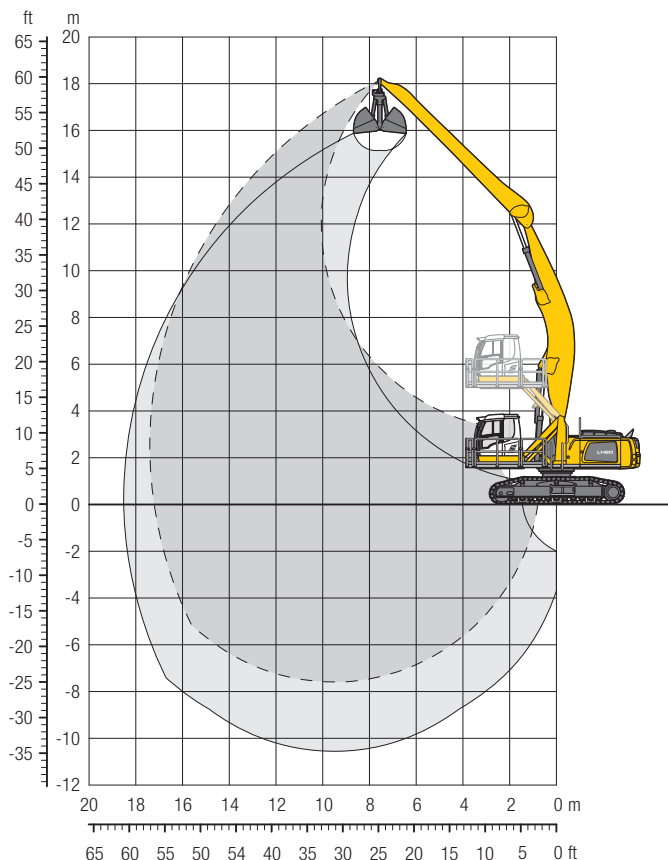
ft	Undercarriage	20 ft		25 ft		30 ft		35 ft		40 ft		45 ft		50 ft		55 ft		60 ft		65 ft		ft in			
60	EW																						28,9"	28,9"	13' 4"
55	EW																						20,3"	20,3"	26'
50	EW																						17,4"	17,4"	33' 6"
45	EW																						15,9"	15,9"	38' 11"
40	EW																						15,0"	15,0"	43' 1"
35	EW																						14,4"	14,4"	46' 5"
30	EW																						13,3"	14,1"	48' 11"
25	EW																						12,3"	14,0"	50' 11"
20	EW																						11,6"	13,8"	52' 4"
15	EW																						11,2"	13,3"	53' 1"
10	EW																						10,9"	12,9"	53' 6"
5	EW																						10,8"	12,1"	53' 5"
0	EW																						10,9"	11,2"	52' 11"
-5	EW																						10,5"	10,5"	51' 4"
-10	EW																						11,7"	11,7"	46' 10"
-15	EW																						15,5"	15,5"	36' 7"

Height Can be slewed through 360° In longitudinal position of undercarriage Max. reach * Limited by hydr. capacity

The lift capacities on the stick end without attachment are stated in lb x 1,000 and can be slewed through 360° on a firm, level supporting surface. Capacities are valid for 24" wide triple grouser pads (resp. flat pads). Indicated loads based on the ISO 10567 standard and do not exceed 75% of tipping or 87% of hydraulic capacity. The lift capacity values indicated are attained at the corresponding operating temperature. This operating temperature is ensured by continuous movement of the boom. Weights of fitted attachments (grabs, load hooks, etc.) and load accommodation attachment are to be deducted from the lift capacity values. The lift capacity of the unit is limited by its stability, the lifting capability of the hydraulic elements, or the maximum permissible lifting capacity of the load hook.

LH 60 C EW – Equipment AG17

Industry – Kinematic 2D

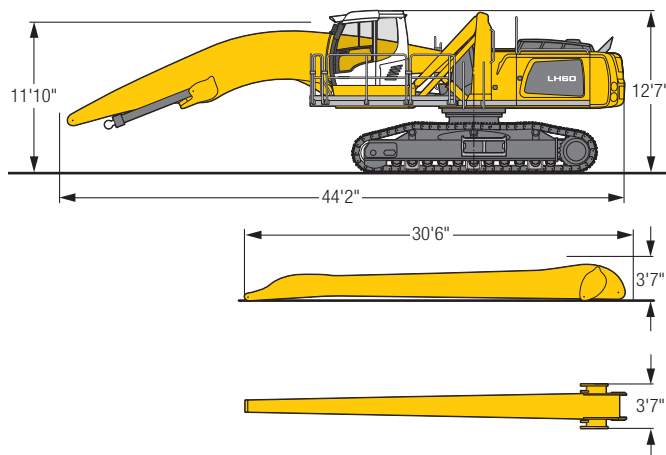


Operating Weight and Ground Pressure

The operating weight includes the basic machine with hydr. cab elevation, angled boom 31°2', straight stick 28°10" and grab for loose material GM 20C/1.96 yd³.

Weight	124,100 lb
Pad width	24"
Ground pressure	on request

Dimensions



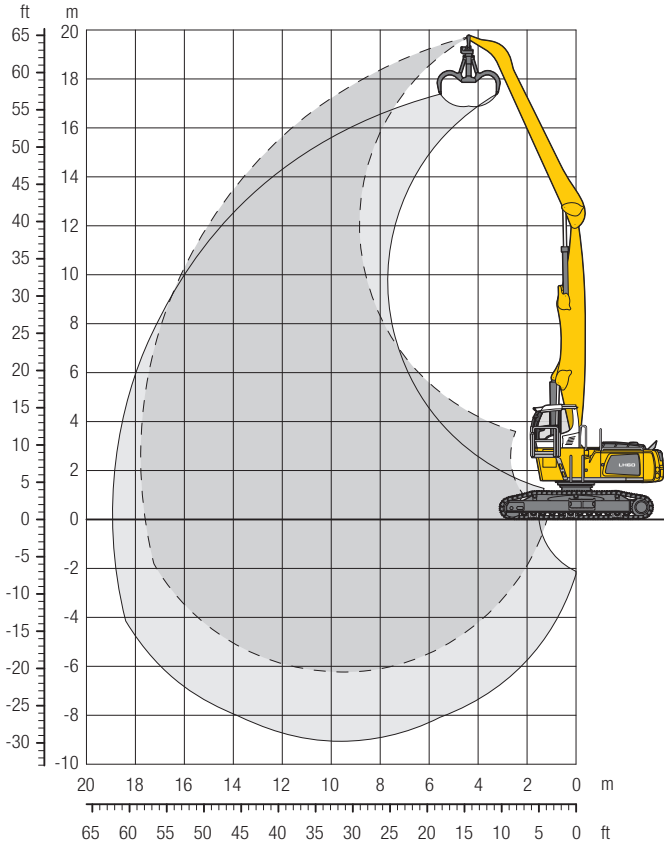
ft	Undercarriage	20 ft		25 ft		30 ft		35 ft		40 ft		45 ft		50 ft		55 ft		60 ft		65 ft		ft in		
		Height	Can be slewed through 360°	Height	Can be slewed through 360°	Height	Can be slewed through 360°	Height	Can be slewed through 360°	Height	Can be slewed through 360°	Height	Can be slewed through 360°	Height	Can be slewed through 360°	Height	Can be slewed through 360°	Height	Can be slewed through 360°	Height	Can be slewed through 360°	Height	Can be slewed through 360°	
55	EW					16,6*	16,6*															14,1*	14,1*	32' 7"
50	EW							16,0*	16,0*													12,8*	12,8*	38' 10"
45	EW							15,5*	15,5*	14,5*	14,5*											12,0*	12,0*	43' 7"
40	EW							15,3*	15,3*	14,3*	14,3*	13,5*	13,5*									11,5*	11,5*	47' 5"
35	EW							15,4*	15,4*	14,3*	14,3*	13,4*	13,4*	11,8*	11,8*							11,2*	11,2*	50' 5"
30	EW							15,6*	15,6*	14,4*	14,4*	13,5*	13,5*	12,7*	12,7*							11,1*	11,1*	52' 8"
25	EW					17,8*	17,8*	16,1*	16,1*	14,7*	14,7*	13,7*	13,7*	12,8*	12,8*							11,1*	11,1*	54' 6"
20	EW					18,7*	18,7*	16,7*	16,7*	15,2*	15,2*	14,0*	14,0*	13,0*	13,0*	10,9	12,1*					10,6	11,2*	55' 10"
15	EW	27,5*	27,5*	23,0*	23,0*	19,8*	19,8*	17,5*	17,5*	15,7*	15,7*	14,3*	14,3*	12,9	13,2*	10,7	12,2*					10,1	11,4*	56' 7"
10	EW	30,6*	30,6*	24,8*	24,8*	21,0*	21,0*	18,3*	18,3*	16,3*	16,3*	14,7*	14,7*	12,5	13,4*	10,5	12,3*					9,8	11,8*	57'
5	EW	33,7*	33,7*	26,7*	26,7*	22,3*	22,3*	19,2*	19,2*	16,9*	16,9*	14,4	15,1*	12,1	13,7*	10,3	12,3					9,6	11,6	56' 11"
0	EW	36,1*	36,1*	28,3*	28,3*	23,3*	23,3*	19,9*	19,9*	16,6	17,4*	13,9	15,4*	11,7	13,8*	10,0	12,1					9,6	11,6	56' 5"
-5	EW	37,5*	37,5*	29,4*	29,4*	24,1*	24,1*	19,4	20,4*	16,0	17,7*	13,4	15,5*	11,4	13,7*	9,9	11,8*					9,8	11,6*	55' 5"
-10	EW	36,4*	36,4*	29,6*	29,6*	23,1	24,3*	18,6	20,5*	15,4	17,6*	13,1	15,3*	11,2	13,2*							10,1	11,3*	54'
-15	EW	34,6*	34,6*	28,9*	28,9*	22,5	23,8*	18,2	20,1*	15,1	17,1*	12,8	14,6*	11,1	12,1*							10,6	10,9*	52'
-20	EW	33,0*	33,0*	26,9*	26,9*	22,2	22,3*	17,9	18,8*	15,0	15,8*	12,8	13,0*									11,7*	11,7*	47' 2"

Height **Can be slewed through 360°** **In longitudinal position of undercarriage** **Max. reach** * **Limited by hydr. capacity**

The lift capacities on the stick end without attachment are stated in lb x 1,000 and can be slewed through 360° on a firm, level supporting surface. Capacities are valid for 24" wide triple grouser pads (resp. flat pads). Indicated loads based on the ISO 10567 standard and do not exceed 75% of tipping or 87% of hydraulic capacity. The lift capacity values indicated are attained at the corresponding operating temperature. This operating temperature is ensured by continuous movement of the boom. Weights of fitted attachments (grabs, load hooks, etc.) and load accommodation attachment are to be deducted from the lift capacity values. The lift capacity of the unit is limited by its stability, the lifting capability of the hydraulic elements, or the maximum permissible lifting capacity of the load hook.

LH 60 C SW – Equipment GA18

Industry – Kinematic 2A

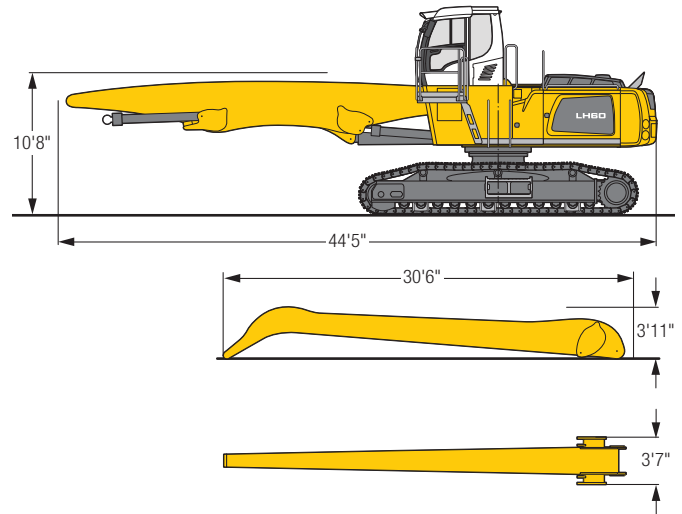


Operating Weight and Ground Pressure

The operating weight includes the basic machine with rigid cab elevation, straight boom 31'2", angled stick 28'10" and multi-tine grab GMM 80-5/1.18 yd³ semi-closed tines.

Weight	125,500 lb
Pad width	24"
Ground pressure	on request

Dimensions



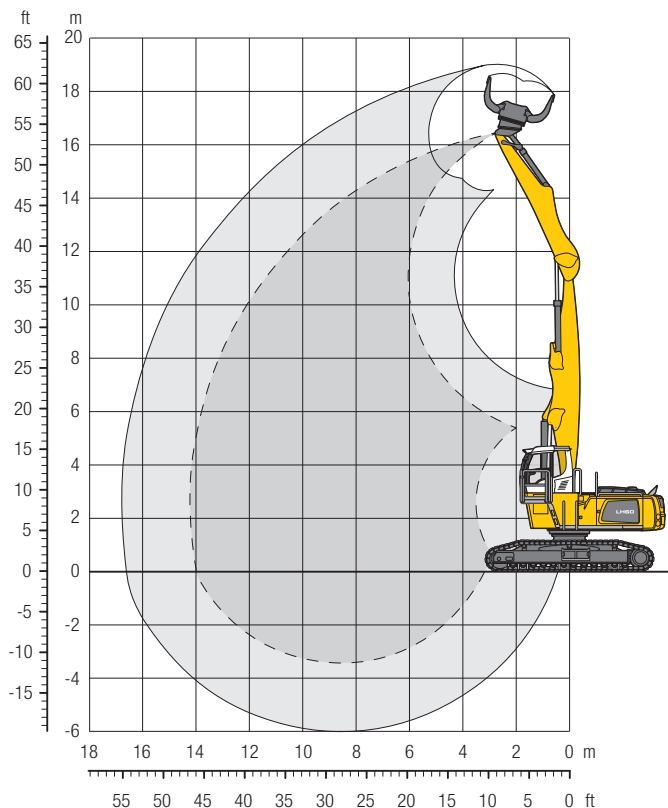
ft	Undercarriage	20 ft		25 ft		30 ft		35 ft		40 ft		45 ft		50 ft		55 ft		60 ft		65 ft		ft in		
		SW	SW	SW	SW	SW	SW	SW	SW	SW	SW	SW	SW	SW	SW	SW	SW	SW	SW	SW	SW	SW	SW	
60	SW			19,5*	19,5*																	17,5*	17,5*	26'10"
55	SW			22,5*	22,5*																	14,7*	14,7*	34'11"
50	SW					19,5*	19,5*															13,3*	13,3*	40'10"
45	SW					22,5*	22,5*	20,6*	20,6*	18,1*	18,1*	12,9*	12,9*									12,3*	12,3*	45' 4"
40	SW					22,3*	22,3*	20,3*	20,3*	18,8*	18,8*	16,8*	16,8*									11,8*	11,8*	49'
35	SW					22,4*	22,4*	20,4*	20,4*	18,8*	18,8*	17,4*	17,4*	14,3*	14,3*							11,4*	11,4*	51'11"
30	SW					22,8*	22,8*	20,7*	20,7*	18,9*	18,9*	17,5*	17,5*	14,6	16,3*							11,1*	11,1*	54' 2"
25	SW					23,5*	23,5*	21,2*	21,2*	19,2*	19,2*	17,5	17,7*	14,5	16,3*	12,0	12,8*					11,0*	11,0*	55'11"
20	SW			27,4*	27,4*	24,5*	24,5*	21,8*	21,8*	19,7*	19,7*	17,2	17,9*	14,3	16,4*	11,9	14,9*					11,1*	11,1*	57' 2"
15	SW	29,5*	29,5*	30,0*	30,0*	25,8*	25,8*	22,6*	22,6*	20,2*	20,2*	16,7	18,2*	13,9	16,5*	11,8	14,9*					10,7	11,2*	58'
10	SW	39,6*	39,6*	32,1*	32,1*	27,0*	27,0*	23,4*	23,4*	19,5	20,7*	16,2	18,5*	13,6	16,6*	11,6	14,7					10,5	11,4*	58' 4"
5	SW	42,7*	42,7*	33,9*	33,9*	28,2*	28,2*	23,0	24,1*	18,8	21,1*	15,7	18,6*	13,3	16,5*	11,4	14,4*					10,4	11,7*	58' 2"
0	SW	44,6*	44,6*	35,1*	35,1*	27,6	28,9*	22,0	24,5*	18,1	21,2*	15,2	18,6*	13,0	16,2*	11,2	13,7*					10,4	11,7*	57' 8"
- 5	SW	39,3*	39,3*	34,3	35,2*	26,4	29,0*	21,2	24,4*	17,6	21,0*	14,8	18,1*	12,7	15,4*	11,1	12,3*					10,6	10,7*	56'10"
-10	SW	33,4*	33,4*	33,2	34,0*	25,6	28,1*	20,6	23,6*	17,1	20,1*	14,5	17,0*	12,6	14,0*							11,1*	11,1*	53' 8"
-15	SW	32,9*	32,9*	31,1*	31,1*	25,1	25,9*	20,3	21,7*	16,9	18,2*	14,4	14,9*									12,6*	12,6*	48' 5"
-20	SW					22,0*	22,0*	18,4*	18,4*													17,3*	17,3*	36' 7"

Height Can be slewed through 360° In longitudinal position of undercarriage Max. reach * Limited by hydr. capacity

The lift capacities on the stick end without attachment are stated in lb x 1,000 and can be slewed through 360° on a firm, level supporting surface. Capacities are valid for 24" wide triple grouser pads (resp. flat pads). Indicated loads based on the ISO 10567 standard and do not exceed 75% of tipping or 87% of hydraulic capacity. The lift capacity values indicated are attained at the corresponding operating temperature. This operating temperature is ensured by continuous movement of the boom. Weights of fitted attachments (grabs, load hooks, etc.) and load accommodation attachment are to be deducted from the lift capacity values. The lift capacity of the unit is limited by its stability, the lifting capability of the hydraulic elements, or the maximum permissible lifting capacity of the load hook.

LH 60 C SW – Equipment GK14

Industry – Kinematic 2A

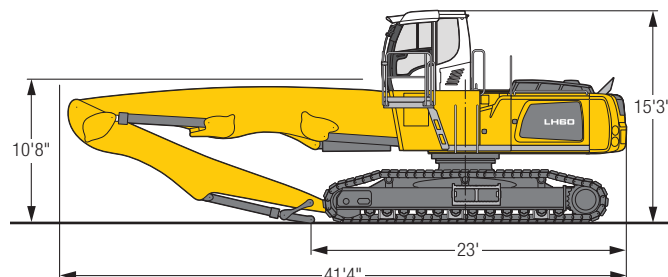


Operating Weight and Ground Pressure

The operating weight includes the basic machine with rigid cab elevation, straight boom 27'11", stick with tipping kinematics 19'8" and sorting grab SG 40/2.09 yd³ perforated shells.

Weight	126,500 lb
Pad width	24"
Ground pressure	on request

Dimensions



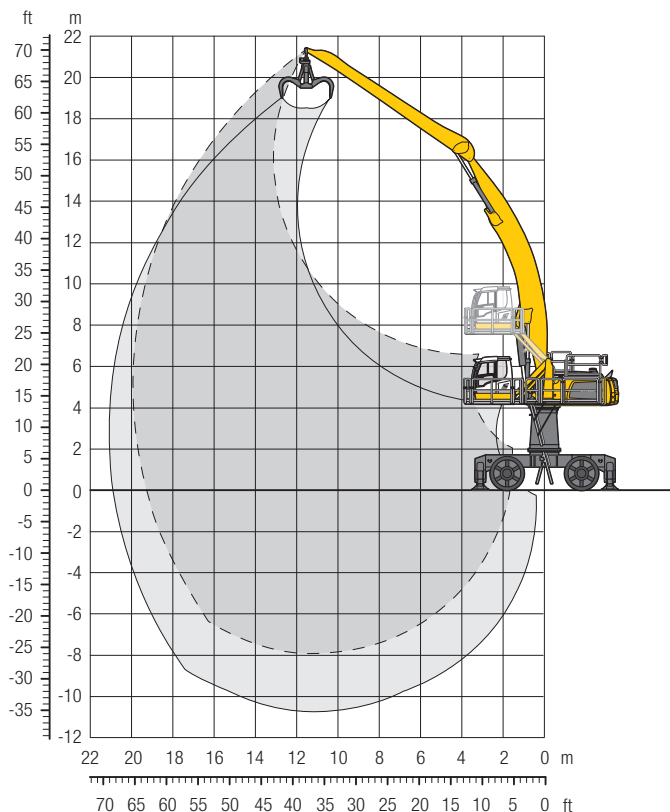
ft	Undercarriage	20 ft		25 ft		30 ft		35 ft		40 ft		45 ft		50 ft		55 ft		60 ft		65 ft		ft in	
		Can be slewed through 360°	In longitudinal position of undercarriage	Can be slewed through 360°	In longitudinal position of undercarriage	Can be slewed through 360°	In longitudinal position of undercarriage	Can be slewed through 360°	In longitudinal position of undercarriage	Can be slewed through 360°	In longitudinal position of undercarriage	Can be slewed through 360°	In longitudinal position of undercarriage	Can be slewed through 360°	In longitudinal position of undercarriage	Can be slewed through 360°	In longitudinal position of undercarriage	Can be slewed through 360°	In longitudinal position of undercarriage	Can be slewed through 360°	In longitudinal position of undercarriage	Can be slewed through 360°	In longitudinal position of undercarriage
60	SW																						
55	SW																						
50	SW																						
45	SW	27,8*	27,8*																				
40	SW	32,9*	32,9*	28,2*	28,2*																		
35	SW	33,4*	33,4*	28,9*	28,9*	26,2*	26,2*																
30	SW	33,7*	33,7*	29,2*	29,2*	25,7*	25,7*	23,4*	23,4*														
25	SW	34,1*	34,1*	29,3*	29,3*	25,9*	25,9*	23,3*	23,3*	19,3	21,2*												
20	SW	35,7*	35,7*	30,3*	30,3*	26,4*	26,4*	23,6*	23,6*	19,3	21,3*												
15	SW	38,3*	38,3*	31,8*	31,8*	27,3*	27,3*	23,8	24,0*	19,0	21,4*	15,4	17,2*										
10	SW	41,5*	41,5*	33,6*	33,6*	28,4*	28,4*	23,2	24,6*	18,6	21,6*	15,3	18,7*										
5	SW	44,5*	44,5*	35,3*	35,3*	28,5	29,3*	22,5	25,0*	18,2	21,6*	15,1	18,3*										
0	SW	46,2*	46,2*	36,1	36,3*	27,5	29,8*	21,8	25,0*	17,8	21,2*	14,9	17,3*										
-5	SW	45,5*	45,5*	34,9	35,9*	26,7	29,3*	21,3	24,4*	17,5	20,2*	14,8	15,3*										
-10	SW	41,7*	41,7*	33,7*	33,7*	26,2	27,6*	21,0	22,6*	17,4	17,9*												
-15	SW			29,0*	29,0*	23,8*	23,8*	19,0*	19,0*														
-20	SW																						

Height **Can be slewed through 360°** **In longitudinal position of undercarriage** **Max. reach** * Limited by hydr. capacity

The lift capacities on the stick end without attachment are stated in lb x 1,000 and can be slewed through 360° on a firm, level supporting surface. Capacities are valid for 24" wide triple grouser pads (resp. flat pads). Indicated loads based on the ISO 10567 standard and do not exceed 75 % of tipping or 87 % of hydraulic capacity. The lift capacity values indicated are attained at the corresponding operating temperature. This operating temperature is ensured by continuous movement of the boom. Weights of fitted attachments (grabs, load hooks, etc.) and load accommodation attachment are to be deducted from the lift capacity values. The lift capacity of the unit is limited by its stability, the lifting capability of the hydraulic elements, or the maximum permissible lifting capacity of the load hook.

LH 60 M HR – Equipment AG20

Industry – Kinematic 2C

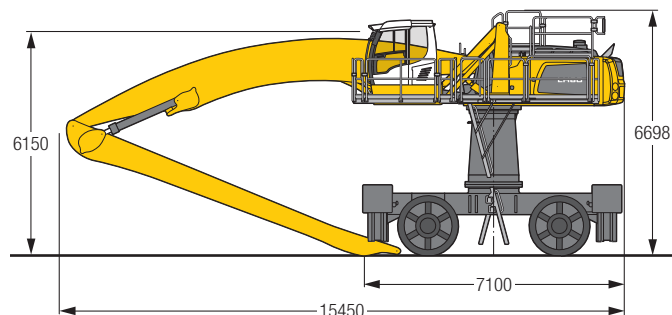


Operating Weight

The operating weight includes the basic machine with 4 point outriggers, turret 6'7", hydr. cab elevation, 4 solid tires, angled boom 37'9", straight stick 31'2" and multi-tine grab GMM 80-5/ 1.44 yd³ semi-closed tines.

Weight 159,200 lb

Dimensions



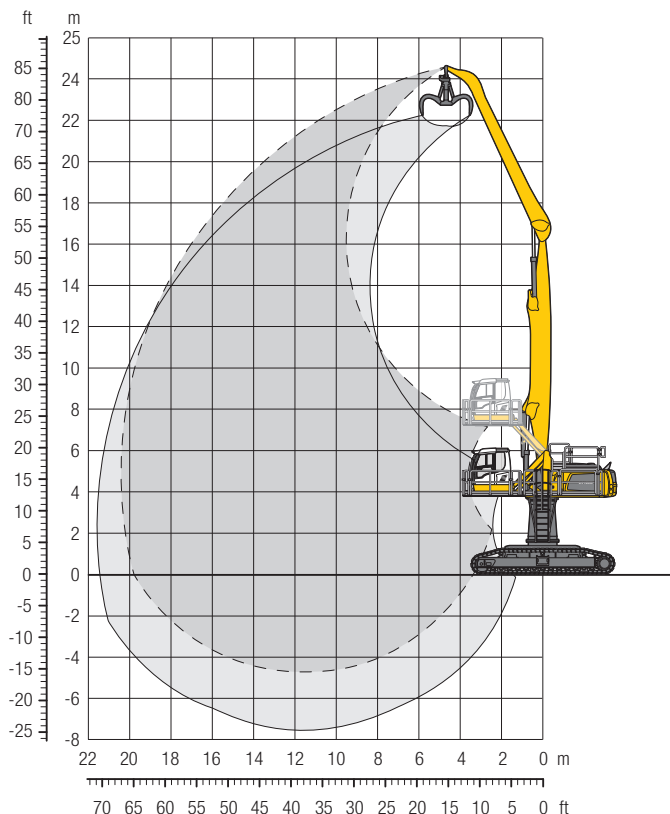
ft	Undercarriage	20 ft		25 ft		30 ft		35 ft		40 ft		45 ft		50 ft		55 ft		60 ft		65 ft		ft in			
		ft	in	ft	in	ft	in	ft	in	ft	in	ft	in	ft	in	ft	in	ft	in	ft	in	ft	in		
70	4 pt. outriggers down																					12,5"	12,5"	37'10"	
65	4 pt. outriggers down																						11,4"	11,4"	44' 1"
60	4 pt. outriggers down											12,1"	12,1"										10,8"	10,8"	49'
55	4 pt. outriggers down											12,0"	12,0"	11,3"	11,3"								10,4"	10,4"	53'
50	4 pt. outriggers down											11,9"	11,9"	11,2"	11,2"	10,6"	10,6"						10,1"	10,1"	56' 4"
45	4 pt. outriggers down											12,0"	12,0"	11,2"	11,2"	10,5"	10,5"						10,0"	10,0"	59'
40	4 pt. outriggers down											12,2"	12,2"	11,3"	11,3"	10,6"	10,6"	10,0"	10,0"				9,9"	9,9"	61' 1"
35	4 pt. outriggers down									13,7"	13,7"	12,5"	12,5"	11,5"	11,5"	10,7"	10,7"	10,1"	10,1"				9,8"	9,8"	62'10"
30	4 pt. outriggers down							15,8"	15,8"	14,1"	14,1"	12,8"	12,8"	11,7"	11,7"	10,9"	10,9"	10,2"	10,2"				9,7"	9,7"	64' 1"
25	4 pt. outriggers down					19,0"	19,0"	16,5"	16,5"	14,6"	14,6"	13,2"	13,2"	12,0"	12,0"	11,1"	11,1"	10,3"	10,3"				9,6"	9,6"	64'11"
20	4 pt. outriggers down	30,5"	30,5"	24,2"	24,2"	20,2"	20,2"	17,3"	17,3"	15,2"	15,2"	13,6"	13,6"	12,3"	12,3"	11,3"	11,3"	10,4"	10,4"	9,7"	9,7"		9,6"	9,6"	65' 4"
15	4 pt. outriggers down	33,1"	33,1"	25,9"	25,9"	21,3"	21,3"	18,1"	18,1"	15,8"	15,8"	14,0"	14,0"	12,6"	12,6"	11,5"	11,5"	10,6"	10,6"	9,7"	9,7"		9,6"	9,6"	65' 5"
10	4 pt. outriggers down	26,1"	26,1"	27,3"	27,3"	22,3"	22,3"	18,8"	18,8"	16,3"	16,3"	14,4"	14,4"	12,9"	12,9"	11,7"	11,7"	10,6"	10,6"	9,6"	9,6"		9,6"	9,6"	65'
5	4 pt. outriggers down	20,0"	20,0"	28,3"	28,3"	23,1"	23,1"	19,4"	19,4"	16,8"	16,8"	14,7"	14,7"	13,1"	13,1"	11,8"	11,8"	10,6"	10,6"				9,6"	9,6"	64' 4"
0	4 pt. outriggers down	18,8"	18,8"	28,8"	28,8"	23,5"	23,5"	19,8"	19,8"	17,0"	17,0"	14,9"	14,9"	13,2"	13,2"	11,8"	11,8"	10,4"	10,4"				9,5"	9,5"	63' 2"
-5	4 pt. outriggers down	19,2"	19,2"	28,5"	28,5"	23,5"	23,5"	19,8"	19,8"	17,0"	17,0"	14,9"	14,9"	13,1"	13,1"	11,5"	11,5"	9,9"	9,9"				9,3"	9,3"	61' 7"
-10	4 pt. outriggers down	20,3"	20,3"	27,4"	27,4"	22,8"	22,8"	19,4"	19,4"	16,7"	16,7"	14,5"	14,5"	12,6"	12,6"	10,9"	10,9"						9,1"	9,1"	59' 7"
-15	4 pt. outriggers down	21,7"	21,7"	25,4"	25,4"	21,5"	21,5"	18,3"	18,3"	15,8"	15,8"	13,6"	13,6"	11,6"	11,6"	9,6"	9,6"						8,6"	8,6"	57' 1"
-20	4 pt. outriggers down	23,5"	23,5"	22,3"	22,3"	19,2"	19,2"	16,5"	16,5"	14,1"	14,1"	12,0"	12,0"	9,8"	9,8"								7,8"	7,8"	54'
-25	4 pt. outriggers down					15,7"	15,7"	13,5"	13,5"	11,5"	11,5"												9,7"	9,7"	44' 1"

Height **Can be slewed through 360°** **In longitudinal position of undercarriage** **Max. reach** * Limited by hydr. capacity

The lift capacities on the stick end without attachment are stated in lb x 1,000 and are valid on a firm, level supporting surface with blocked oscillating axle. These capacities can be slewed through 360° with the undercarriage in the transverse position. Capacities in the longitudinal position of the undercarriage (+/- 15°) are specified over the rigid axle with the stabilizers down. Indicated loads based on the ISO 10567 standard and do not exceed 75% of tipping or 87% of hydraulic capacity. The lift capacity values indicated are attained at the corresponding operating temperature. This operating temperature is ensured by continuous movement of the boom. Weights of fitted attachments (grabs, load hooks, etc.) and load accommodation attachment are to be deducted from the lift capacity values. The lift capacity of the unit is limited by its stability, the lifting capability of the hydraulic elements, or the maximum permissible lifting capacity of the load hook.

LH 60 C HR – Equipment GA21

Industry – Kinematic 2A

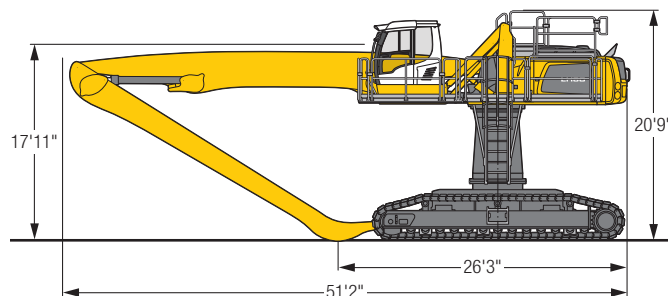


Operating Weight and Ground Pressure

The operating weight includes the basic machine with turret 6'7", hydr. cab elevation, straight boom 37'9", angled stick 31'2" and multi-tine grab GMM 80-5/1.44 yd³ semi-closed tines.

Weight	160,900 lb
Pad width	30"
Ground pressure	on request

Dimensions



ft	Undercarriage	20 ft		25 ft		30 ft		35 ft		40 ft		45 ft		50 ft		55 ft		60 ft		65 ft		ft in		
		SW	SW	SW	SW	SW	SW	SW	SW	SW	SW	SW	SW	SW	SW	SW	SW	SW	SW	SW	SW	SW	SW	
80	SW																					21,9"	21,9"	17'
75	SW																					15,8"	15,8"	30' 4"
70	SW			19,7"	19,7"	16,1"	16,1"															13,5"	13,5"	38' 7"
65	SW					20,4"	20,4"	18,7"	18,7"	16,3"	16,3"											12,2"	12,2"	44' 11"
60	SW							19,1"	19,1"	17,1"	17,1"	15,6"	15,6"									11,3"	11,3"	49' 11"
55	SW							18,9"	18,9"	17,0"	17,0"	15,4"	15,4"	14,1"	14,1"							10,7"	10,7"	54'
50	SW							18,9"	18,9"	16,9"	16,9"	15,4"	15,4"	14,1"	14,1"	12,9"	12,9"					10,4"	10,4"	57' 4"
45	SW							19,0"	19,0"	17,0"	17,0"	15,4"	15,4"	14,0"	14,0"	12,9"	12,9"	10,2"	10,2"			10,1"	10,1"	60' 1"
40	SW					21,9"	21,9"	19,3"	19,3"	17,2"	17,2"	15,5"	15,5"	14,1"	14,1"	12,9"	12,9"	11,8"	11,8"			9,9"	9,9"	62' 4"
35	SW					22,4"	22,4"	19,6"	19,6"	17,4"	17,4"	15,6"	15,6"	14,2"	14,2"	12,9"	12,9"	11,8"	11,8"			9,9"	9,9"	64'
30	SW			25,1"	25,1"	23,1"	23,1"	20,1"	20,1"	17,7"	17,7"	15,8"	15,8"	14,3"	14,3"	12,9"	12,9"	11,7"	11,7"	10,5"	10,5"	9,9"	9,9"	65' 5"
25	SW	27,9"	27,9"	28,5"	28,5"	23,9"	23,9"	20,5"	20,5"	18,0"	18,0"	16,0"	16,0"	14,4"	14,4"	13,0"	13,0"	11,7"	11,7"	10,3"	10,3"	9,9"	9,9"	66' 4"
20	SW	37,4"	37,4"	29,7"	29,7"	24,6"	24,6"	21,0"	21,0"	18,3"	18,3"	16,2"	16,2"	14,5"	14,5"	13,0"	13,0"	11,6"	11,6"	10,2"	10,2"	9,5"	9,5"	66' 10"
15	SW	39,1"	39,1"	30,7"	30,7"	25,3"	25,3"	21,4"	21,4"	18,6"	18,6"	16,3"	16,3"	14,5"	14,5"	12,9"	12,9"	11,4"	11,4"	9,8"	9,8"	9,0"	9,0"	67'
10	SW	23,1"	23,1"	31,3"	31,3"	25,6"	25,6"	21,6"	21,6"	18,7"	18,7"	16,3"	16,3"	14,4"	14,4"	12,7"	12,7"	11,1"	11,1"	9,3"	9,3"	8,4"	8,4"	66' 8"
5	SW	16,6"	16,6"	31,1"	31,1"	25,6"	25,6"	21,5"	21,5"	18,5"	18,5"	16,1"	16,1"	14,1"	14,1"	12,3"	12,3"	10,6"	10,6"	8,4"	8,4"	7,7"	7,7"	66' 1"
0	SW	15,8"	15,8"	30,0"	30,0"	24,8"	24,8"	21,0"	21,0"	18,0"	18,0"	15,6"	15,6"	13,5"	13,5"	11,6"	11,6"	9,7"	9,7"	6,9"	6,9"	6,9"	6,9"	65' 1"
-5	SW	16,7"	16,7"	27,7"	27,7"	23,3"	23,3"	19,8"	19,8"	17,0"	17,0"	14,6"	14,6"	12,5"	12,5"	10,5"	10,5"	8,2"	8,2"			7,4"	7,4"	61' 6"
-10	SW			24,1"	24,1"	20,8"	20,8"	17,9"	17,9"	15,4"	15,4"	13,1"	13,1"	11,0"	11,0"	8,8"	8,8"					8,3"	8,3"	56'
-15	SW							15,0"	15,0"	12,9"	12,9"											11,0"	11,0"	44' 5"

Height **Can be slewed through 360°** **In longitudinal position of undercarriage** **Max. reach** * **Limited by hydr. capacity**

The lift capacities on the stick end without attachment are stated in lb x 1,000 and can be slewed through 360° on a firm, level supporting surface. Capacities are valid for 30" wide flat pads. Indicated loads based on the ISO 10567 standard and do not exceed 75% of tipping or 87% of hydraulic capacity. The lift capacity values indicated are attained at the corresponding operating temperature. This operating temperature is ensured by continuous movement of the boom. Weights of fitted attachments (grabs, load hooks, etc.) and load accommodation attachment are to be deducted from the lift capacity values. The lift capacity of the unit is limited by its stability, the lifting capability of the hydraulic elements, or the maximum permissible lifting capacity of the load hook.

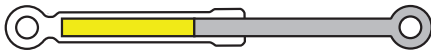


Liebherr ERC-System

ERC System – More Performance, Less Consumption

Lowering the equipment stores energy in the ERC system. This stored energy is then made available to the machine to provide additional engine power. When the equipment is raised the stored energy is released and is reflected in

powerful, homogeneous operating cycles. The result is a clear saving on fuel – and, at the same time, even greater performance.



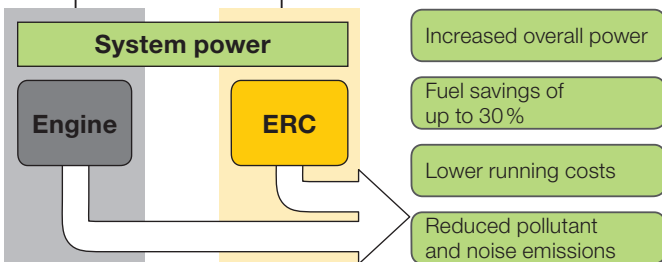
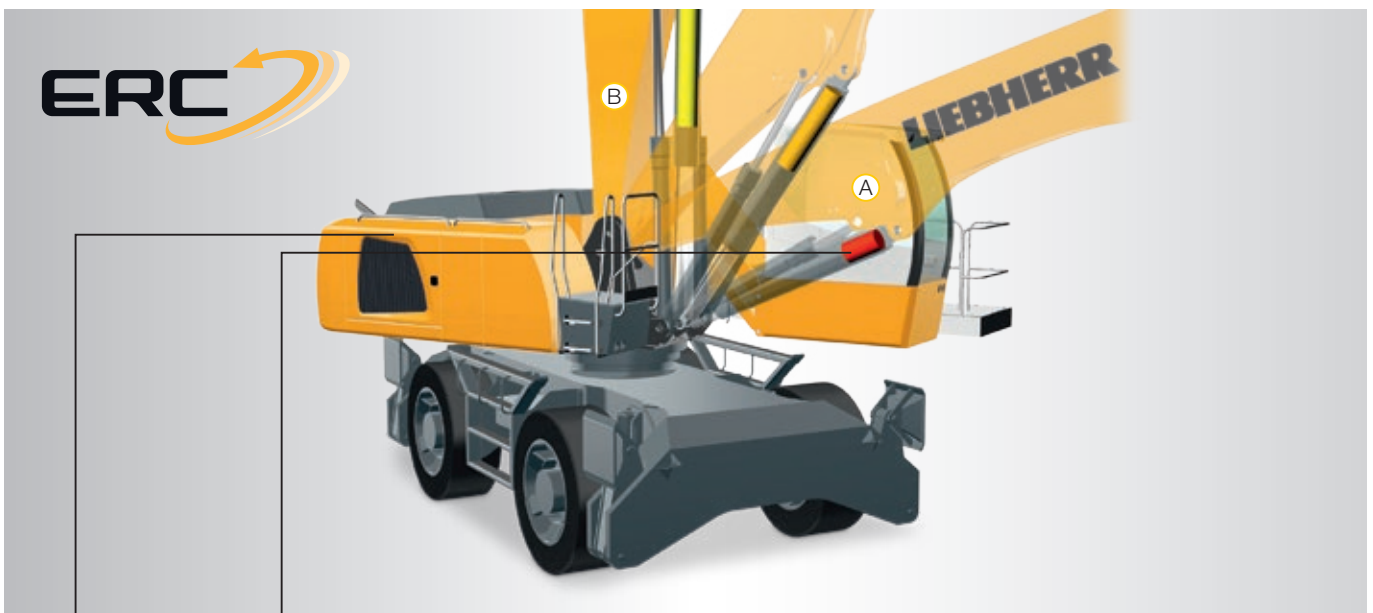
B 1. Equipment fitting raised/
Energy released



2. Lower equipment fitting/Store energy
4. Raise equipment fitting/Release energy

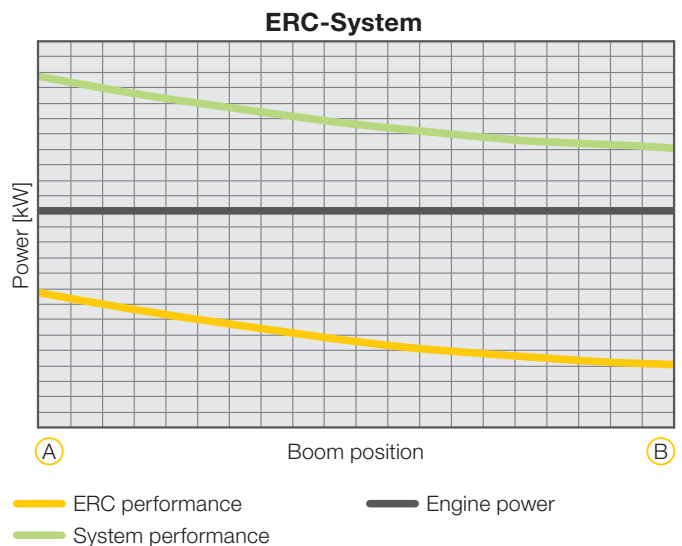


A 3. Equipment fitting lowered/
Energy stored

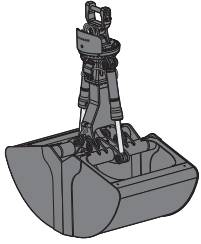


System Power

The energy recovery cylinder is a storage system which is independent of the diesel engine. The system performance of material handling machines fitted with the ERC system is composed of the installed engine power and the energy recovery cylinder. When the equipment is raised, energy from the ERC system is supplied in addition to the power from the diesel engine.



Attachments



Grab for Loose Material

Shells for loose material with cutting edge (without teeth)

Grab model GM 20C

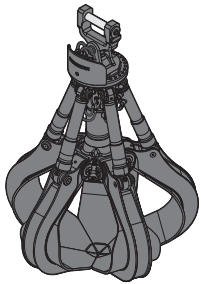
Width of shells	ft in	4'11"	5'9"	6'7"	3'11"	4'11"	5'9"	6'3"	7'1"	8'2"
Capacity	yd ³	1.96	2.29	2.62	2.75	3.27	3.92	4.58	5.23	5.88
Weight	lb	3,625	3,860	4,080	3,790	4,110	4,375	4,530	4,795	5,170

Grab model GMZ 50

Width of shells	ft in	4'7"	5'3"	5'11"	6'7"	7'3"	7'10"			
Capacity	yd ³	4.58	5.23	5.88	6.54	7.19	7.85			
Weight	lb	5,765	6,050	6,215	6,515	6,800	7,090			

Grab model GMZ 80

Width of shells	ft in	4'3"	4'11"	5'9"	6'7"	7'3"	8'6"			
Capacity	yd ³	3.92	4.58	5.23	5.88	6.54	7.85			
Weight	lb	5,535	5,785	6,105	6,480	6,690	7,120			



Multi-Tine Grab

open

semi-closed

closed

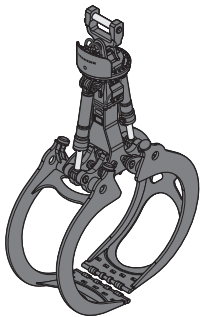
Grab model GMM 80-4 (4 tines)

Capacity	yd ³	1.44	1.83	2.22	1.44	1.83	2.22		1.83*	
Weight	lb	4,180	4,265	4,400	4,610	4,740	4,870		5,355	

Grab model GMM 80-5 (5 tines)

Capacity	yd ³	1.44	1.83	2.22	1.44	1.83	2.22	1.44*	1.83*	2.22*
Weight	lb	4,785	4,895	5,050	5,270	5,435	5,600	5,380	5,690	6,040

* heart-shaped



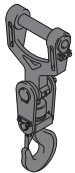
Wood Grab

Grab model GMH 80 round-shaped (complete overlapping, vertical cylinders)

Size	yd ²	1.91	2.27	2.63	2.99		
Cutting width	ft in	2'10"	2'10"	2'10"	2'10"		
Height of grab, closed	ft in	9'6"	9'9"	10'1"	10'4"		
Weight	lb	4,980	5,080	5,160	5,245		

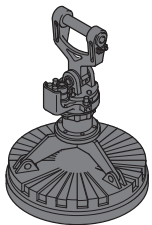
Grab model GMH 50 round-shaped (overlapping, horizontal cylinders)

Size	yd ²	2.99	2.99	3.35	3.83	4.31
Cutting width	ft in	2'10"	3'3"	3'3"	3'3"	3'3"
Height of grab, closed	ft in	7'11"	7'11"	8'3"	8'8"	9'3"
Weight	lb	4,630	4,795	4,980	5,105	5,225



Load Hook

Max. load	lb	27,560
Height with suspension	ft in	3'1"
Weight	lb	300





Magnet Devices / Lifting Magnets


Generator	kW	13/20/25
Electromagnet with suspension		
Power	kW	12.8/17.8
Diameter of magnet	ft in	5'7"
Weight	lb	7,230*


* only magnet plate


Equipment

 Undercarriage	60 M	60 C	60 M HR	60 C HR
Track pads, variants		+		+
Individual control outriggers	+		•	
Three-piece chain guide				•
Shuttle axle lock, automatic	•		•	
Outrigger monitoring system	+		+	
Tires, variants	+		+	
Protection for piston rods, outriggers	+		+	
Two lockable storage compartments	•			
Undercarriage, variants		+		

 Uppercarriage	60 M	60 C	60 M HR	60 C HR
Uppercarriage rear light, 2 pieces, LED	+	+		
Uppercarriage right side light, 1 piece, LED	•	•	•	•
Uppercarriage underneath rear light, 1 piece, LED			+	+
Refuelling system with filling pump	+	+	+	+
Railing on uppercarriage	+	+	•	•
Generator	+	+	+	+
Main battery switch for electrical system	•	•	•	•
Amber beacon, at uppercarriage, LED double flash	+	+	+	+
Protection for headlights	+	+		
Protection for rear lights	+	+		
Tool equipment, extended	•	•	•	•

 Hydraulic System	60 M	60 C	60 M HR	60 C HR
Electronic pump regulation	•	•	•	•
Liebherr hydraulic oil from -4 °F to +104 °F	•	•	•	•
Liebherr hydraulic oil, biologically degradable	+	+	+	+
Liebherr hydraulic oil, specially for warm or cold regions	+	+	+	+
Magnetic rod in hydraulic tank	•	•	•	•
Bypass filter	+	+	+	+
Preheating hydraulic oil	+	+	+	+

 Engine	60 M	60 C	60 M HR	60 C HR
Fuel anti-theft device	+	+	+	+
Air pre-filter with dust discharge	+	+	+	+
Automatic engine shut-down (time adjustable)	+	+	+	+
Preheating fuel	+	+	+	+
Preheating coolant	+	+	+	+
Preheating engine oil *	+	+	+	+

 Cooling System	60 M	60 C	60 M HR	60 C HR
Reversible fan drive, fully automatic	+	+	+	+
Protective grid in front of cooler intake	•	•	•	•



Operator's Cab

	60 M	60 C	60 M HR	60 C HR
Stabilizer, control lever, left console	+		+	
Stabilizer, proportional control on left joystick	•		•	
Cab lights rear, halogen	+	+	+	+
Cab lights rear, LED	+	+	+	+
Cab lights front, halogen	+	+	+	+
Cab lights front, halogen (under rain cover)	•	•	•	•
Cab lights front, LED	+	+	+	+
Cab lights front, LED (under rain cover)	+	+	+	+
Armrest adjustable	•	•	•	•
Circular bubble level	+	+	•	•
Slewing gear brake Comfort, button on the left or right joystick	+	+	+	+
Driver profile, personalized (max. 5 drivers)	+	+	+	+
Operator's seat Comfort	•	•	•	•
Operator's seat Premium	+	+	+	+
Driving alarm (acoustic signal is emitted during travel, can be switched ON/OFF)	+	+	+	+
Fire extinguisher	+	+	+	+
Footrest	+	+	+	+
Horn, button on left joystick	•	•	•	•
Joystick steering	•		•	
Joystick and wheel steering (slim version)	+	+		
Cab elevation, hydraulic (LHC)	•	•	•	•
Cab elevation, hydraulic with double parallelogram (LHC-D)			+	+
Cab elevation, rigid (LFC)	+	+		
Automatic air conditioning	•	•	•	•
Wheel steering (slim version)	+		+	
LIDAT, vehicle fleet management	•	•	•	•
Proportional control	•	•	•	•
Radio Comfort, control via display with handsfree set	+	+	+	+
Preparation for radio installation	•	•	•	•
Back-up alarm (acoustic signal is emitted traveling backward, can not be switched off)	+		+	
Amber beacon, on cabin, LED double flash	+	+	+	+
Windows made from impact-resistant laminated safety glass	+	+	•	•
Windscreen wiper, roof	+	+	+	+
Windshield wiper, entire windscreen	•	•	•	•
Top guard	+	+	+	+
Front guard, adjustable	+	+	+	+
Sun visor	+	+	+	+
Left control console, folding	•	•	•	•



Equipment

	60 M	60 C	60 M HR	60 C HR
Boom lights, 2 pieces, halogen	•	•	•	•
Boom lights, 2 pieces, LED	+	+	+	+
Stick lights, 2 pieces, halogen	•	•	•	•
Stick lights, 2 pieces, LED	+	+	+	+
Boom shutoff (retract/extend), electronically	+	+	•	•
Equipment with electro-hydraulic end position control	•	•	•	•
AutoLift	+	+	+	+
Pressure warning mechanism hoist cylinder	•	•	•	•
ERC system	•	•	•	•
Filter system for attachment	+	+	+	+
Height limitation and stick shutoff, electronically	+			
Electronic lift limitation		+	+	+
Boom cylinder cushioning	+	•	•	•
Stick camera (with separate monitor), bottom side, with protection	+	+	+	+
Load torque limitation	+	+	+	+
Liebherr multi coupling system	+	+	+	+
Liebherr quick coupler, hydraulic	+			
Pipe fracture safety valves hoist cylinders	•	•	•	•
Pipe fracture safety valves stick cylinders	•	•	•	•
Quick coupling system MH 110B	+	+	+	+
Protection for piston rod, energy recovering cylinder	+	+	+	+
Protection for piston rods, hoist cylinder	+	+	+	+
Stick shutoff (retract), electronically	•	•		
Stick shutoff (retract/extend), electronically	+	+	•	•
Retract stick without pressure	•	•	•	•
Sticks with quick coupling	+	+	+	+
Overload warning device	+	+	+	+



Complete Machine

	60 M	60 C	60 M HR	60 C HR
Lubrication				
Lubrication undercarriage, manually – decentralized (grease points)	•			
Lubrication undercarriage, manually – centralized (one grease point)	+		•	
Central lubrication system for uppercarriage and equipment, automatically	•	•	•	•
Central lubrication system for undercarriage, automatically	+		+	
Central lubrication system, extension for attachment	+			
Special coating				
Special coating, variants	+	+	+	+
Monitoring				
Rear view monitoring with camera	•	•	•	•
Side view monitoring with camera	•	•	•	•

• = Standard, + = Option

* = country-dependent

Options and/or special equipments, supplied by vendors other than Liebherr, are only to be installed with the knowledge and approval of Liebherr in order to retain warranty.

The Liebherr Group of Companies



Diverse Product Range

The Liebherr Group is one of the largest construction equipment manufacturers in the world. Liebherr's quality products and services hold a high reputation in many industries. The wide range includes domestic appliances, aerospace and transportation systems, machine tools and maritime cranes.

Exceptional Customer Benefit

Every product line provides a complete range of models in many different versions. With both their technical excellence and superior quality, Liebherr products offer customers the highest benefits in practical applications.

State-of-the-art Technology

Liebherr attributes great importance to the product areas of core technology and components, in order to achieve its consistent, top-quality products. Important modules and components are developed and manufactured in-house, for instance, the entire drive and control technology for the construction equipment and mining trucks.

Worldwide and Family-Owned

Hans Liebherr founded the Liebherr family company in 1949. Since that time, the enterprise has steadily grown to a group of more than 130 companies with nearly 44,000 employees located on all continents. The corporate headquarters of the Group is Liebherr-International AG in Bulle, Switzerland. The Liebherr family is the sole owner of the company.

www.liebherr.us

Liebherr USA, Co.

Construction Equipment Division
4100 Chestnut Avenue, Newport News, VA 23607, USA
☎ +1 (757) 245 5251, Fax +1 (757) 928 8701
www.liebherr.us, E-Mail: Construction.USA@liebherr.com
www.facebook.com/LiebherrConstruction