

Wheeled Excavator

A 918 Compact

Litronic®

Generation

6

Operating Weight

38,600 – 43,200 lb

Engine

154 HP (115 kW)

Tier 4f

Bucket Capacity

0.22 – 1.37 m³



LIEBHERR

Performance

Compact, Flexible – Perfect Combination
for Maximum Performance

Economy

A Sound Investment – Optimum Economy
and Environmentally Friendly

Operating Weight

38,600 – 43,200 kg

Engine

154 HP (115 kW)

Tier 4f

Bucket Capacity

0.22 – 1.37 m³



Reliability

Competence, Consistency, Innovation –
Proven Experience

Comfort

Ergonomic Excellence – Superior Cabin
Design for Operator Comfort and Wellbeing

Maintainability

Service Every Step of the Way –
Simple, Fast and Reliable



Performance



Compact, Flexible – Perfect Combination for Maximum Performance

Liebherr compact wheeled excavators are used on building sites all over the world. Machine operators rely on the power, speed and compact dimensions of the excavator to achieve impressive performance, day in and day out. Whether on inner city building sites, in roadway construction, classic earthmoving or for digging trenches and laying pipes, more can be achieved faster with Liebherr compact wheeled excavators.

Maximum Performance

Lifting More

The intelligent structure of the uppercarriage and the separate mounting of the hoist cylinders permit a superior lift capacity – and this with a tail swing radius of about 6 feet. As a result, the A 918 Compact Litronic combines the flexible application possibilities of a compact wheeled excavator with the performance of a standard wheeled excavator. They offer performance and flexibility for every building site.

Being Faster

The A 918 Compact Litronic enables a high working speed, even when driving and using attachments. Excavating, back-filling and profiling tasks can be completed faster, new tasks can be started sooner. The speed of the machine can be adjusted easily using the MODE switch for load lifting work or grading work.

Joystick Steering

With the optional joystick steering, the driver can steer the wheeled excavator proportionally using the mini joystick. In this way, working and driving movements can be performed at the same time without having to change controls. More efficient operation for even greater productivity.



Precise Work

Working with Precision

The standard joysticks with proportional controls and the extraordinary sensitivity of the hydraulic system enable precision work at high speeds and simultaneous movements. This means the machine operator can carry out the most challenging tasks in a short time, not only at reduced speed but also with maximum performance output from the machine.

Automatic Digging Brake

The automatic digging brake ensures that manual actuation of the brake pedal is no longer required, thus leading to easier operation of the machine. When the accelerator pedal is in a neutral position and the machine is stationary, the digging brake engages automatically. This results in faster work processes and enhanced safety for the operator and the machine, particularly during operation with frequent relocation of the excavator. Furthermore, the automatic digging brake can be linked with the automatic swing axle lock. When the machine is deployed and working, the swing axle locks automatically and thereby provides optimum stability.

Joystick with Proportional Control

- Good functionality with streamlined, ergonomic design
- 4-way mini-joystick enables versatile possibilities of control without having to encompass, for example steering, outriggers or working tools
- Two buttons and a rocker switch also increase the number of functions

Digging Force

- High digging and breakout force in the field
- Continuously high digging performance even in tough ground
- More digging force for faster results

Liebherr Tires

- Twin tires without intermediate ring with offset lugs
- Increased stability during work and less vibration when driving thanks to higher tire inflation pressure
- Better self-cleaning properties – even after a few yards – prevents soiling of the track surface
- Larger contact area for less ground pressure and higher traction on soft ground

Economy



A Sound Investment – Optimum Economy and Environmentally Friendly

Liebherr compact wheeled excavators are machines that combine high productivity and compact flexibility with excellent levels of economy – and all this comes as standard from the factory. On request, the efficiency of each wheeled excavator can be boosted further with a Liebherr productive bucket, a fuel-saving Liebherr hydraulic oil or a Liebherr quick coupling system, all of which provide more return from each operating hour.

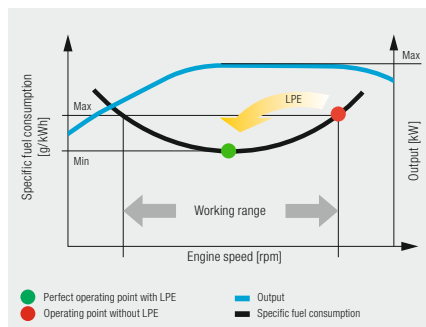
Maximum Efficiency

Fuel Efficiency and Exhaust Gas Aftertreatment

The Liebherr D924 diesel engine helps to preserve the environment with low fuel consumption and reduced emissions. For emission stage Tier 4f, Liebherr relies completely on an innovative SCR system from Liebherr, consisting of an SCR (Selective Catalytic Reductions) system and no other components such as a DPF (Diesel Particle Filter), DOC (Diesel Oxidation Catalyst), or EGR (Exhaust Gas Recirculation). This enables a 91 percent reduction of nitrogen oxide (NOX). The system reduces exhaust emissions without any compromise in performance.

Engine Idling and Engine Shut-down

The standard automatic idling function reduces the engine speed to idle as soon as the operator takes their hand from the joystick so that no hydraulic function is activated. Proximity sensors in the joystick levers restore the original engine speed as soon as the operator's hand is moved towards the lever again. This ensures that the set engine speed is available immediately. The result is a combination of fuel saving and reduced noise levels. Operating costs can be reduced even further with the optional automatic engine shut-down function.



Increased Productivity

Liebherr Working Tools and LIKUFIX

To boost the productivity of its construction machines, Liebherr offers a broad range of working tools for different fields of application. Furthermore, the hydraulic excavators can also be equipped with the Liebherr LIKUFIX hydraulic quick coupling system. The combination of a hydraulic Liebherr quick coupling system with the LIKUFIX coupling block permits fast, safe changing of mechanical and hydraulic working tools from the operator's cabin. This boosts productivity on average by 30%.

Efficient Management

LIDAT, Liebherr's own data transmission and positioning system, facilitates efficient management, monitoring and control of the entire fleet in terms of machinery data recording, data analysis, fleet management and service. All of the important machinery data can be viewed at any time on a web browser. LIDAT provides you comprehensive work deployment documentation, greater availability thanks to shorter downtimes, faster support from the manufacturer, quicker detection of strain/overload and subsequently a longer service life of the machine as well as greater planning efficiency.

Travel Drive

- High tractive force for fast acceleration on level ground and high end speed on gradients
- Reduces unproductive travel time between tasks and on the building site
- Faster on site – More productive

Low Fuel Consumption Thanks to Intelligent Machine Control

- Liebherr-Power Efficiency (LPE) optimizes the interaction of the drive components in terms of efficiency
- LPE enables machine operation in the area of the lowest specific fuel use for less consumption and greater efficiency with the same performance

Liebherr Quick Coupling System LIKUFIX

- Faster and safer changing of mechanical and hydraulic working tools from the operator's cabin
- Machine utilization increased to up to 90% thanks to extended deployment options
- Visual and acoustic check of correct locking position of tool at quick coupling system by two proximity sensors

Reliability



Competence, Consistency, Innovation – Proven Experience

Reliability offers safety. Safety that significantly influences the success of a project. In every situation, Liebherr stands for safety – with reliable construction machines and customer-oriented sales and service partners. This means a Liebherr construction machine is exactly what it should be: an investment that pays off.

High Machine Availability

Quality and Competence

Our product experience, our understanding of technical design and feedback from customers, sales and service form the basis for the use of pioneering ideas and have always been an integral part of our recipe for success. Key components such as the electronic components, slewing ring, slewing drive and hydraulic cylinders are developed and manufactured in-house. Our great production depth guarantees the highest possible quality and allows the components to be coordinated perfectly.

Reduced Vibrations

The driving oscillation dampers comprise pressure accumulators that act as “shock absorbers” on the lift cylinders to ensure that vibrations from the equipment are not transferred to the uppercarriage. The damping function reduces the mechanical load on the steel structure, which in turn results in a longer service life of the components.



QPDM – Quality and Process Data Management

- QPDM allows production data to be logged, documented and evaluated
- Automation of documentation and test specifications
- Ability to handle large quantities and maintain uniform high quality

Greater Safety

Safety

In addition to the performance and economy of a wheeled excavator, the other main focus is on the safety of personnel and the machine. A wide range of equipment such as pipe fracture safety devices on lifting and stick cylinders, load holding valves on outriggers, lift limitation in height, overload warning device, roll-over protection system (ROPS) and the emergency exit through the rear window deliver maximum safety for every job.

Excellent all Around Vision

The large areas of glass and the rear and side area monitoring systems provide the operator with an excellent view of the working area and the zone around the machine. This perfect view enhances the operator’s safety and ensures that in turn they can handle the machine safely at all times.

Robust Construction

All the steel components are designed and manufactured by Liebherr. High strength steel sheets designed to withstand the harshest requirements guarantee high torsion resistance and excellent absorption of forces to ensure a long service life.



Less is More

- Extended range of possible applications due to a short tail swing radius of about 6 feet
- Greater safety for the operator and the machine
- Liebherr compact wheeled excavators: short and safe



Bright and Durable

- Numerous lights illuminate the work area, providing better visibility and greater safety for the operator and the machine
- The standard LED tail lights are not just nice looking but also have high luminosity and an extremely long service life

Comfort



Ergonomic Excellence – Superior Cabin Design for Operator Comfort and Wellbeing

The modern Liebherr operator's cab is the largest in this machine class, and offers the best conditions for healthy, focused and productive working. Standard features include an air-sprung operator seat with seat heating, automatic air conditioning and the ergonomically arranged control elements with touchscreen indicating unit. An example of the extensive safety equipment is the roll-over protection system (ROPS) for the cab fitted as standard according to ISO 12117-2 as well as the standard windows made from impact-resistant laminated safety glass.

First-class Cab

Automatic Air Conditioning

The automatic air conditioning offers intuitive operation. Temperature, blower setting and the various air nozzles in the head, chest and foot areas are set using the touch screen. The defrost/defog one-button function clears fogged up windows in the shortest possible time. The filter for the cab air can be changed easily and conveniently from the outside.

Operator Seats

The Standard, Comfort and Premium operator's seat versions deliver maximum comfort. Even the standard operator seat offers an extensive range of features such as air suspension, seat heating, headrest, lumbar support and more.

Low Noise Levels

The use of viscoelastic mounts, good insulation and low noise diesel engines from Liebherr minimizes noise emissions and vibrations. The noise levels are just 71 dB(A) in the operator's cab and 100 dB(A) outside.

Comfortable Operation

Sliding two-piece Windshield

The windshield can be partially or fully slid into the roof to give an unrestricted view of the work area.

Radio with Hands-free Device

The radio can be equipped with an MP3-compatible USB slot and integrated hands-free device, which means that calls can even be taken while working with the machine. Operation of the radio is by means of the color touchscreen display. Station search, volume control and mute can be controlled with ease. Simple operation for greater comfort.

Control Unit

The large touchscreen provides the operator with a fast, uncomplicated interface which delivers all the information required for working with the machine. A flat, intuitive menu system ensures that it can be readily understood so that the control unit can be used in a highly productive way.



Refueling

- Using the optional refueling pump, the machine can be refueled directly from a fuel container
- The tank hose integrated in the service door and the automatic shut-off when the tank is full offer greater convenience and short replenishment times
- Topping up – simple, quick and safe

Maximum Safety

- More convenient and safer entry and exit in and out of the cab thanks to added width from the folding arm console
- Three entry steps with standard anti-slip galvanised plates provide a boost to safety

Intuitive Operation

- Display of the machine data and camera image on the 7-inch unit with touch screen and direct access via menu bar
- 20 user-programmable memory slots for working tools, which can be used for quickly and easily setting the oil pressure and oil flow at the push of a button when changing tools
- Rear and side area monitoring provide optimum visibility of the working area at all times

Maintainability



Service Every Step of the Way – Simple, Fast and Reliable

Liebherr compact wheeled excavators are not only powerful, robust, precise and efficient, they also have an impressive service-oriented design. Maintenance is performed quickly, simply and safely. This reduces maintenance costs and keeps machine downtimes to a minimum.

Simplified Maintenance Concept

Service-based Machine Design

The service-based machine design guarantees short servicing times, thus minimizing maintenance costs due to the time it saves. All the maintenance points are easily accessible from the ground and easy to reach due to the large, wide-opening service doors. The enhanced service concept places the maintenance points close to each other and reduces their number to a minimum. This means that service work can be completed even more quickly and efficiently.

Hydraulic Oils with Added Value

Liebherr hydraulic oils achieve a service life of 6,000 operating hours plus. Instead of having defined change intervals, the results of the oil analysis (every 1,000 operating hours or after one year) determine when the oil needs to be changed. The unique Liebherr Hydraulic Plus oil can even achieve a service life of 8,000 operating hours plus at the same time reducing fuel consumption by up to 5%.

Your Competent Service Partner

Maintenance without Draining the Oil

A cut-off valve isolating the oil reservoir from the hydraulic system is fitted as standard. This allows simple maintenance work to be performed on the hydraulic components without having to drain off the hydraulic fluid. Reduced maintenance time for greater machine availability.

Remanufacturing

The Liebherr remanufacturing program offers cost-effective reconditioning of components to the highest quality standards. Various reconditioning levels available including replacement components and general overhaul or repair. The customer receives components with original part quality at a reduced cost.

Competent Advice and Service

Experienced Liebherr specialists are available to provide competent advice that is relevant to your specific requirements. Application-oriented sales support, service agreements, cost effective repair alternatives, original parts management, as well as remote data transmission for machine planning and fleet management.



Lubricating During Work

- Fully automatic central lubrication system for the attachment and swing ring
- Can be optionally expanded to the connecting link and quick coupler
- Lubricating without interrupting work for higher productivity

Excellent Service Access

- Large, wide-opening service doors
- Engine oil, fuel, air and cab air filters are easily and safely accessible from the ground
- The oil level in the hydraulic tank can be checked from the cab
- Short service times for more productivity

Rapid Spare Parts Service

- 24-hour delivery: Spare parts service is available for our dealers around the clock
- Electronic spare parts catalogue: Fast and reliable selection and ordering via the Liebherr online portal
- With online tracking, the current processing status of your order can be viewed at any time

Wheeled Excavator A 918 Compact Litronic

Overview

Superbly Designed Attachment for Maximum Reliability

- Various boom versions and stick lengths
- Liebherr hydraulic cylinders
- Pipe fracture safety valves hoisting and stick cylinders
- Overload warning device
- Driving oscillation damper (optional)
- Liebherr quick coupling systems (optional)
- Wide selection of Liebherr working tools (optional)

Service-based machine design

- Fully automatic central lubrication system for uppercarriage and attachment
- Large, wide-opening service doors
- Central maintenance points accessible from the ground
- Hydraulic shut-off cock
- Cab air filter can be replaced quickly and conveniently from outside





Ergonomic Operator's Work Station for Maximum Comfort

- Operator's seat Comfort or Premium (optional)
- Automatic air-conditioning system
- 7" high resolution color display with touchscreen operation
- Resonant arm console and ergonomic joysticks
- Folding arm console, left
- Proportional control with 4-way mini-joystick
- Joystick steering (optional)
- Large windows
- Protective grille at top and bottom, adjustable (optional)
- Convenient radio operation with hands-free device
- Tool Control for working tools
- LED headlights (optional)
- Rear and side monitor
- Skyview 360° – camera system

Superior Technology for Highest Economy

- Liebherr diesel engine compliant with stage Tier 4f
- Emissions treatment with Liebherr-SCR technology
- Liebherr-Power-Efficiency (LPE)
- Load-sensing-control
- MODE selection (Sensitive, ECO, Power, Power-Plus)
- Sensor-controlled automatic idling system

Perfect Combination for Highest Possible Performance

- Short tail swing radius
- Various support versions, welded on
- Travel drive integrated in undercarriage
- Automatic working brake
- Liebherr tires without intermediate ring

Technical Data



Diesel Engine

Rating per SAE J1349/ISO 9249	154 HP (l) (115 kW) at 1,800 rpm
Model	Liebherr D924
Type	4 cylinder in-line
Bore/Stroke	4.1/5.2 in
Displacement	274.6 in ³
Engine operation	4-stroke diesel Common-Rail turbo-charged and after-cooled reduced emissions
Air cleaner	dry-type air cleaner with pre-cleaner, primary and safety elements
Engine idling	sensor controlled
Electrical system	
Voltage	24 V
Batteries	2 x 135 Ah/ 12 V
Alternator	three-phase current 28 V/ 140 A
Stage Tier 4f	
Harmful emissions values	in accordance with EPA/CARB-40CFR stage Tier 4f
Emission control	Liebherr-SCR technology
Option	Liebherr particle filter
Fuel tank	66 gal
Urea tank	12 gal



Cooling System

Diesel engine	water-cooled compact cooling system consisting cooling unit for water, hydraulic oil and charge air with stepless thermostatically controlled fan, fans for radiator cleaning can be completely folded away
----------------------	--



Hydraulic Controls

Power distribution	via control valves with integrated safety valves, simultaneous and independent actuation of chassis, swing drive and equipment
Servo circuit	
Equipment and swing	with hydraulic pilot control and proportional joystick levers
Chassis	electroproportional via foot pedal
Additional functions	via switch or electroproportional foot pedals
Proportional control	proportionally acting transmitters on the joysticks for additional hydraulic functions



Hydraulic System

Hydraulic pump	Liebherr axial piston variable displacement pump
for equipment and travel drive	
Max. flow	79 gpm
Max. pressure	5,076 psi
Hydraulic pump regulation and control	Liebherr-Synchron-Comfort-system (LSC) with electronic engine speed sensing regulation, pressure and flow compensation, torque controlled swing drive priority
Hydraulic tank	34 gal
Hydraulic system	max. 79 gal
Hydraulic oil filter	1 main return filter with integrated partial micro filtration (5 µm)
MODE selection	adjustment of engine and hydraulic performance via a mode pre-selector to match application, e.g. for especially economical and environmentally friendly operation or for maximum digging performance and heavy-duty jobs
S (Sensitive)	mode for precision work and lifting through very sensitive movements
E (Eco)	mode for especially economical and environmentally friendly operation
P (Power)	mode for high performance with low fuel consumption
P+ (Power-Plus)	mode for highest performance and for very heavy duty applications, suitable for continuous operation
Engine speed and performance setting	stepless alignment of engine output and hydraulic power via engine speed
Option	Tool Control: 20 preadjustable pump flows and pressures for add-on attachments



Swing Drive

Drive	Liebherr axial piston motor with integrated brake valve and torque control, Liebherr planetary reduction gear
Swing ring	Liebherr, sealed race ball bearing swing ring, internal teeth
Swing speed	0 – 10.0 rpm stepless
Swing torque	39,828 lbf ft
Holding brake	wet multi-disc (spring applied, pressure released)
Option	pedal controlled positioning swing brake slewing gear brake Comfort



Operator's Cab

Cab	ROPS safety cab structure (roll-over protection system) with individual windscreens or featuring a slide-in subpart under the ceiling, work headlights integrated in the ceiling, a door with a sliding window (can be opened on both sides), large stowing and depositing possibilities, shock-absorbing suspension, sounddamping insulating, tinted laminated safety glass, separate window shades for the sunroof window and windscreen
Operator's seat Standard	air cushioned operator's seat with 3D-adjustable armrests, headrest, lap belt, seat heater, manual weight adjustment, adjustable seat cushion inclination and length and mechanical lumbar vertebrae support
Operator's seat Comfort (Option)	in addition to operator's seat standard: lockable horizontal suspension, automatic weight adjustment, adjustable suspension stiffness, pneumatic lumbar vertebrae support and passive seat climatization with active coal
Operator's seat Premium (Option)	in addition to operator's seat comfort: active electronic weight adjustment (automatic re-adjustment), pneumatic low frequency suspension and active seat climatization with active coal and ventilator
Control system	joysticks with control consoles and swivel seat, folding left control console
Operation and displays	large high-resolution operating unit, self-explanatory, color display with touchscreen, video-compatible, numerous setting, control and monitoring options, e.g. air conditioning control, fuel consumption, machine and attachment parameters
Air-conditioning	automatic air-conditioning, recirculated air function, fast de-icing and demisting at the press of a button, air vents can be operated via a menu; recirculated air and fresh air filters can be easily replaced and are accessible from the outside; heating-cooling unit, designed for extreme outside temperatures, sensors for solar radiation, inside and outside temperatures (country-dependent)



Undercarriage

Drive	oversized two speed power shift transmission with additional creeper speed, Liebherr axial piston motor with functional brake valve on both sides
Pulling force	28,551 lbf
Travel speed	0 – 2.2 mph stepless (creeper speed off-road) 0 – 4.3 mph stepless (off-road) 0 – 8.1 mph stepless (creeper speed on-road) 0 – 12.4 mph stepless (road travel) 0 – max. 15.5 or 18.6 mph Speeder (Option)
Driving operation	automotive driving using accelerator pedal, cruise control function: storage of variable accelerator pedal positions, both off-road and on-road
Axes	manual or automatic hydraulically controlled front axle oscillation lock
Service brake	two circuit travel brake system with accumulator; wet and backlash-free disc brake
Automatic digging brake	works automatically when driving off (accelerator pedal actuation) and when the machine is stationary (engagement); the digging brake engages automatically – can be coupled with automatic swing axle lock
Holding brake	wet multi-disc (spring applied, pressure released)
Stabilization	rear stabilizer blade (adjustable during travel for dozing) rear + front stabilizer blade rear outriggers + front stabilizer blade
Option	EW-undercarriage 9'



Equipment

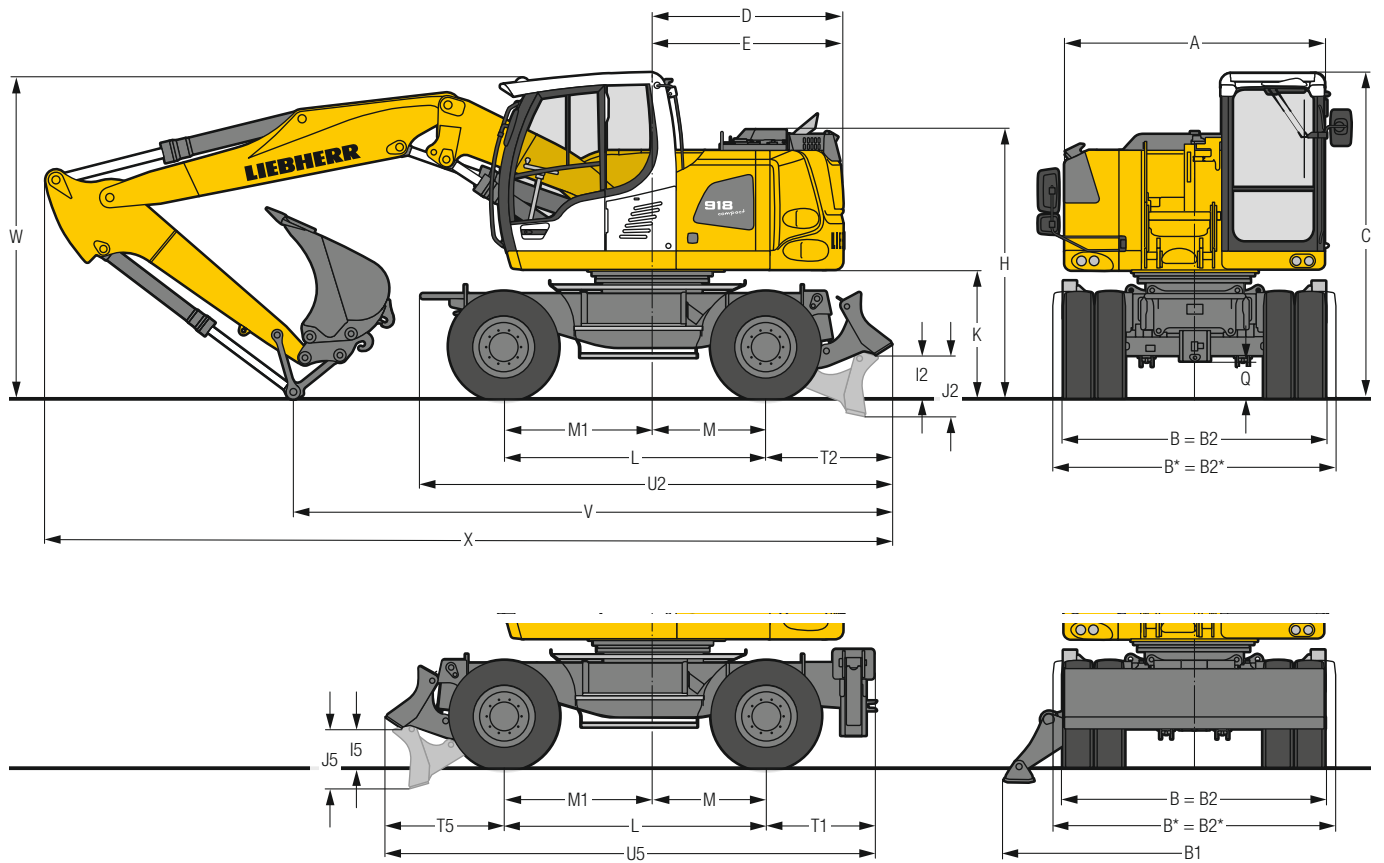
Type	high-strength steel plates at highly stressed points for the toughest requirements. Complex and stable mountings of equipment and cylinders
Hydraulic cylinders	Liebherr cylinders with special seal system
Bearings	sealed, low maintenance



Complete Machine

Lubrication	Liebherr central lubrication system for upper-carriage and equipment, automatically	
Noise emission		
ISO 6396	L_{pA} (inside cab)	= 71 dB(A)
2000/14/EC	L_{WA} (surround noise)	= 100 dB(A)

Dimensions



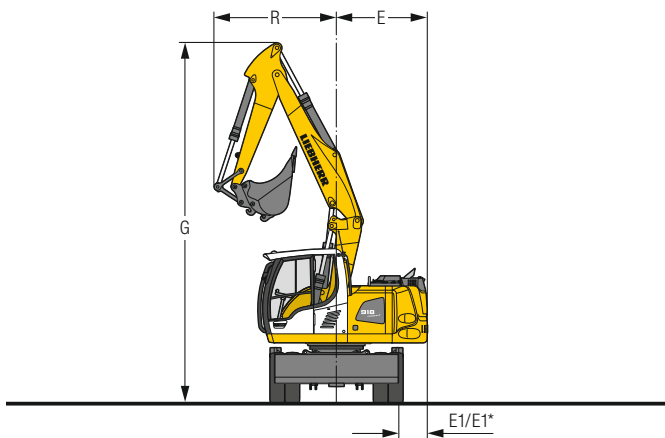
	ft in
A	8' 3"
B	8' 4"
B*	9'
B1	12' 1"
B2	8' 4"
B2*	9'
C	10' 5"
D	6' 1"
E	6' 1"
H	8' 6"
I2	1' 5"
I5	1' 3"
J2	2'
J5	1'11"
K	4'
L	8' 4"
M	3' 7"
M1	4' 9"
Q	1' 2"
T1	3' 5"
T2	4'
T5	3' 9"
U2	15'
U5	15' 7"

* EW-Undercarriage
E = Tail radius
Tires 10.00-20

	Stick	Two-piece boom 16'7"		Mono boom 16'5"	
		Rear blade	Rear outriggers + front blade	Rear blade	Rear outriggers + front blade
	ft in	ft in	ft in	ft in	ft in
V	7'5"	19' 6"	18'10"	18' 8"	18'3"
	8'	19' 2"	18' 6"	17'11"	18'8"
W	7'5"	17'11"	18'10"	16' 5"	17'7"
	8'	10'	10'	10' 8"	10'8"
X	7'5"	10' 2"	10' 2"	10' 8"	10'8"
	8'8"	10' 2"	10' 2"	10' 4"	10'4"
X	7'5"	27' 1"	26' 7"	26'11"	26'5"
	8'	27' 1"	26' 7"	26'11"	27'9"
		8'8"	27' 1"	27'11"	26' 7"

	Stick	Offset two-piece boom 16'5"		Offset mono boom 16'1"	
		Rear blade	Rear outriggers + front blade	Rear blade	Rear outriggers + front blade
	ft in	ft in	ft in	ft in	ft in
V	7'5"	21'	20'6"	19' 6"	19'
	8'	19' 2"	18'8"	17'11"	18'10"
W	7'5"	10' 8"	10'8"	10'10"	10'10"
	8'	10' 6"	10'6"	10' 4"	10' 4"
X	7'5"	10'10"	10'10"	10'10"	10'10"
	8'	26' 9"	26'3"	26' 5"	25'11"
		8'8"	26'11"	26' 7"	27' 5"
		8'8"	—	26' 3"	27' 5"

Dimensions are with attachment over steering axle
* Attachment over digging axle for shorter transport dimensions
W = Max. ground clearance including approx. 6" piping

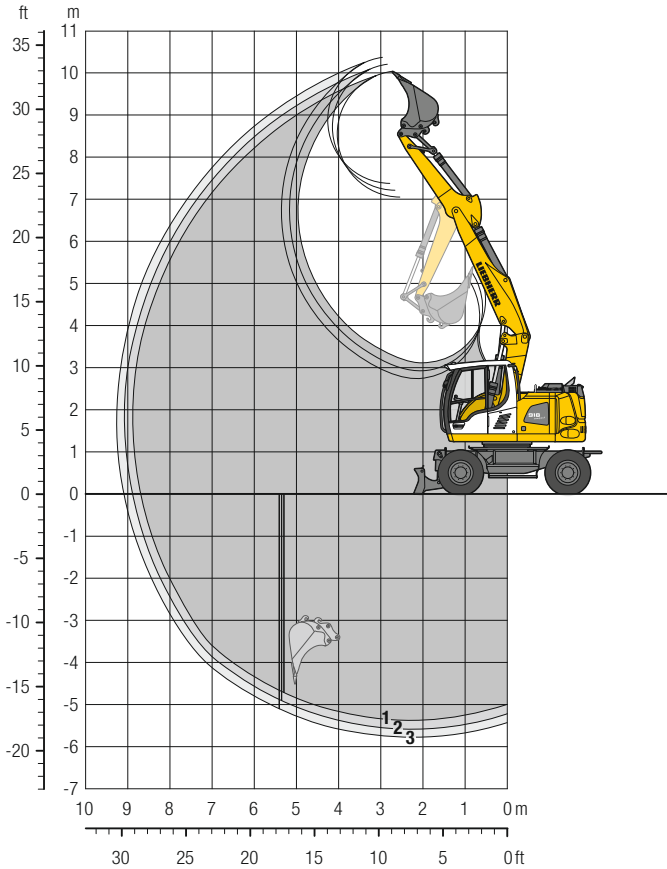


Boom	Stick	G	R	E	E1/E1*
	m	mm	mm	mm	mm
Two-piece boom	7'5"	24'2"	8'	6'1"	1'11"/1'7"
Two-piece boom	8'	24'2"	8'3"	6'1"	1'11"/1'7"
Two-piece boom	8'8"	24'2"	8'5"	6'1"	1'11"/1'7"

* EW-Undercarriage

Backhoe Bucket

with Two-Piece Boom 16'7"



Digging Envelope

with quick coupler		1	2	3
Stick length	ft in	7'5"	8'	8' 8"
Max. digging depth	ft in	17'9"	18'4"	19'
Max. reach at ground level	ft in	28'7"	29'2"	29'10"
Max. dumping height	ft in	23'2"	23'7"	24' 3"
Max. teeth height	ft in	33'	33'6"	34' 1"
Min. equipment radius	ft in	8'	8'3"	8' 6"

Digging Forces

without quick coupler		1	2	3
Max. digging force (ISO 6015)	lbf	18,210	17,085	16,096
	lb	18,300	17,000	16,100
Max. breakout force (ISO 6015)	lbf	22,121	22,121	22,121
	lb	22,000	22,000	22,000

Max. breakout force with ripper bucket 28,259 lbf (28,200 lb)

Operating Weight

The operating weight includes the basic machine with 8 tires plus intermediate rings, two-piece boom 16'7", stick 8', quick coupler SWA 33 and bucket 33.5" / 0.78 yd³.

Undercarriage versions	Weight (lb)
A 918 Compact Litronic with rear blade	39,000
A 918 Compact Litronic with rear outriggers + front blade	41,000
A 918 Compact EW Litronic with rear blade	39,200
A 918 Compact EW Litronic with rear outriggers + front blade	41,200

Buckets Machine stability per ISO 10567* (75% of tipping capacity)

Cutting width in	Capacity ISO 7451 ¹⁾ yd ³	Weight lb	Stabilizers raised			Rear blade down			Rear outriggers + front blade down			EW Stabilizers raised			EW Rear blade down			EW Rear outriggers + front blade down		
			Stick length (ft in)			Stick length (ft in)			Stick length (ft in)			Stick length (ft in)			Stick length (ft in)			Stick length (ft in)		
			7'5"	8'	8'8"	7'5"	8'	8'8"	7'5"	8'	8'8"	7'5"	8'	8'8"	7'5"	8'	8'8"	7'5"	8'	8'8"
19.7" ²⁾	0.39	639	■	■	■	■	■	■	■	■	■	■	■	■	■	■	■	■	■	■
25.6" ²⁾	0.55	772	■	■	■	■	■	■	■	■	■	■	■	■	■	■	■	■	■	■
33.5" ²⁾	0.78	882	■	■	■	■	■	■	■	■	■	■	■	■	■	■	■	■	■	■
41.3" ²⁾	1.05	1,058	■	■	■	■	■	■	■	■	■	■	■	■	■	■	■	■	■	■
49.2" ²⁾	1.24	1,168	△	△	△	■	■	■	■	■	■	■	■	■	■	■	■	■	■	■
19.7" ³⁾	0.39	683	■	■	■	■	■	■	■	■	■	■	■	■	■	■	■	■	■	■
25.6" ³⁾	0.55	794	■	■	■	■	■	■	■	■	■	■	■	■	■	■	■	■	■	■
33.5" ³⁾	0.78	926	■	■	■	■	■	■	■	■	■	■	■	■	■	■	■	■	■	■
41.3" ³⁾	1.05	1,102	■	■	■	■	■	■	■	■	■	■	■	■	■	■	■	■	■	■
49.2" ³⁾	1.24	1,213	△	△	△	■	■	△	■	■	■	■	■	△	■	■	■	■	■	■
19.7" ⁴⁾	0.42	617	■	■	■	■	■	■	■	■	■	■	■	■	■	■	■	■	■	■
25.6" ⁴⁾	0.59	728	■	■	■	■	■	■	■	■	■	■	■	■	■	■	■	■	■	■
33.5" ⁴⁾	0.85	838	■	■	■	■	■	■	■	■	■	■	■	■	■	■	■	■	■	■
41.3" ⁴⁾	1.11	1,014	■	■	■	■	■	■	■	■	■	■	■	■	■	■	■	■	■	■
49.2" ⁴⁾	1.37	1,102	△	△	-	■	△	△	■	■	■	■	△	△	■	■	■	■	■	■

* Indicated loads are based on ISO 10567 and do not exceed 75% of tipping or 87% of hydraulic capacity, max. stick length without quick coupler, lifted 360° on firm with blocked oscillating axle

¹⁾ comparable with SAE (heaped)

²⁾ Bucket with teeth ³⁾ Bucket with teeth in HD-version ⁴⁾ Bucket with cutting edge (also available in HD-version)

Buckets with 19.7" cutting width with limited digging depth

Max. material weight ■ = ≤ 3,034 lb/yd³, ■ = ≤ 2,528 lb/yd³, △ = ≤ 2,023 lb/yd³, - = not authorized

Lift Capacities

with Two-Piece Boom 16'7"

Stick 7'5"

ft	Undercarriage stabilized		10 ft		15 ft		20 ft		25 ft		ft in
	rear	front	Blade	Outriggers	Blade	Outriggers	Blade	Outriggers	Blade	Outriggers	
25	—	—			6,4*	6,4*			5,5*	5,5*	15' 5"
	Blade	—			6,4*	6,4*			5,5*	5,5*	
20	—	—			9,5	10,2*	5,6*	5,6*	4,8*	4,8*	20' 4"
	Blade	—			10,2*	10,2*	5,6*	5,6*	4,8*	4,8*	
15	—	—	13,3*	13,3*	9,4	12,2*	5,9	5,6	4,4	4,6*	23' 1"
	Blade	—	13,3*	13,3*	10,3	12,2*	6,5	10,2*	4,6*	4,6*	
10	—	—	16,1	21,6*	9,1	14,2*	5,8	9,5	3,8	4,7*	24' 6"
	Blade	—	17,8	21,6*	10,0	14,2*	6,4	11,1*	4,3	4,7*	
5	—	—	15,7	23,5*	9,0	14,0	5,6	9,2	3,6	5,0*	24'11"
	Blade	—	17,4	23,5*	9,9	15,8*	6,2	11,7*	4,1	5,0*	
0	—	—	15,5	25,1*	8,6	14,1	5,2	8,9	3,6	5,7*	24' 2"
	Blade	—	17,5	25,1*	9,6	16,1*	5,9	11,8*	4,1	5,7*	
-5	—	—	14,6	25,7*	7,9	13,9	4,9	8,6	4,0	7,1*	22' 5"
	Blade	—	16,6	25,7*	8,9	16,4*	5,5	11,4*	4,6	7,1*	
-10	—	—	14,0	25,5*	7,4	13,3			5,1	7,3*	19' 1"
	Blade	—	16,0	25,5*	8,4	14,4*			5,8	7,3*	
-15	—	—									
	Blade	—									

Stick 8'

ft	Undercarriage stabilized		10 ft		15 ft		20 ft		25 ft		ft in
	rear	front	Blade	Outriggers	Blade	Outriggers	Blade	Outriggers	Blade	Outriggers	
25	—	—			7,2*	7,2*			5,0*	5,0*	16' 6"
	Blade	—			7,2*	7,2*			5,0*	5,0*	
20	—	—			9,5	9,5*	5,8	6,6*	4,3*	4,3*	21' 1"
	Blade	—			9,5*	9,5*	6,4	6,6*	4,3*	4,3*	
15	—	—	11,3*	11,3*	9,4	11,6*	5,9	9,5	4,1	4,2*	23'10"
	Blade	—	11,3*	11,3*	10,3	11,6*	6,5	9,8*	4,2*	4,2*	
10	—	—	16,1	20,7*	9,1	13,8*	5,9	9,4	3,7	4,9*	25' 2"
	Blade	—	17,8	20,7*	10,0	13,8*	6,5	10,8*	4,1	4,9*	
5	—	—	15,6	23,4*	8,9	13,9	5,6	9,3	3,6	6,2	25' 6"
	Blade	—	17,3	23,4*	9,8	15,5*	6,3	11,5*	4,0	6,5*	
0	—	—	15,5	24,9*	8,6	14,0	5,3	8,9	3,4	5,1*	24'11"
	Blade	—	17,4	24,9*	9,6	16,0*	5,9	11,7*	3,9	5,1*	
-5	—	—	14,6	25,4*	8,0	13,9	4,9	8,6	3,8	6,3*	23' 1"
	Blade	—	16,6	25,4*	9,0	16,2*	5,5	11,6*	4,3	6,3*	
-10	—	—	14,1	26,1*	7,4	13,3			4,7	7,3*	19'11"
	Blade	—	16,1	26,1*	8,3	15,2*			5,4	7,3*	
-15	—	—									
	Blade	—									

Stick 8'8"

ft	Undercarriage stabilized		10 ft		15 ft		20 ft		25 ft		ft in
	rear	front	Blade	Outriggers	Blade	Outriggers	Blade	Outriggers	Blade	Outriggers	
25	—	—			7,5*	7,5*			4,5*	4,5*	17' 6"
	Blade	—			7,5*	7,5*			4,5*	4,5*	
20	—	—			8,8*	8,8*	5,9	6,9*	4,0*	4,0*	21'11"
	Blade	—			8,8*	8,8*	6,5	6,9*	4,0*	4,0*	
15	—	—			9,4	10,5*	6,0	9,3*	3,8*	3,8*	24' 6"
	Blade	—			10,3	10,5*	6,6	9,3*	3,8*	3,8*	
10	—	—	16,1	19,8*	9,1	13,4*	5,9	9,4	3,4	3,9*	25'10"
	Blade	—	17,8	19,8*	9,9	13,4*	6,5	10,6*	4,2	6,1*	
5	—	—	15,6	23,2*	8,9	13,8	5,7	9,3	3,6	6,2	26' 2"
	Blade	—	17,3	23,2*	9,7	15,3*	6,3	11,3*	4,1	7,6*	
0	—	—	15,6	24,6*	8,6	13,9	5,3	9,0	3,4	6,1	25' 6"
	Blade	—	17,3	24,6*	9,6	15,9*	5,9	11,6*	3,9	6,7*	
-5	—	—	14,6	25,2*	8,1	14,0	4,9	8,6	3,6	5,6*	23'10"
	Blade	—	16,6	25,2*	9,1	16,1*	5,5	11,7*	4,1	5,6*	
-10	—	—	14,2	26,3*	7,4	13,3	4,6	8,4	4,4	7,2*	20' 8"
	Blade	—	16,2	26,3*	8,3	15,8*	5,3	8,4*	5,0	7,2*	
-15	—	—									
	Blade	—							14,2	16,3*	9' 8"

Height **Can be slewed through 360°** **In longitudinal position of undercarriage** **Max. reach** * Limited by hydr. capacity

The lift capacities on the load lift hook of the Liebherr quick coupler SWA 33 without attachment are stated in lb x 1,000 and are valid on a firm, level supporting surface with blocked oscillating axle. These capacities can be slewed through 360° with the undercarriage in the transverse position. Capacities in the longitudinal position of the undercarriage (+/- 15°) are specified over the steering axle with the stabilizers raised and over the rigid axle with the stabilizers down. The values apply when the adjusting cylinder is in the optimal position. Indicated loads based on the ISO 10567 standard and do not exceed 75% of tipping or 87% of hydraulic capacity, or are limited by the permissible load of the load lift hook on the quick coupler (max. 11,000 lb). Without the quick coupler, lift capacities will increase by up to 240 lb.

Lift Capacities

with Two-Piece Boom 16'7", EW-Undercarriage

Stick 7'5"

ft	Undercarriage stabilized		10 ft		15 ft		20 ft		25 ft		ft in
	rear	front	rear	front	rear	front	rear	front	rear	front	
25	Blade	—	—	—	6,4*	6,4*	—	—	5,5*	5,5*	15' 5"
	Outriggers	Blade	—	—	6,4*	6,4*	—	—	5,5*	5,5*	
20	Blade	—	—	—	10,2*	10,2*	5,6*	5,6*	4,8*	4,8*	20' 4"
	Outriggers	Blade	—	—	10,2*	10,2*	5,6*	5,6*	4,8*	4,8*	
15	Blade	—	13,3*	13,3*	10,2	12,2*	6,5	9,6	4,6*	4,6*	23' 1"
	Outriggers	Blade	13,3*	13,3*	11,2	12,2*	7,2	10,2*	4,6*	4,6*	
10	Blade	—	17,8	21,6*	10,0	14,2*	6,4	9,5	4,3	4,7*	24' 6"
	Outriggers	Blade	19,7	21,6*	10,9	14,2*	7,1	11,1*	4,7*	4,7*	
5	Blade	—	17,4	23,5*	9,8	14,1	6,2	9,3	4,0	5,0*	24'11"
	Outriggers	Blade	19,3	23,5*	10,8	15,8*	6,9	11,7*	4,6	5,0*	
0	Blade	—	17,5	25,1*	9,5	14,2	5,8	9,0	4,1	5,7*	24' 2"
	Outriggers	Blade	19,5	25,1*	10,7	16,1*	6,6	11,8*	4,6	5,7*	
-5	Blade	—	16,6	25,7*	8,9	14,0	5,5	8,7	4,6	7,1*	22' 5"
	Outriggers	Blade	18,9	25,7*	10,0	16,4*	6,2	11,4*	5,2	7,1*	
-10	Blade	—	16,0	25,5*	8,3	13,4	—	—	5,8	7,3*	19' 1"
	Outriggers	Blade	18,3	25,5*	9,4	14,4*	—	—	6,5	7,3*	
-15	Blade	—	—	—	—	—	—	—	—	—	—
	Outriggers	Blade	—	—	—	—	—	—	—	—	

Stick 8'

ft	Undercarriage stabilized		10 ft		15 ft		20 ft		25 ft		ft in
	rear	front	rear	front	rear	front	rear	front	rear	front	
25	Blade	—	—	—	7,2*	7,2*	—	—	5,0*	5,0*	16' 6"
	Outriggers	Blade	—	—	7,2*	7,2*	—	—	5,0*	5,0*	
20	Blade	—	—	—	9,5*	9,5*	6,4	6,6*	4,3*	4,3*	21' 1"
	Outriggers	Blade	—	—	9,5*	9,5*	6,6*	6,6*	4,3*	4,3*	
15	Blade	—	11,3*	11,3*	10,2	11,6*	6,5	9,6	4,2*	4,2*	23'10"
	Outriggers	Blade	11,3*	11,3*	11,2	11,6*	7,2	9,8*	4,2*	4,2*	
10	Blade	—	17,8	20,7*	9,9	13,8*	6,5	9,5	4,1	4,9*	25' 2"
	Outriggers	Blade	19,7	20,7*	10,9	13,8*	7,2	10,8*	4,7	4,9*	
5	Blade	—	17,3	23,4*	9,8	14,0	6,2	9,4	4,0	6,3	25' 6"
	Outriggers	Blade	19,2	23,4*	10,7	15,5*	6,9	11,5*	4,5	6,5*	
0	Blade	—	17,4	24,9*	9,6	14,1	5,9	9,0	3,9	5,1*	24'11"
	Outriggers	Blade	19,3	24,9*	10,7	16,0*	6,6	11,7*	4,4	5,1*	
-5	Blade	—	16,6	25,5*	9,0	14,1	5,5	8,7	4,3	6,3*	23' 1"
	Outriggers	Blade	18,9	25,5*	10,1	16,2*	6,2	11,6*	4,9	6,3*	
-10	Blade	—	16,1	26,1*	8,3	13,4	—	—	5,4	7,3*	19'11"
	Outriggers	Blade	18,4	26,1*	9,4	15,2*	—	—	6,1	7,3*	
-15	Blade	—	—	—	—	—	—	—	—	—	—
	Outriggers	Blade	—	—	—	—	—	—	—	—	

Stick 8'8"

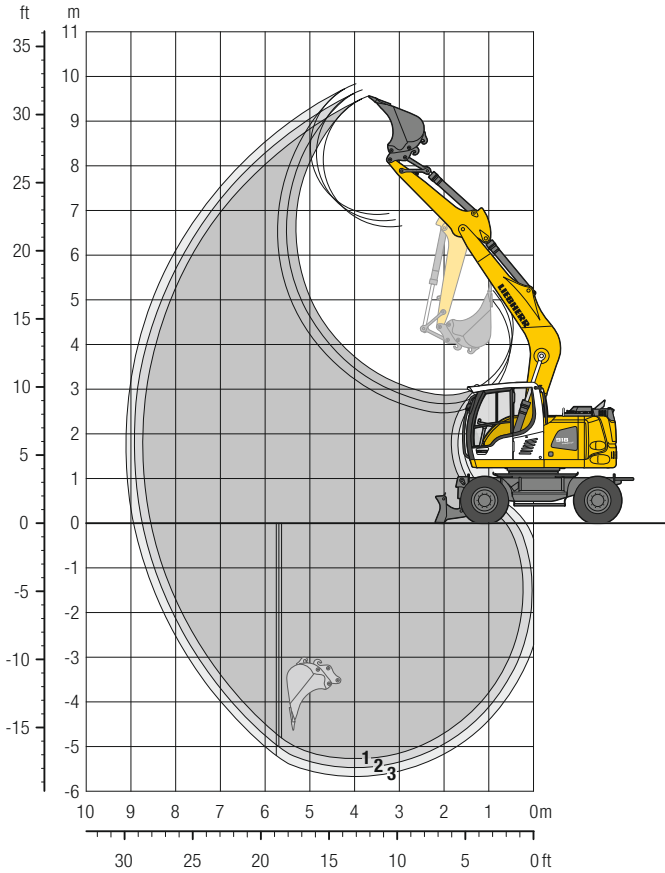
ft	Undercarriage stabilized		10 ft		15 ft		20 ft		25 ft		ft in
	rear	front	rear	front	rear	front	rear	front	rear	front	
25	Blade	—	—	—	7,5*	7,5*	—	—	4,5*	4,5*	17' 6"
	Outriggers	Blade	—	—	7,5*	7,5*	—	—	4,5*	4,5*	
20	Blade	—	—	—	8,8*	8,8*	6,5	6,9*	4,0*	4,0*	21'11"
	Outriggers	Blade	—	—	8,8*	8,8*	6,9*	6,9*	4,0*	4,0*	
15	Blade	—	—	—	10,2	10,5*	6,6	9,3*	3,8*	3,8*	24' 6"
	Outriggers	Blade	—	—	10,5*	10,5*	9,3*	9,3*	3,8*	3,8*	
10	Blade	—	17,8	19,8*	9,9	13,4*	6,5	9,4	4,2	6,1*	25'10"
	Outriggers	Blade	19,8*	19,8*	10,9	13,4*	7,2	10,6*	4,7	6,1*	
5	Blade	—	17,2	23,2*	9,7	14,0	6,3	9,4	4,0	6,3	26' 2"
	Outriggers	Blade	19,2	23,2*	10,7	15,3*	7,0	11,3*	4,6	7,6*	
0	Blade	—	17,3	24,6*	9,6	14,0	5,9	9,1	3,9	6,1	25' 6"
	Outriggers	Blade	19,2	24,6*	10,7	15,9*	6,6	11,6*	4,4	6,7*	
-5	Blade	—	16,6	25,3*	9,0	14,1	5,5	8,7	4,1	5,6*	23'10"
	Outriggers	Blade	18,9	25,3*	10,2	16,1*	6,2	11,7*	4,6	5,6*	
-10	Blade	—	16,2	26,3*	8,3	13,4	5,3	8,4*	5,0	7,2*	20' 8"
	Outriggers	Blade	18,5	26,3*	9,4	15,8*	6,0	8,4*	5,7	7,2*	
-15	Blade	—	—	—	—	—	—	—	16,3	16,3*	9' 8"
	Outriggers	Blade	—	—	—	—	—	—	16,3*	16,3*	

Height Can be slewed through 360° In longitudinal position of undercarriage Max. reach * Limited by hydr. capacity

The lift capacities on the load lift hook of the Liebherr quick coupler SWA 33 without attachment are stated in lb x 1,000 and are valid on a firm, level supporting surface with blocked oscillating axle. These capacities can be slewed through 360° with the undercarriage in the transverse position. Capacities in the longitudinal position of the undercarriage (+/- 15°) are specified over the steering axle with the stabilizers raised and over the rigid axle with the stabilizers down. The values apply when the adjusting cylinder is in the optimal position. Indicated loads based on the ISO 10567 standard and do not exceed 75% of tipping or 87% of hydraulic capacity, or are limited by the permissible load of the load lift hook on the quick coupler (max. 11,000 lb). Without the quick coupler, lift capacities will increase by up to 240 lb.

Backhoe Bucket

with Mono Boom 16'5"



Digging Envelope

with quick coupler		1	2	3
Stick length	ft in	7' 5"	8'	8' 8"
Max. digging depth	ft in	17' 5"	18' 1"	18' 8"
Max. reach at ground level	ft in	28' 1"	28' 8"	29' 4"
Max. dumping height	ft in	21'10"	22' 4"	22'10"
Max. teeth height	ft in	31' 4"	31'10"	32' 4"
Min. equipment radius	ft in	7' 9"	7'10"	8'

Digging Forces

without quick coupler		1	2	3
Max. digging force (ISO 6015)	lbf	18,210	17,085	16,096
Max. breakout force (ISO 6015)	lbf	22,121	22,121	22,121
	lb	22,000	22,000	22,000

Max. breakout force with ripper bucket 28,259 lbf (28,200 lb)

Operating Weight

The operating weight includes the basic machine with 8 tires plus intermediate rings, mono boom 16'5", stick 8', quick coupler SWA 33 and bucket 33.5" / 0.78 yd³.

Undercarriage versions	Weight (lb)
A 918 Compact Litronic ² with rear blade	38,400
A 918 Compact Litronic ² with rear outriggers + front blade	40,300
A 918 Compact EW Litronic ³ with rear blade	38,600
A 918 Compact EW Litronic ³ with rear outriggers + front blade	40,600

Buckets Machine stability per ISO 10567* (75% of tipping capacity)

Cutting width in	Capacity ISO 7451 ¹⁾ yd ³	Weight lb	Stabilizers raised			Rear blade down			Rear outriggers + front blade down			EW Stabilizers raised			EW Rear blade down			EW Rear outriggers + front blade down		
			Stick length (ft in)			Stick length (ft in)			Stick length (ft in)			Stick length (ft in)			Stick length (ft in)			Stick length (ft in)		
			7'5"	8'	8'8"	7'5"	8'	8'8"	7'5"	8'	8'8"	7'5"	8'	8'8"	7'5"	8'	8'8"	7'5"	8'	8'8"
19.7" ²⁾	0.39	639	■	■	■	■	■	■	■	■	■	■	■	■	■	■	■	■	■	■
25.6" ²⁾	0.55	772	■	■	■	■	■	■	■	■	■	■	■	■	■	■	■	■	■	■
33.5" ²⁾	0.78	882	■	■	■	■	■	■	■	■	■	■	■	■	■	■	■	■	■	■
41.3" ²⁾	1.05	1,058	■	■	■	■	■	■	■	■	■	■	■	■	■	■	■	■	■	■
49.2" ²⁾	1.24	1,168	■	△	△	■	■	■	■	■	■	■	■	■	■	■	■	■	■	■
19.7" ³⁾	0.39	683	■	■	■	■	■	■	■	■	■	■	■	■	■	■	■	■	■	■
25.6" ³⁾	0.55	794	■	■	■	■	■	■	■	■	■	■	■	■	■	■	■	■	■	■
33.5" ³⁾	0.78	926	■	■	■	■	■	■	■	■	■	■	■	■	■	■	■	■	■	■
41.3" ³⁾	1.05	1,102	■	■	■	■	■	■	■	■	■	■	■	■	■	■	■	■	■	■
49.2" ³⁾	1.24	1,213	△	△	△	■	■	■	■	■	■	■	■	■	■	■	■	■	■	■
19.7" ⁴⁾	0.42	617	■	■	■	■	■	■	■	■	■	■	■	■	■	■	■	■	■	■
25.6" ⁴⁾	0.59	728	■	■	■	■	■	■	■	■	■	■	■	■	■	■	■	■	■	■
33.5" ⁴⁾	0.85	838	■	■	■	■	■	■	■	■	■	■	■	■	■	■	■	■	■	■
41.3" ⁴⁾	1.11	1,014	■	■	■	■	■	■	■	■	■	■	■	■	■	■	■	■	■	■
49.2" ⁴⁾	1.37	1,102	△	△	△	■	■	△	■	■	■	■	△	△	■	■	■	■	■	■

* Indicated loads are based on ISO 10567 and do not exceed 75% of tipping or 87% of hydraulic capacity, max. stick length without quick coupler, lifted 360° on firm with blocked oscillating axle

¹⁾ comparable with SAE (heaped)

²⁾ Bucket with teeth ³⁾ Bucket with teeth in HD-version ⁴⁾ Bucket with cutting edge (also available in HD-version)

Buckets with 19.7" cutting width with limited digging depth

Max. material weight ■ = ≤ 3,034 lb/yd³, ■ = ≤ 2,528 lb/yd³, △ = ≤ 2,023 lb/yd³, - = not authorized

Lift Capacities

with Mono Boom 16'5"

Stick 7'5"

ft	Undercarriage stabilized		10 ft		15 ft		20 ft		25 ft		ft in	
	rear	front	Blade	Outriggers	Blade	Outriggers	Blade	Outriggers	Blade	Outriggers	Blade	Outriggers
25	Blade	—	—	—	—	—	—	—	—	—	5,3*	5,3*
	Outriggers	Blade	—	—	—	—	—	—	—	—	5,3*	5,3*
20	Blade	—	—	—	8,7*	8,7*	—	—	—	—	4,7*	4,7*
	Outriggers	Blade	—	—	8,7*	8,7*	—	—	—	—	4,7*	4,7*
15	Blade	—	—	—	9,0	9,9*	5,6	9,1*	—	—	4,6*	4,6*
	Outriggers	Blade	—	—	9,9*	9,9*	6,3	9,1*	—	—	4,6*	4,6*
10	Blade	—	14,9	18,4*	8,2	12,3*	5,3	9,1	—	—	4,0	4,8*
	Outriggers	Blade	16,9	18,4*	9,2	12,3*	6,0	10,0*	—	—	4,5	4,8*
5	Blade	—	12,9	14,5*	7,5	13,3	5,0	8,7	—	—	3,7	5,2*
	Outriggers	Blade	14,5*	14,5*	8,4	14,7*	5,6	11,0*	—	—	4,2	5,2*
0	Blade	—	12,3	16,1*	7,0	12,7	4,7	8,4	—	—	3,7	6,1*
	Outriggers	Blade	14,2	16,1*	7,9	15,9*	5,4	11,6*	—	—	4,2	6,1*
-5	Blade	—	16,1*	16,1*	13,2	15,9*	8,7	11,6*	—	—	6,1*	6,1*
	Outriggers	Blade	12,3	23,0*	6,8	12,6	4,6	8,3	—	—	4,2	7,4
-10	Blade	—	14,2	23,0*	7,8	15,6*	5,3	11,3*	—	—	4,7	8,0*
	Outriggers	Blade	23,0*	23,0*	13,0	15,6*	8,5	11,3*	—	—	7,6	8,0*
-15	Blade	—	12,6	19,2*	6,9	12,7	—	—	—	—	5,3	9,5
	Outriggers	Blade	14,5	19,2*	7,9	13,4*	—	—	—	—	6,1	10,4*

Stick 8'

ft	Undercarriage stabilized		10 ft		15 ft		20 ft		25 ft		ft in	
	rear	front	Blade	Outriggers	Blade	Outriggers	Blade	Outriggers	Blade	Outriggers	Blade	Outriggers
25	Blade	—	—	—	—	—	—	—	—	—	4,8*	4,8*
	Outriggers	Blade	—	—	—	—	—	—	—	—	4,8*	4,8*
20	Blade	—	—	—	8,2*	8,2*	5,1*	5,1*	—	—	4,3*	4,3*
	Outriggers	Blade	—	—	8,2*	8,2*	5,1*	5,1*	—	—	4,3*	4,3*
15	Blade	—	—	—	9,0	9,4*	5,7	8,7*	—	—	4,2*	4,2*
	Outriggers	Blade	—	—	9,4*	9,4*	6,3	8,7*	—	—	4,2*	4,2*
10	Blade	—	15,2	17,3*	8,3	11,8*	5,3	9,1	—	—	3,8	4,3*
	Outriggers	Blade	17,2	17,3*	9,3	11,8*	6,0	9,7*	—	—	4,3	4,3*
5	Blade	—	13,0	16,7*	7,5	13,3	5,0	8,7	—	—	3,5	4,7*
	Outriggers	Blade	14,9	16,7*	8,4	14,3*	5,6	10,8*	—	—	4,0	4,7*
0	Blade	—	12,2	16,2*	6,9	12,7	4,7	8,3	—	—	3,6	5,5*
	Outriggers	Blade	14,1	16,2*	7,9	15,7*	5,3	11,5*	—	—	4,0	5,5*
-5	Blade	—	16,2*	16,2*	13,1	15,7*	8,6	11,5*	—	—	5,5*	5,5*
	Outriggers	Blade	12,2	22,1*	6,7	12,5	4,6	8,2	—	—	3,9	7,0*
-10	Blade	—	14,1	22,1*	7,7	15,6*	5,2	11,3*	—	—	4,5	7,0*
	Outriggers	Blade	22,1*	22,1*	12,9	15,6*	8,5	11,3*	—	—	7,0*	7,0*
-15	Blade	—	12,4	19,8*	6,8	12,6	—	—	—	—	4,9	8,9
	Outriggers	Blade	14,4	19,8*	7,8	13,7*	—	—	—	—	5,6	10,1*

Stick 8'8"

ft	Undercarriage stabilized		10 ft		15 ft		20 ft		25 ft		ft in	
	rear	front	Blade	Outriggers	Blade	Outriggers	Blade	Outriggers	Blade	Outriggers	Blade	Outriggers
25	Blade	—	—	—	6,3*	6,3*	—	—	—	—	4,4*	4,4*
	Outriggers	Blade	—	—	6,3*	6,3*	—	—	—	—	4,4*	4,4*
20	Blade	—	—	—	7,7*	7,7*	5,8*	5,8*	—	—	3,9*	3,9*
	Outriggers	Blade	—	—	7,7*	7,7*	5,8*	5,8*	—	—	3,9*	3,9*
15	Blade	—	—	—	8,9*	8,9*	5,7	8,4*	—	—	3,8*	3,8*
	Outriggers	Blade	—	—	8,9*	8,9*	6,3	8,4*	—	—	3,8*	3,8*
10	Blade	—	15,4	16,2*	8,3	11,3*	5,3	9,1	3,7	4,6*	3,6	3,9*
	Outriggers	Blade	16,2*	16,2*	9,3	11,3*	6,0	9,4*	4,1	4,6*	3,9*	3,9*
5	Blade	—	13,1	19,2*	7,5	13,3	4,9	8,6	3,5	6,0*	3,4	4,2*
	Outriggers	Blade	15,0	19,2*	8,4	13,9*	5,6	10,6*	4,0	6,0*	3,8	4,2*
0	Blade	—	12,2	16,4*	6,9	12,7	4,6	8,3	—	—	3,4	4,9*
	Outriggers	Blade	14,1	16,4*	7,8	15,5*	5,3	11,4*	—	—	3,8	4,9*
-5	Blade	—	16,4*	16,4*	13,1	15,5*	8,6	11,4*	—	—	4,9*	4,9*
	Outriggers	Blade	12,0	21,3*	6,7	12,4	4,5	8,1	—	—	3,7	6,2*
-10	Blade	—	13,9	21,3*	7,6	15,6*	5,1	11,4*	—	—	4,2	6,2*
	Outriggers	Blade	21,3*	21,3*	12,8	15,6*	8,4	11,4*	—	—	6,2*	6,2*
-15	Blade	—	12,3	20,4*	6,7	12,5	—	—	—	—	4,6	8,3
	Outriggers	Blade	14,2	20,4*	7,7	14,0*	—	—	—	—	5,2	9,2*

Height Can be slewed through 360° In longitudinal position of undercarriage Max. reach * Limited by hydr. capacity

The lift capacities on the load lift hook of the Liebherr quick coupler SWA 33 without attachment are stated in lb x 1,000 and are valid on a firm, level supporting surface with blocked oscillating axle. These capacities can be slewed through 360° with the undercarriage in the transverse position. Capacities in the longitudinal position of the undercarriage (+/- 15°) are specified over the steering axle with the stabilizers raised and over the rigid axle with the stabilizers down. Indicated loads based on the ISO 10567 standard and do not exceed 75% of tipping or 87% of hydraulic capacity, or are limited by the permissible load of the load lift hook on the quick coupler (max. 11,000 lb). Without the quick coupler, lift capacities will increase by up to 240 lb.

Lift Capacities

with Mono Boom 16'5", EW-Undercarriage

Stick 7'5"

ft	Undercarriage stabilized		10 ft		15 ft		20 ft		25 ft		ft in	
	rear	front										
25	—	—									5,3*	5,3*
	Blade	—									5,3*	5,3*
	Outriggers	Blade									5,3*	5,3*
20	—	—			8,7*	8,7*					4,7*	4,7*
	Blade	—			8,7*	8,7*					4,7*	4,7*
	Outriggers	Blade			8,7*	8,7*					4,7*	4,7*
15	—	—			9,9*	9,9*	6,3	9,1*			4,6*	4,6*
	Blade	—			9,9*	9,9*	7,0	9,1*			4,6*	4,6*
	Outriggers	Blade			9,9*	9,9*	9,1*	9,1*			4,6*	4,6*
10	—	—	16,9	18,4*	9,2	12,3*	6,0	9,1			4,4	4,8*
	Blade	—	18,4*	18,4*	10,3	12,3*	6,7	10,0*			4,8*	4,8*
	Outriggers	Blade	18,4*	18,4*	12,3*	12,3*	9,8	10,0*			4,8*	4,8*
5	—	—	14,5*	14,5*	8,4	13,4	5,6	8,8			4,2	5,2*
	Blade	—	14,5*	14,5*	9,5	14,7*	6,3	11,0*			4,7	5,2*
	Outriggers	Blade	14,5*	14,5*	14,5	14,7*	9,4	11,0*			5,2*	5,2*
0	—	—	14,2	16,1*	7,9	12,9	5,3	8,5			4,2	6,1*
	Blade	—	16,1*	16,1*	9,0	15,9*	6,0	11,6*			4,8	6,1*
	Outriggers	Blade	16,1*	16,1*	14,0	15,9*	9,1	11,6*			6,1*	6,1*
-5	—	—	14,2	23,0*	7,7	12,7	5,2	8,4			4,7	7,5
	Blade	—	16,4	23,0*	8,8	15,6*	5,9	11,3*			5,3	8,0*
	Outriggers	Blade	23,0*	23,0*	13,8	15,6*	9,0	11,3*			8,0*	8,0*
-10	—	—	14,5	19,2*	7,9	12,8					6,0	9,6
	Blade	—	16,8	19,2*	8,9	13,4*					6,8	10,4*
	Outriggers	Blade	19,2*	19,2*	13,4*	13,4*					10,4*	10,4*
-15	—	—										
	Blade	—										
	Outriggers	Blade										

Stick 8'

ft	Undercarriage stabilized		10 ft		15 ft		20 ft		25 ft		ft in	
	rear	front										
25	—	—									4,8*	4,8*
	Blade	—									4,8*	4,8*
	Outriggers	Blade									4,8*	4,8*
20	—	—			8,2*	8,2*	5,1*	5,1*			4,3*	4,3*
	Blade	—			8,2*	8,2*	5,1*	5,1*			4,3*	4,3*
	Outriggers	Blade			8,2*	8,2*	5,1*	5,1*			4,3*	4,3*
15	—	—			9,4*	9,4*	6,3	8,7*			4,2*	4,2*
	Blade	—			9,4*	9,4*	7,0	8,7*			4,2*	4,2*
	Outriggers	Blade			9,4*	9,4*	8,7*	8,7*			4,2*	4,2*
10	—	—	17,2	17,3*	9,2	11,8*	6,0	9,2			4,2	4,3*
	Blade	—	17,3*	17,3*	10,3	11,8*	6,7	9,7*			4,3*	4,3*
	Outriggers	Blade	17,3*	17,3*	11,8*	11,8*	9,7*	9,7*			4,3*	4,3*
5	—	—	14,9	16,7*	8,4	13,5	5,6	8,7			4,0	4,7*
	Blade	—	16,7*	16,7*	9,5	14,3*	6,3	10,8*			4,5	4,7*
	Outriggers	Blade	16,7*	16,7*	14,3*	14,3*	9,4	10,8*			4,7*	4,7*
0	—	—	14,1	16,2*	7,9	12,8	5,3	8,4			4,0	5,5*
	Blade	—	16,2*	16,2*	8,9	15,7*	6,0	11,5*			4,6	5,5*
	Outriggers	Blade	16,2*	16,2*	13,9	15,7*	9,1	11,5*			5,5*	5,5*
-5	—	—	14,0	22,1*	7,7	12,6	5,2	8,3			4,4	7,0*
	Blade	—	16,3	22,1*	8,7	15,6*	5,9	11,3*			5,0	7,0*
	Outriggers	Blade	22,1*	22,1*	13,7	15,6*	9,0	11,3*			7,0*	7,0*
-10	—	—	14,3	19,8*	7,7	12,7					5,6	8,9
	Blade	—	16,6	19,8*	8,8	13,7*					6,3	10,1*
	Outriggers	Blade	19,8*	19,8*	13,7*	13,7*					9,7	10,1*
-15	—	—										
	Blade	—										
	Outriggers	Blade										

Stick 8'8"

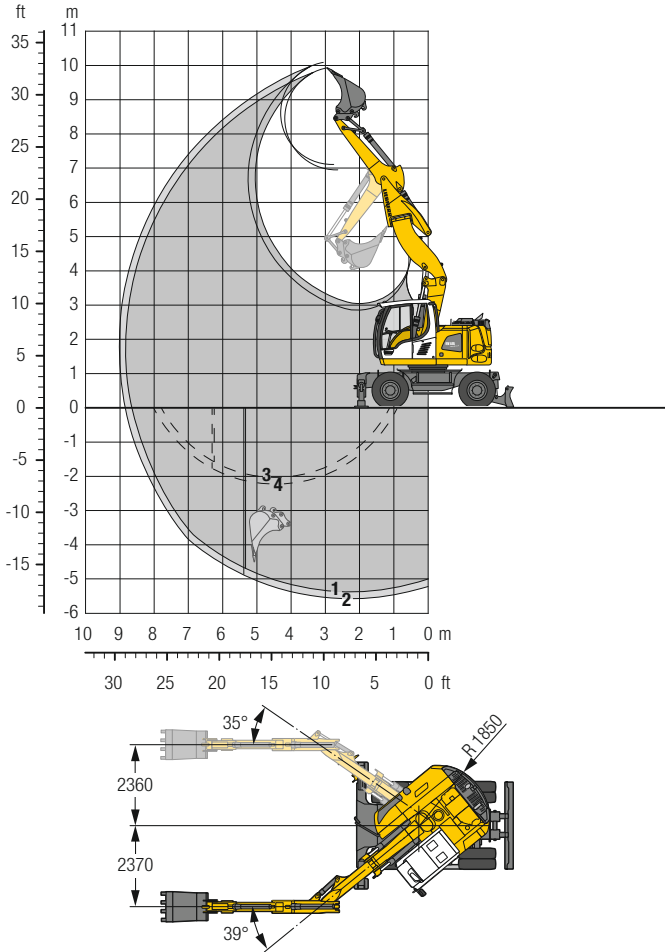
ft	Undercarriage stabilized		10 ft		15 ft		20 ft		25 ft		ft in	
	rear	front										
25	—	—			6,3*	6,3*					4,4*	4,4*
	Blade	—			6,3*	6,3*					4,4*	4,4*
	Outriggers	Blade			6,3*	6,3*					4,4*	4,4*
20	—	—			7,7*	7,7*	5,8*	5,8*			3,9*	3,9*
	Blade	—			7,7*	7,7*	5,8*	5,8*			3,9*	3,9*
	Outriggers	Blade			7,7*	7,7*	5,8*	5,8*			3,9*	3,9*
15	—	—			8,9*	8,9*	6,3	8,4*			3,8*	3,8*
	Blade	—			8,9*	8,9*	7,0	8,4*			3,8*	3,8*
	Outriggers	Blade			8,9*	8,9*	8,4*	8,4*			3,8*	3,8*
10	—	—	16,2*	16,2*	9,3	11,3*	6,0	9,2	4,1	4,6*	3,9*	3,9*
	Blade	—	16,2*	16,2*	10,4	11,3*	6,7	9,4*	4,6*	4,6*	3,9*	3,9*
	Outriggers	Blade	16,2*	16,2*	11,3*	11,3*	9,4*	9,4*	4,6*	4,6*	3,9*	3,9*
5	—	—	15,0	19,2*	8,4	13,5	5,6	8,7	3,9	6,0*	3,8	4,2*
	Blade	—	17,3	19,2*	9,5	13,9*	6,3	10,6*	4,5	6,0*	4,2*	4,2*
	Outriggers	Blade	19,2*	19,2*	13,9*	13,9*	9,4	10,6*	6,0*	6,0*	4,2*	4,2*
0	—	—	14,0	16,4*	7,8	12,8	5,2	8,4			3,8	4,9*
	Blade	—	16,3	16,4*	8,9	15,5*	5,9	11,4*			4,3	4,9*
	Outriggers	Blade	16,4*	16,4*	13,9	15,5*	9,1	11,4*			4,9*	4,9*
-5	—	—	13,9	21,3*	7,6	12,5	5,1	8,2			4,2	6,2*
	Blade	—	16,1	21,3*	8,6	15,6*	5,8	11,4*			4,8	6,2*
	Outriggers	Blade	21,3*	21,3*	13,6	15,6*	8,9	11,4*			6,2*	6,2*
-10	—	—	14,1	20,4*	7,6	12,6					5,2	8,3
	Blade	—	16,4	20,4*	8,7	14,0*					5,9	9,2*
	Outriggers	Blade	20,4*	20,4*	13,7	14,0*					9,0	9,2*
-15	—	—										
	Blade	—										
	Outriggers	Blade										

Height Can be slewed through 360° In longitudinal position of undercarriage Max. reach * Limited by hydr. capacity

The lift capacities on the load lift hook of the Liebherr quick coupler SWA 33 without attachment are stated in lb x 1,000 and are valid on a firm, level supporting surface with blocked oscillating axle. These capacities can be slewed through 360° with the undercarriage in the transverse position. Capacities in the longitudinal position of the undercarriage (+/- 15°) are specified over the steering axle with the stabilizers raised and over the rigid axle with the stabilizers down. Indicated loads based on the ISO 10567 standard and do not exceed 75 % of tipping or 87 % of hydraulic capacity, or are limited by the permissible load of the load lift hook on the quick coupler (max. 11,000 lb). Without the quick coupler, lift capacities will increase by up to 240 lb.

Backhoe Bucket

with Offset Two-Piece Boom 16'5"



Digging Envelope

with quick coupler		1	2
Stick length	ft in	7' 5"	8'
Max. digging depth	ft in	17' 9"	18'4"
Max. reach at ground level	ft in	28' 5"	29'
Max. dumping height	ft in	22'10"	23'4"
Max. teeth height	ft in	32' 8"	33'2"
Min. equipment radius	ft in	7'11"	8'2"

1 with stick 7'5"

2 with stick 8'

with set straight boom

3 with stick 7'5"

4 with stick 8'

at max. equipment offset
with vertical ditch walls

Digging Forces

without quick coupler		1	2
Max. digging force (ISO 6015)	lbf	18,210	17,085
	lb	18,300	17,000
Max. breakout force (ISO 6015)	lbf	22,121	22,121
	lb	22,000	22,000

Max. breakout force with ripper bucket

28,259 lbf (28,200 lb)

Operating Weight

The operating weight includes the basic machine with 8 tires plus intermediate rings, offset two-piece boom 16'5", stick 8', quick coupler SWA 33 and bucket 33.5" / 0.78 yd³.

Undercarriage versions	Weight (lb)
A 918 Compact Litronic [®] with rear blade	40,300
A 918 Compact Litronic [®] with rear outriggers + front blade	42,300
A 918 Compact EW Litronic [®] with rear blade	40,600
A 918 Compact EW Litronic [®] with rear outriggers + front blade	42,500

Buckets Machine stability per ISO 10567* (75% of tipping capacity)

Cutting width in	Capacity ISO 7451 ¹⁾ yd ³	Weight lb	Stabilizers raised		Rear blade down		Rear outriggers + front blade down		EW Stabilizers raised		EW Rear blade down		EW Rear outriggers + front blade down	
			Stick length (ft in)		Stick length (ft in)		Stick length (ft in)		Stick length (ft in)		Stick length (ft in)		Stick length (ft in)	
			7'5"	8'	7'5"	8'	7'5"	8'	7'5"	8'	7'5"	8'	7'5"	8'
25.6 ²⁾	0.55	772	■	■	■	■	■	■	■	■	■	■	■	■
33.5 ²⁾	0.78	882	■	■	■	■	■	■	■	■	■	■	■	■
41.3 ²⁾	1.05	1,058	■	△	■	■	■	■	■	■	■	■	■	■
49.2 ²⁾	1.24	1,168	△	—	△	△	■	■	△	△	■	■	■	■
25.6 ³⁾	0.55	794	■	■	■	■	■	■	■	■	■	■	■	■
33.5 ³⁾	0.78	926	■	■	■	■	■	■	■	■	■	■	■	■
41.3 ³⁾	1.05	1,102	■	△	■	■	■	■	■	■	■	■	■	■
49.2 ³⁾	1.24	1,213	△	—	△	△	■	■	△	△	■	■	■	■
25.6 ⁴⁾	0.59	728	■	■	■	■	■	■	■	■	■	■	■	■
33.5 ⁴⁾	0.85	838	■	■	■	■	■	■	■	■	■	■	■	■
41.3 ⁴⁾	1.11	1,014	△	△	■	■	■	■	■	■	■	■	■	■
49.2 ⁴⁾	1.37	1,102	—	—	△	△	■	■	△	△	■	■	■	■

* Indicated loads are based on ISO 10567 and do not exceed 75% of tipping or 87% of hydraulic capacity, max. stick length without quick coupler, lifted 360° on firm with blocked oscillating axle

¹⁾ comparable with SAE (heaped)

²⁾ Bucket with teeth ³⁾ Bucket with teeth in HD-version ⁴⁾ Bucket with cutting edge (also available in HD-version)

Max. material weight ■ = ≤ 3,034 lb/yd³, ■ = ≤ 2,528 lb/yd³, △ = ≤ 2,023 lb/yd³, — = not authorized

Lift Capacities

with Offset Two-Piece Boom 16'5"

Stick 7'5"

ft	Undercarriage stabilized		10 ft		15 ft		20 ft		25 ft		ft in	
	rear	front	rear	front	rear	front	rear	front	rear	front	rear	front
25	Blade	—	—	—	5,5*	5,5*	—	—	—	—	5,1*	5,1*
	Outriggers	Blade	—	—	5,5*	5,5*	—	—	—	—	5,1*	5,1*
20	Blade	—	—	—	9,5	10,1*	4,7*	4,7*	—	—	4,4*	4,4*
	Outriggers	Blade	—	—	10,1*	10,1*	4,7*	4,7*	—	—	4,4*	4,4*
15	Blade	—	13,6*	13,6*	9,3	11,7*	5,6	9,3	—	—	4,1	4,2*
	Outriggers	Blade	13,6*	13,6*	10,1	11,7*	6,3	9,9*	—	—	4,2*	4,2*
10	Blade	—	15,8	20,5*	8,9	13,4*	5,6	9,2	—	—	3,5	4,3*
	Outriggers	Blade	20,5*	20,5*	13,4*	13,4*	9,4	10,5*	—	—	4,3*	4,3*
5	Blade	—	15,3	22,7*	8,8	13,5	5,3	9,0	—	—	3,2	4,7*
	Outriggers	Blade	16,9	22,7*	9,7	14,9*	5,9	11,0*	—	—	3,7	4,7*
0	Blade	—	15,2	24,0*	8,4	13,7	4,9	8,6	—	—	3,3	5,3*
	Outriggers	Blade	17,2	24,0*	9,4	15,3*	5,5	11,2*	—	—	3,8	5,3*
-5	Blade	—	14,2	24,6*	7,5	13,5	4,4	8,2	—	—	3,6	6,7*
	Outriggers	Blade	16,2	24,6*	8,5	15,7*	5,1	10,7*	—	—	4,2	6,7*
-10	Blade	—	13,4	24,7*	6,8	12,8	—	—	—	—	4,7	7,1*
	Outriggers	Blade	15,4	24,7*	7,8	13,7*	—	—	—	—	5,4	7,1*
-15	Blade	—	—	—	—	—	—	—	—	—	—	—
	Outriggers	Blade	—	—	—	—	—	—	—	—	—	—

Stick 8'

ft	Undercarriage stabilized		10 ft		15 ft		20 ft		25 ft		ft in	
	rear	front	rear	front	rear	front	rear	front	rear	front	rear	front
25	Blade	—	—	—	6,6*	6,6*	—	—	—	—	4,6*	4,6*
	Outriggers	Blade	—	—	6,6*	6,6*	—	—	—	—	4,6*	4,6*
20	Blade	—	—	—	9,4*	9,4*	5,6	5,9*	—	—	4,0*	4,0*
	Outriggers	Blade	—	—	9,4*	9,4*	5,9*	5,9*	—	—	4,0*	4,0*
15	Blade	—	—	—	9,3	11,3*	5,7	9,3	—	—	3,8*	3,8*
	Outriggers	Blade	—	—	10,2	11,3*	6,4	9,5*	—	—	3,8*	3,8*
10	Blade	—	15,8	19,7*	8,9	13,1*	5,7	9,2	3,3	4,0*	3,3	3,9*
	Outriggers	Blade	17,5	19,7*	9,8	13,1*	6,3	10,3*	3,8	4,0*	3,8	3,9*
5	Blade	—	—	—	15,2	22,5*	8,8	13,5	5,4	9,1	3,2	5,6*
	Outriggers	Blade	—	—	16,9	22,5*	9,6	14,7*	6,0	10,9*	3,7	5,6*
0	Blade	—	—	—	22,5*	22,5*	13,8	14,7*	9,3	10,9*	5,6*	5,6*
	Outriggers	Blade	—	—	15,4	23,8*	8,4	13,6	4,9	8,6	3,1	4,8*
-5	Blade	—	—	—	17,0	23,8*	9,4	15,1*	5,6	11,1*	3,6	4,8*
	Outriggers	Blade	—	—	23,8*	23,8*	13,9	15,1*	8,9	11,1*	4,8*	4,8*
-10	Blade	—	—	—	14,2	24,4*	7,7	13,6	4,4	8,2	3,4	5,9*
	Outriggers	Blade	—	—	16,2	24,4*	8,7	15,5*	5,1	11,0*	3,9	5,9*
-15	Blade	—	—	—	13,5	25,2*	6,9	12,8	—	—	4,3	7,0*
	Outriggers	Blade	—	—	15,5	25,2*	7,8	14,5*	—	—	5,0	7,0*

 **Height**
 **Can be slewed through 360°**
 **In longitudinal position of undercarriage**
 **Max. reach**
* Limited by hydr. capacity

The lift capacities on the load lift hook of the Liebherr quick coupler SWA 33 without attachment are stated in lb x 1,000 and are valid on a firm, level supporting surface with blocked oscillating axle. These capacities can be slewed through 360° with the undercarriage in the transverse position. Capacities in the longitudinal position of the undercarriage (+/- 15°) are specified over the steering axle with the stabilizers raised and over the rigid axle with the stabilizers down. The values apply when the adjusting cylinder is in the optimal position. Indicated loads based on the ISO 10567 standard and do not exceed 75% of tipping or 87% of hydraulic capacity, or are limited by the permissible load of the load lift hook on the quick coupler (max. 11,000 lb). Without the quick coupler, lift capacities will increase by up to 240 lb.

Lift Capacities

with Offset Two-Piece Boom 16'5", EW-Undercarriage

Stick 7'5"

ft	Undercarriage stabilized		10 ft		15 ft		20 ft		25 ft		ft in		
	rear	front	Can be slewed through 360°	In longitudinal position of undercarriage	Can be slewed through 360°	In longitudinal position of undercarriage	Can be slewed through 360°	In longitudinal position of undercarriage	Can be slewed through 360°	In longitudinal position of undercarriage			
25	Blade	—	—	—	5,5*	5,5*	—	—	—	—	5,1*	5,1*	
	Outriggers	Blade	—	—	5,5*	5,5*	—	—	—	—	5,1*	5,1*	
20	Blade	—	—	—	10,1*	10,1*	4,7*	4,7*	—	—	4,4*	4,4*	
	Outriggers	Blade	—	—	10,1*	10,1*	4,7*	4,7*	—	—	4,4*	4,4*	
15	Blade	—	—	13,6*	13,6*	10,1	11,7*	6,3	9,4	—	—	4,2*	4,2*
	Outriggers	Blade	—	—	13,6*	13,6*	11,1	11,7*	7,0	9,9*	—	—	4,2*
10	Blade	—	—	17,4	20,5*	9,8	13,5*	6,2	9,3	—	—	4,0	4,3*
	Outriggers	Blade	—	—	20,5*	20,5*	13,5*	13,5*	9,8	10,5*	—	—	4,3*
5	Blade	—	—	16,9	22,7*	9,6	13,7	5,9	9,1	—	—	3,7	4,7*
	Outriggers	Blade	—	—	18,7	22,7*	10,6	14,9*	6,6	11,0*	—	—	4,2
0	Blade	—	—	17,2	24,0*	9,4	13,8	5,5	8,7	—	—	3,7	5,3*
	Outriggers	Blade	—	—	19,0	24,0*	10,5	15,3*	6,2	11,2*	—	—	4,3
-5	Blade	—	—	16,2	24,6*	8,5	13,7	5,1	8,3	—	—	4,2	6,7*
	Outriggers	Blade	—	—	18,6	24,6*	9,6	15,7*	5,8	10,7*	—	—	4,8
-10	Blade	—	—	15,3	24,7*	7,8	12,9	—	—	—	—	5,4	7,1*
	Outriggers	Blade	—	—	17,7	24,7*	8,9	13,7*	—	—	—	—	6,2
-15	Blade	—	—	—	—	—	—	—	—	—	—	—	—
	Outriggers	Blade	—	—	—	—	—	—	—	—	—	—	—

Stick 8'

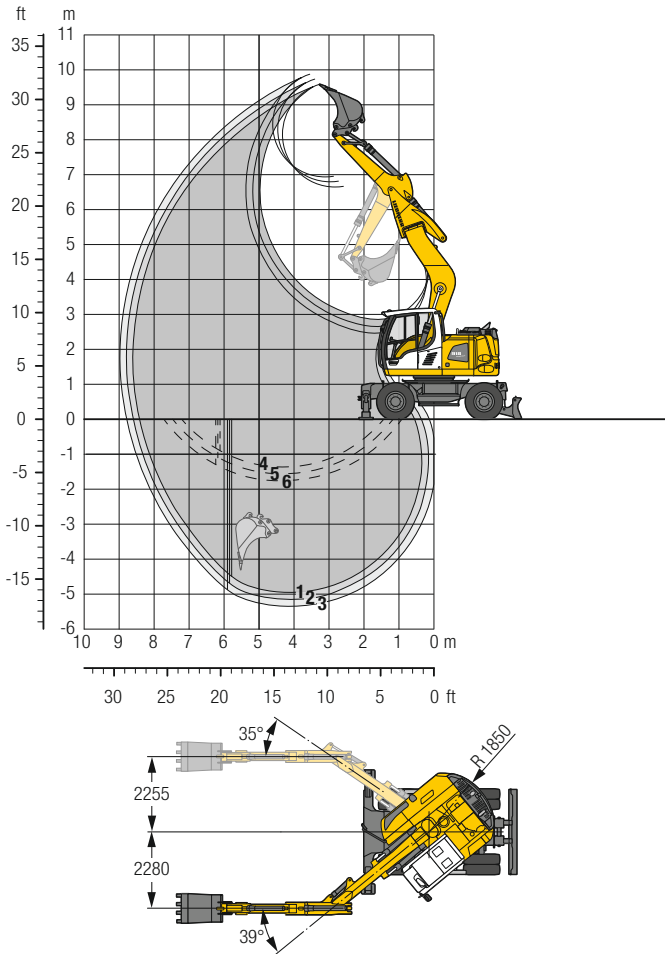
ft	Undercarriage stabilized		10 ft		15 ft		20 ft		25 ft		ft in		
	rear	front	Can be slewed through 360°	In longitudinal position of undercarriage	Can be slewed through 360°	In longitudinal position of undercarriage	Can be slewed through 360°	In longitudinal position of undercarriage	Can be slewed through 360°	In longitudinal position of undercarriage			
25	Blade	—	—	—	6,6*	6,6*	—	—	—	—	4,6*	4,6*	
	Outriggers	Blade	—	—	6,6*	6,6*	—	—	—	—	4,6*	4,6*	
20	Blade	—	—	—	9,4*	9,4*	5,9*	5,9*	—	—	4,0*	4,0*	
	Outriggers	Blade	—	—	9,4*	9,4*	5,9*	5,9*	—	—	4,0*	4,0*	
15	Blade	—	—	—	10,1	11,3*	6,3	9,4	—	—	3,8*	3,8*	
	Outriggers	Blade	—	—	11,1	11,3*	7,0	9,5*	—	—	3,8*	3,8*	
10	Blade	—	—	17,4	19,7*	9,8	13,1*	6,3	9,3	3,8	4,0*	3,8	3,9*
	Outriggers	Blade	—	—	19,3	19,7*	10,7	13,1*	7,0	10,3*	4,0*	4,0*	3,9*
5	Blade	—	—	16,8	22,6*	9,6	13,6	6,0	9,2	3,7	5,6*	3,5	4,2*
	Outriggers	Blade	—	—	18,6	22,6*	10,5	14,7*	6,7	10,9*	4,2	5,6*	4,0
0	Blade	—	—	17,0	23,8*	9,4	13,7	5,6	8,7	—	—	3,6	4,8*
	Outriggers	Blade	—	—	18,8	23,8*	10,6	15,1*	6,3	11,1*	—	—	4,1
-5	Blade	—	—	16,2	24,4*	8,7	13,8	5,1	8,3	—	—	3,9	5,9*
	Outriggers	Blade	—	—	18,6	24,4*	9,8	15,5*	5,8	11,0*	—	—	4,5
-10	Blade	—	—	15,5	25,3*	7,8	13,0	—	—	—	—	5,0	7,0*
	Outriggers	Blade	—	—	17,8	25,3*	8,9	14,5*	—	—	—	—	5,7
-15	Blade	—	—	—	—	—	—	—	—	—	—	—	—
	Outriggers	Blade	—	—	—	—	—	—	—	—	—	—	—

Height Can be slewed through 360° In longitudinal position of undercarriage Max. reach * Limited by hydr. capacity

The lift capacities on the load lift hook of the Liebherr quick coupler SWA 33 without attachment are stated in lb x 1,000 and are valid on a firm, level supporting surface with blocked oscillating axle. These capacities can be slewed through 360° with the undercarriage in the transverse position. Capacities in the longitudinal position of the undercarriage (+/- 15°) are specified over the steering axle with the stabilizers raised and over the rigid axle with the stabilizers down. The values apply when the adjusting cylinder is in the optimal position. Indicated loads based on the ISO 10567 standard and do not exceed 75% of tipping or 87% of hydraulic capacity, or are limited by the permissible load of the load lift hook on the quick coupler (max. 11,000 lb). Without the quick coupler, lift capacities will increase by up to 240 lb.

Backhoe Bucket

with Offset Mono Boom 16'1"



Digging Envelope

with quick coupler		1	2	3
Stick length	ft in	7' 5"	8'	8' 8"
Max. digging depth	ft in	16' 3"	16' 11"	17' 7"
Max. reach at ground level	ft in	27' 7"	28' 3"	28' 10"
Max. dumping height	ft in	21' 10"	22' 4"	22' 10"
Max. teeth height	ft in	31' 6"	32'	32' 4"
Min. equipment radius	ft in	6' 9"	6' 11"	7' 1"

- 1 with stick 7'5"
 - 2 with stick 8'
 - 3 with stick 8'8"
 - 4 with stick 7'5"
 - 5 with stick 8'
 - 6 with stick 8'8"
- with set straight boom
at max. equipment offset with vertical ditch walls

Digging Forces

without quick coupler		1	2	3
Max. digging force (ISO 6015)	lbf	18,210	17,085	16,096
	lb	18,300	17,000	16,100
Max. breakout force (ISO 6015)	lbf	22,121	22,121	22,121
	lb	22,000	22,000	22,000

Max. breakout force with ripper bucket 28,259 lbf (28,200 lb)

Operating Weight

The operating weight includes the basic machine with 8 tires plus intermediate rings, offset mono boom 16'1", stick 8', quick coupler SWA 33 and bucket 33.5" / 0.78 yd³.

Undercarriage versions	Weight (lb)
A 918 Compact Litronic with rear blade	39,200
A 918 Compact Litronic with rear outriggers + front blade	41,200
A 918 Compact EW Litronic with rear blade	39,500
A 918 Compact EW Litronic with rear outriggers + front blade	41,400

Buckets Machine stability per ISO 10567* (75% of tipping capacity)

Cutting width in	Capacity ISO 7451 ¹⁾ yd ³	Weight lb	Stabilizers raised			Rear blade down			Rear outriggers + front blade down			EW Stabilizers raised			EW Rear blade down			EW Rear outriggers + front blade down		
			Stick length (ft in)			Stick length (ft in)			Stick length (ft in)			Stick length (ft in)			Stick length (ft in)			Stick length (ft in)		
			7'5"	8'	8'8"	7'5"	8'	8'8"	7'5"	8'	8'8"	7'5"	8'	8'8"	7'5"	8'	8'8"	7'5"	8'	8'8"
25.6 ²⁾	0.55	772	■	■	■	■	■	■	■	■	■	■	■	■	■	■	■	■	■	■
33.5 ²⁾	0.78	882	■	■	■	■	■	■	■	■	■	■	■	■	■	■	■	■	■	■
41.3 ²⁾	1.05	1,058	■	■	■	■	■	■	■	■	■	■	■	■	■	■	■	■	■	■
49.2 ²⁾	1.24	1,168	△	△	△	■	■	△	■	■	■	■	■	■	■	■	■	■	■	■
25.6 ³⁾	0.55	794	■	■	■	■	■	■	■	■	■	■	■	■	■	■	■	■	■	■
33.5 ³⁾	0.78	926	■	■	■	■	■	■	■	■	■	■	■	■	■	■	■	■	■	■
41.3 ³⁾	1.05	1,102	■	■	△	■	■	■	■	■	■	■	■	■	■	■	■	■	■	■
49.2 ³⁾	1.24	1,213	△	△	△	■	■	△	■	■	■	■	■	■	■	■	■	■	■	■
25.6 ⁴⁾	0.59	728	■	■	■	■	■	■	■	■	■	■	■	■	■	■	■	■	■	■
33.5 ⁴⁾	0.85	838	■	■	■	■	■	■	■	■	■	■	■	■	■	■	■	■	■	■
41.3 ⁴⁾	1.11	1,014	■	■	△	■	■	■	■	■	■	■	■	■	■	■	■	■	■	■
49.2 ⁴⁾	1.37	1,102	△	△	-	■	△	△	■	■	■	■	△	△	△	■	■	■	■	■

* Indicated loads are based on ISO 10567 and do not exceed 75% of tipping or 87% of hydraulic capacity, max. stick length without quick coupler, lifted 360° on firm with blocked oscillating axle

¹⁾ comparable with SAE (heaped)

²⁾ Bucket with teeth ³⁾ Bucket with teeth in HD-version ⁴⁾ Bucket with cutting edge (also available in HD-version)

Max. material weight ■ = ≤ 3,034 lb/yd³, ■ = ≤ 2,528 lb/yd³, △ = ≤ 2,023 lb/yd³, - = not authorized

Lift Capacities

with Offset Mono Boom 16'1"

Stick 7'5"

ft	Undercarriage stabilized		10 ft		15 ft		20 ft		25 ft		ft in	
	rear	front	rear	front	rear	front	rear	front	rear	front	ft	in
25	Blade	—	—	—	—	—	—	—	—	—	5,0*	5,0*
	Outriggers	Blade	—	—	—	—	—	—	—	—	5,0*	5,0*
20	Blade	—	—	—	9,3	9,3*	—	—	—	—	4,3*	4,3*
	Outriggers	Blade	—	—	9,3*	9,3*	—	—	—	—	4,3*	4,3*
15	Blade	—	12,6*	12,6*	8,8	10,4*	5,4	8,3*	—	—	4,2*	4,2*
	Outriggers	Blade	12,6*	12,6*	10,4*	10,4*	8,3*	8,3*	—	—	4,2*	4,2*
10	Blade	—	14,6	18,6*	8,0	12,5*	5,1	8,8	—	—	3,8	4,4*
	Outriggers	Blade	16,7	18,6*	9,0	12,5*	5,7	10,1*	—	—	4,3	4,4*
5	Blade	—	12,1	18,1*	7,0	12,9	4,7	8,4	—	—	3,5	4,9*
	Outriggers	Blade	14,1	18,1*	8,0	14,5*	5,3	10,9*	—	—	4,0	4,9*
0	Blade	—	11,4	18,3*	6,5	12,2	4,4	8,0	—	—	3,5	5,8*
	Outriggers	Blade	13,3	18,3*	7,4	15,4*	5,0	11,2*	—	—	4,1	5,8*
-5	Blade	—	11,4	21,3*	6,3	12,0	4,3	7,9	—	—	4,0	7,3
	Outriggers	Blade	13,3	21,3*	7,2	14,6*	4,9	10,5*	—	—	4,5	7,8*
-10	Blade	—	11,8	16,8*	6,5	11,9*	—	—	—	—	5,2	9,6*
	Outriggers	Blade	13,8	16,8*	7,4	11,9*	—	—	—	—	6,0	9,6*
-15	Blade	—	—	—	—	—	—	—	—	—	—	—
	Outriggers	Blade	—	—	—	—	—	—	—	—	—	—

Stick 8'

ft	Undercarriage stabilized		10 ft		15 ft		20 ft		25 ft		ft in	
	rear	front	rear	front	rear	front	rear	front	rear	front	ft	in
25	Blade	—	—	—	—	—	—	—	—	—	4,5*	4,5*
	Outriggers	Blade	—	—	—	—	—	—	—	—	4,5*	4,5*
20	Blade	—	—	—	—	8,9*	8,9*	—	—	—	3,9*	3,9*
	Outriggers	Blade	—	—	8,9*	8,9*	—	—	—	—	3,9*	3,9*
15	Blade	—	—	—	—	8,9	10,0*	5,4	8,4*	—	3,8*	3,8*
	Outriggers	Blade	—	—	10,0*	10,0*	6,1	8,4*	—	—	3,8*	3,8*
10	Blade	—	14,9	17,6*	8,0	12,1*	5,1	8,8	—	—	3,6	4,0*
	Outriggers	Blade	17,0	17,6*	9,0	12,1*	5,7	9,8*	—	—	4,0*	4,0*
5	Blade	—	12,3	20,6*	7,1	13,0	4,6	8,4	—	—	3,4	4,4*
	Outriggers	Blade	14,2	20,6*	8,0	14,2*	5,3	10,7*	—	—	3,8	4,4*
0	Blade	—	11,3	18,4*	6,4	12,2	4,3	8,0	—	—	3,4	5,2*
	Outriggers	Blade	13,2	18,4*	7,4	15,3*	4,9	11,2*	—	—	3,9	5,2*
-5	Blade	—	11,3	21,7*	6,2	12,0	4,2	7,9	—	—	3,7	6,8*
	Outriggers	Blade	13,2	21,7*	7,1	14,7*	4,8	10,6*	—	—	4,3	6,8*
-10	Blade	—	11,6	17,6*	6,3	12,1	—	—	—	—	4,8	9,0
	Outriggers	Blade	13,5	17,6*	7,3	12,3*	—	—	—	—	5,5	9,4*
-15	Blade	—	—	—	—	—	—	—	—	—	—	—
	Outriggers	Blade	—	—	—	—	—	—	—	—	—	—

Stick 8'8"

ft	Undercarriage stabilized		10 ft		15 ft		20 ft		25 ft		ft in	
	rear	front	rear	front	rear	front	rear	front	rear	front	ft	in
25	Blade	—	—	—	5,1*	5,1*	—	—	—	—	4,1*	4,1*
	Outriggers	Blade	—	—	5,1*	5,1*	—	—	—	—	4,1*	4,1*
20	Blade	—	—	—	8,4*	8,4*	4,6*	4,6*	—	—	3,6*	3,6*
	Outriggers	Blade	—	—	8,4*	8,4*	4,6*	4,6*	—	—	3,6*	3,6*
15	Blade	—	—	—	9,0	9,5*	5,5	8,2*	—	—	3,5*	3,5*
	Outriggers	Blade	—	—	9,5*	9,5*	6,1	8,2*	—	—	3,5*	3,5*
10	Blade	—	15,3	16,6*	8,1	11,6*	5,1	8,9	—	—	3,5	3,6*
	Outriggers	Blade	16,6*	16,6*	9,1	11,6*	5,7	9,5*	—	—	3,6*	3,6*
5	Blade	—	12,5	22,4*	7,1	13,0	4,6	8,4	3,2	4,2*	3,2	4,0*
	Outriggers	Blade	14,4	22,4*	8,1	13,9*	5,3	10,5*	3,7	4,2*	3,7	4,0*
0	Blade	—	11,3	18,7*	6,4	12,2	4,3	8,0	—	—	3,2	4,6*
	Outriggers	Blade	13,2	18,7*	7,4	15,1*	4,9	11,1*	—	—	3,7	4,6*
-5	Blade	—	11,1	22,1*	6,1	11,9	4,1	7,8	—	—	3,5	6,0*
	Outriggers	Blade	13,0	22,1*	7,1	14,8*	4,7	10,7*	—	—	4,0	6,0*
-10	Blade	—	11,4	18,3*	6,2	12,0	—	—	—	—	4,4	8,3
	Outriggers	Blade	13,3	18,3*	7,2	12,7*	—	—	—	—	5,1	9,1*
-15	Blade	—	—	—	—	—	—	—	—	—	—	—
	Outriggers	Blade	—	—	—	—	—	—	—	—	—	—

Height Can be slewed through 360° In longitudinal position of undercarriage Max. reach * Limited by hydr. capacity

The lift capacities on the load lift hook of the Liebherr quick coupler SWA 33 without attachment are stated in lb x 1,000 and are valid on a firm, level supporting surface with blocked oscillating axle. These capacities can be slewed through 360° with the undercarriage in the transverse position. Capacities in the longitudinal position of the undercarriage (+/- 15°) are specified over the steering axle with the stabilizers raised and over the rigid axle with the stabilizers down. Indicated loads based on the ISO 10567 standard and do not exceed 75 % of tipping or 87 % of hydraulic capacity, or are limited by the permissible load of the load lift hook on the quick coupler (max. 11,000 lb). Without the quick coupler, lift capacities will increase by up to 240 lb.

Lift Capacities

with Offset Mono Boom 16'1", EW-Undercarriage

Stick 7'5"

ft	Undercarriage stabilized		10 ft		15 ft		20 ft		25 ft		ft in	
	rear	front	rear	front	rear	front	rear	front	rear	front	ft	in
25	Blade	—	—	—	—	—	—	—	—	—	5,0*	5,0*
	Outriggers	Blade	—	—	—	—	—	—	—	—	5,0*	5,0*
20	Blade	—	—	—	9,3*	9,3*	—	—	—	—	4,3*	4,3*
	Outriggers	Blade	—	—	9,3*	9,3*	—	—	—	—	4,3*	4,3*
15	Blade	—	12,6*	12,6*	10,4*	10,4*	6,0	8,3*	—	—	4,2*	4,2*
	Outriggers	Blade	12,6*	12,6*	10,4*	10,4*	8,3*	8,3*	—	—	4,2*	4,2*
10	Blade	—	16,6*	18,6*	8,9	12,5*	5,7	8,9	—	—	4,3*	4,4*
	Outriggers	Blade	18,6*	18,6*	10,0	12,5*	6,4	10,1*	—	—	4,4*	4,4*
5	Blade	—	14,0	18,1*	8,0	13,1	5,3	8,5	—	—	4,0	4,9*
	Outriggers	Blade	16,3	18,1*	9,1	14,5*	6,0	10,9*	—	—	4,6	4,9*
0	Blade	—	13,3	18,3*	7,4	12,4	5,0	8,1	—	—	4,0	5,8*
	Outriggers	Blade	15,5	18,3*	8,5	15,4*	5,7	11,2*	—	—	4,6	5,8*
-5	Blade	—	13,3	21,3*	7,2	12,2	4,9	8,0	—	—	4,5	7,4
	Outriggers	Blade	15,5	21,3*	8,3	14,6*	5,6	10,5*	—	—	5,2	7,8*
-10	Blade	—	13,7	16,8*	7,4	11,9*	—	—	—	—	6,0	9,6*
	Outriggers	Blade	16,0	16,8*	8,5	11,9*	8,7	10,5*	—	—	6,8	9,6*
-15	Blade	—	—	—	—	—	—	—	—	—	—	—
	Outriggers	Blade	—	—	—	—	—	—	—	—	—	—

Stick 8'

ft	Undercarriage stabilized		10 ft		15 ft		20 ft		25 ft		ft in	
	rear	front	rear	front	rear	front	rear	front	rear	front	ft	in
25	Blade	—	—	—	—	—	—	—	—	—	4,5*	4,5*
	Outriggers	Blade	—	—	—	—	—	—	—	—	4,5*	4,5*
20	Blade	—	—	—	8,9*	8,9*	—	—	—	—	3,9*	3,9*
	Outriggers	Blade	—	—	8,9*	8,9*	—	—	—	—	3,9*	3,9*
15	Blade	—	—	—	9,9	10,0*	6,1	8,4*	—	—	3,8*	3,8*
	Outriggers	Blade	—	—	10,0*	10,0*	6,8	8,4*	—	—	3,8*	3,8*
10	Blade	—	16,9	17,6*	9,0	12,1*	5,7	8,9	—	—	4,0*	4,0*
	Outriggers	Blade	17,6*	17,6*	10,1	12,1*	6,4	9,8*	—	—	4,0*	4,0*
5	Blade	—	14,2	20,6*	8,0	13,1	5,3	8,5	—	—	3,8	4,4*
	Outriggers	Blade	16,4	20,6*	9,1	14,2*	6,0	10,7*	—	—	4,4	4,4*
0	Blade	—	13,2	18,4*	7,4	12,4	4,9	8,1	—	—	3,8	5,2*
	Outriggers	Blade	15,4	18,4*	8,4	15,3*	5,6	11,2*	—	—	4,4	5,2*
-5	Blade	—	13,1	21,7*	7,1	12,1	4,8	7,9	—	—	4,3	6,8*
	Outriggers	Blade	15,3	21,7*	8,2	14,7*	5,5	10,6*	—	—	4,9	6,8*
-10	Blade	—	13,5	17,6*	7,3	12,3	—	—	—	—	5,5	9,1
	Outriggers	Blade	15,7	17,6*	8,3	12,3*	8,6	10,6*	—	—	6,3	9,4*
-15	Blade	—	—	—	—	—	—	—	—	—	—	—
	Outriggers	Blade	—	—	—	—	—	—	—	—	—	—

Stick 8'8"

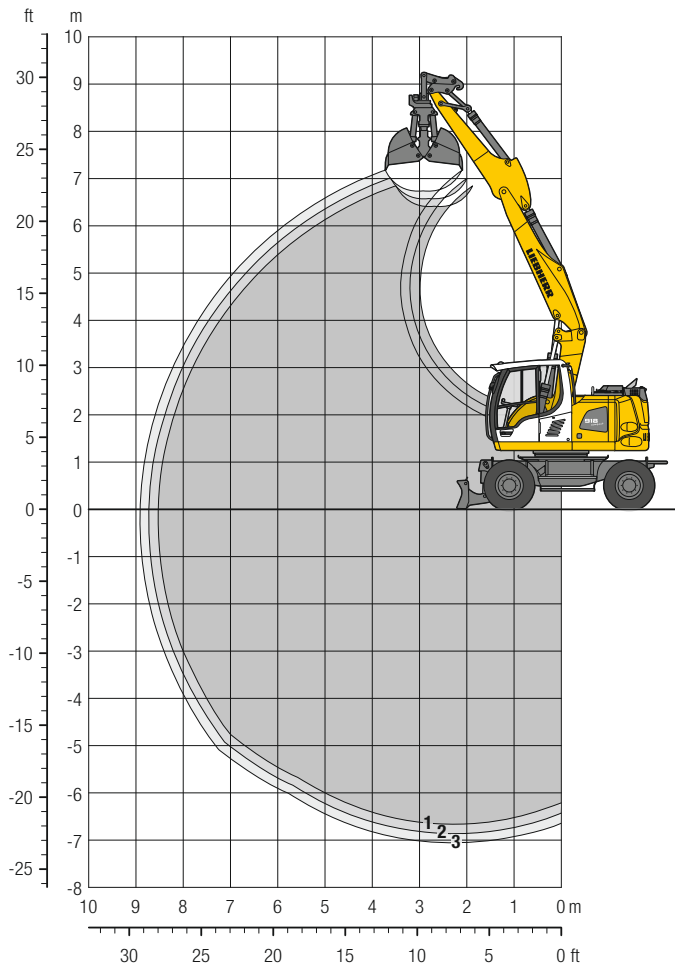
ft	Undercarriage stabilized		10 ft		15 ft		20 ft		25 ft		ft in	
	rear	front	rear	front	rear	front	rear	front	rear	front	ft	in
25	Blade	—	—	—	5,1*	5,1*	—	—	—	—	4,1*	4,1*
	Outriggers	Blade	—	—	5,1*	5,1*	—	—	—	—	4,1*	4,1*
20	Blade	—	—	—	8,4*	8,4*	4,6*	4,6*	—	—	3,6*	3,6*
	Outriggers	Blade	—	—	8,4*	8,4*	4,6*	4,6*	—	—	3,6*	3,6*
15	Blade	—	—	—	9,5*	9,5*	6,1	8,2*	—	—	3,5*	3,5*
	Outriggers	Blade	—	—	9,5*	9,5*	6,8	8,2*	—	—	3,5*	3,5*
10	Blade	—	16,6*	16,6*	9,1	11,6*	5,7	9,0	—	—	3,6*	3,6*
	Outriggers	Blade	16,6*	16,6*	10,2	11,6*	6,4	9,5*	—	—	3,6*	3,6*
5	Blade	—	14,4	22,4*	8,0	13,1	5,3	8,5	3,7	4,2*	3,6	4,0*
	Outriggers	Blade	16,6	22,4*	9,1	13,9*	6,0	10,5*	4,2	4,2*	4,0*	4,0*
0	Blade	—	13,1	18,7*	7,3	12,3	4,9	8,1	—	—	3,6	4,6*
	Outriggers	Blade	15,4	18,7*	8,4	15,1*	5,6	11,1*	—	—	4,2	4,6*
-5	Blade	—	13,0	22,1*	7,0	12,0	4,7	7,9	—	—	4,0	6,0*
	Outriggers	Blade	15,2	22,1*	8,1	14,8*	5,4	10,7*	—	—	4,6	6,0*
-10	Blade	—	13,3	18,3*	7,1	12,1	—	—	—	—	5,1	8,4
	Outriggers	Blade	15,5	18,3*	8,2	12,7*	—	—	—	—	5,8	9,1*
-15	Blade	—	—	—	—	—	—	—	—	—	—	—
	Outriggers	Blade	—	—	—	—	—	—	—	—	—	—

Height Can be slewed through 360° In longitudinal position of undercarriage Max. reach * Limited by hydr. capacity

The lift capacities on the load lift hook of the Liebherr quick coupler SWA 33 without attachment are stated in lb x 1,000 and are valid on a firm, level supporting surface with blocked oscillating axle. These capacities can be slewed through 360° with the undercarriage in the transverse position. Capacities in the longitudinal position of the undercarriage (+/- 15°) are specified over the steering axle with the stabilizers raised and over the rigid axle with the stabilizers down. Indicated loads based on the ISO 10567 standard and do not exceed 75 % of tipping or 87 % of hydraulic capacity, or are limited by the permissible load of the load lift hook on the quick coupler (max. 11,000 lb). Without the quick coupler, lift capacities will increase by up to 240 lb.

Clamshell Grab

with Two-Piece Boom 16'7"



Digging Envelope

with quick coupler	1	2	3
Stick length	ft in 7'5"	8'	8'8"
Max. digging depth	ft in 22'	22'8"	23'4"
Max. reach at ground level	ft in 28'1"	28'8"	29'4"
Max. dumping height	ft in 21'	21'8"	22'2"

Clamshell Grab GM 10B

Max. tooth force	16,411 lbf (16,300 lb)
Max. torque of hydr. swivel	1,298 lbf ft

Operating Weight

The operating weight includes the basic machine with 8 tires plus intermediate rings, two-piece boom 16'7", stick 8', quick coupler SWA 33 and clamshell grab GM 10B/0.59 yd³ (31.5" without ejector).

Undercarriage versions	Weight (lb)
A 918 Compact Litronic [®] with rear blade	40,100
A 918 Compact Litronic [®] with rear outriggers + front blade	42,100
A 918 Compact EW Litronic [®] with rear blade	40,300
A 918 Compact EW Litronic [®] with rear outriggers + front blade	42,300

Clamshell Grab GM 10B Machine stability per ISO 10567* (75% of tipping capacity)

Width of clamshells in	Capacity yd ³	Weight lb	Stabilizers raised			Rear blade down			Rear outriggers + front blade down			EW Stabilizers raised			EW Rear blade down			EW Rear outriggers + front blade down		
			Stick length (ft in)			Stick length (ft in)			Stick length (ft in)			Stick length (ft in)			Stick length (ft in)			Stick length (ft in)		
			7'5"	8'	8'8"	7'5"	8'	8'8"	7'5"	8'	8'8"	7'5"	8'	8'8"	7'5"	8'	8'8"	7'5"	8'	8'8"
12.6 ⁽¹⁾	0.22	1,852	■	■	■	■	■	■	■	■	■	■	■	■	■	■	■	■	■	■
15.7 ⁽¹⁾	0.29	1,940	■	■	■	■	■	■	■	■	■	■	■	■	■	■	■	■	■	■
23.6 ⁽¹⁾	0.46	2,116	■	■	■	■	■	■	■	■	■	■	■	■	■	■	■	■	■	■
31.5 ⁽¹⁾	0.59	2,227	■	■	■	■	■	■	■	■	■	■	■	■	■	■	■	■	■	■
39.4 ⁽¹⁾	0.78	2,359	■	■	△	■	■	■	■	■	■	■	■	■	■	■	■	■	■	■
12.6 ⁽²⁾	0.22	1,962	■	■	■	■	■	■	■	■	■	■	■	■	■	■	■	■	■	■
15.7 ⁽²⁾	0.29	2,072	■	■	■	■	■	■	■	■	■	■	■	■	■	■	■	■	■	■
23.6 ⁽²⁾	0.46	2,337	■	■	■	■	■	■	■	■	■	■	■	■	■	■	■	■	■	■
31.5 ⁽²⁾	0.59	2,535	■	■	■	■	■	■	■	■	■	■	■	■	■	■	■	■	■	■

* Indicated loads are based on ISO 10567 and do not exceed 75% of tipping or 87% of hydraulic capacity, max. stick length without quick coupler, lifted 360° on firm with blocked oscillating axle

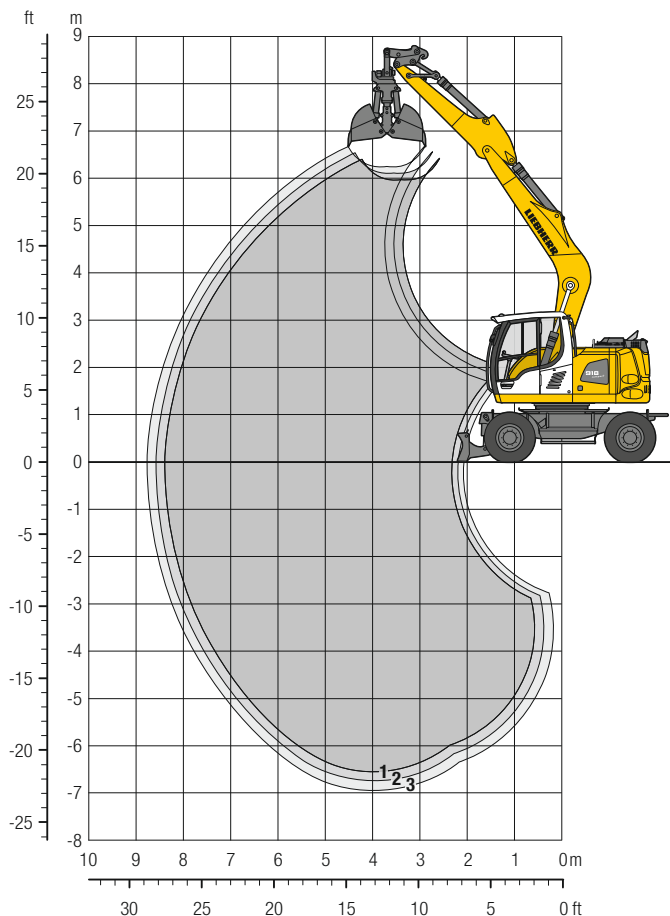
¹⁾ without ejector

²⁾ with ejector

Max. material weight ■ = ≤ 3,034 lb/yd³, ■ = ≤ 2,528 lb/yd³, △ = ≤ 2,023 lb/yd³, - = not authorized

Clamshell Grab

with Mono Boom 16'5"



Digging Envelope

with quick coupler		1	2	3
Stick length	ft in	7'5"	8'	8' 8"
Max. digging depth	ft in	21'6"	22'2"	22'10"
Max. reach at ground level	ft in	27'7"	28'3"	28'10"
Max. dumping height	ft in	19'6"	20'	20' 6"

Clamshell Grab GM 10B

Max. tooth force	16,411 lbf (16,300 lb)
Max. torque of hydr. swivel	1,298 lbf ft

Operating Weight

The operating weight includes the basic machine with 8 tires plus intermediate rings, mono boom 16'5", stick 8', quick coupler SWA 33 and clamshell grab GM 10B/0.59 yd³ (31.5" without ejector).

Undercarriage versions	Weight (lb)
A 918 Compact Litronic [®] with rear blade	39,500
A 918 Compact Litronic [®] with rear outriggers + front blade	41,700
A 918 Compact EW Litronic [®] with rear blade	39,700
A 918 Compact EW Litronic [®] with rear outriggers + front blade	41,900

Clamshell Grab GM 10B Machine stability per ISO 10567* (75% of tipping capacity)

Width of clamshells in	Capacity yd ³	Weight lb	Stabilizers raised			Rear blade down			Rear outriggers + front blade down			EW Stabilizers raised			EW Rear blade down			EW Rear outriggers + front blade down		
			Stick length (ft in)			Stick length (ft in)			Stick length (ft in)			Stick length (ft in)			Stick length (ft in)			Stick length (ft in)		
			7'5"	8'	8'8"	7'5"	8'	8'8"	7'5"	8'	8'8"	7'5"	8'	8'8"	7'5"	8'	8'8"	7'5"	8'	8'8"
12.6 ⁽¹⁾	0.22	1,852	■	■	■	■	■	■	■	■	■	■	■	■	■	■	■	■	■	■
15.7 ⁽¹⁾	0.29	1,940	■	■	■	■	■	■	■	■	■	■	■	■	■	■	■	■	■	■
23.6 ⁽¹⁾	0.46	2,116	■	■	■	■	■	■	■	■	■	■	■	■	■	■	■	■	■	■
31.5 ⁽¹⁾	0.59	2,227	■	■	■	■	■	■	■	■	■	■	■	■	■	■	■	■	■	■
39.4 ⁽¹⁾	0.78	2,359	■	■	△	■	■	■	■	■	■	■	■	■	■	■	■	■	■	■
12.6 ⁽²⁾	0.22	1,962	■	■	■	■	■	■	■	■	■	■	■	■	■	■	■	■	■	■
15.7 ⁽²⁾	0.29	2,072	■	■	■	■	■	■	■	■	■	■	■	■	■	■	■	■	■	■
23.6 ⁽²⁾	0.46	2,337	■	■	■	■	■	■	■	■	■	■	■	■	■	■	■	■	■	■
31.5 ⁽²⁾	0.59	2,535	■	■	■	■	■	■	■	■	■	■	■	■	■	■	■	■	■	■

* Indicated loads are based on ISO 10567 and do not exceed 75% of tipping or 87% of hydraulic capacity, max. stick length without quick coupler, lifted 360° on firm with blocked oscillating axle

¹⁾ without ejector

²⁾ with ejector

Max. material weight ■ = ≤ 3,034 lb/yd³, ■ = ≤ 2,528 lb/yd³, △ = ≤ 2,023 lb/yd³, - = not authorized

Equipments

Clamshell Grabs

Clamshell Grab GM 8B Machine stability per ISO 10567* (75% of tipping capacity)

Width of clamshells in	Capacity yd ³	Weight lb	Stabilizers raised			Rear blade down			Rear outriggers + front blade down			EW Stabilizers raised			EW Rear blade down			EW Rear outriggers + front blade down		
			Stick length (ft in)			Stick length (ft in)			Stick length (ft in)			Stick length (ft in)			Stick length (ft in)			Stick length (ft in)		
			7'5"	8'	8'8"	7'5"	8'	8'8"	7'5"	8'	8'8"	7'5"	8'	8'8"	7'5"	8'	8'8"	7'5"	8'	8'8"
Two-piece boom 16'7"																				
12.6 ⁽¹⁾	0.22	1,797	■	■	■	■	■	■	■	■	■	■	■	■	■	■	■	■	■	
15.7 ⁽¹⁾	0.29	1,896	■	■	■	■	■	■	■	■	■	■	■	■	■	■	■	■	■	
23.6 ⁽¹⁾	0.39	1,874	■	■	■	■	■	■	■	■	■	■	■	■	■	■	■	■	■	
31.5 ⁽¹⁾	0.52	1,984	■	■	■	■	■	■	■	■	■	■	■	■	■	■	■	■	■	
39.4 ⁽¹⁾⁽³⁾	1.05	2,205	△	-	-	■	△	△	■	■	■	■	△	△	■	■	■	■	■	
12.6 ⁽²⁾	0.22	1,918	■	■	■	■	■	■	■	■	■	■	■	■	■	■	■	■	■	
15.7 ⁽²⁾	0.29	2,028	■	■	■	■	■	■	■	■	■	■	■	■	■	■	■	■	■	
23.6 ⁽²⁾	0.39	2,072	■	■	■	■	■	■	■	■	■	■	■	■	■	■	■	■	■	
31.5 ⁽²⁾	0.52	2,227	■	■	■	■	■	■	■	■	■	■	■	■	■	■	■	■	■	
Mono boom 16'5"																				
12.6 ⁽¹⁾	0.22	1,797	■	■	■	■	■	■	■	■	■	■	■	■	■	■	■	■	■	
15.7 ⁽¹⁾	0.29	1,896	■	■	■	■	■	■	■	■	■	■	■	■	■	■	■	■	■	
23.6 ⁽¹⁾	0.39	1,874	■	■	■	■	■	■	■	■	■	■	■	■	■	■	■	■	■	
31.5 ⁽¹⁾	0.52	1,984	■	■	■	■	■	■	■	■	■	■	■	■	■	■	■	■	■	
39.4 ⁽¹⁾⁽³⁾	1.05	2,205	△	△	-	■	■	△	■	■	■	■	△	△	■	■	■	■	■	
12.6 ⁽²⁾	0.22	1,918	■	■	■	■	■	■	■	■	■	■	■	■	■	■	■	■	■	
15.7 ⁽²⁾	0.29	2,028	■	■	■	■	■	■	■	■	■	■	■	■	■	■	■	■	■	
23.6 ⁽²⁾	0.39	2,072	■	■	■	■	■	■	■	■	■	■	■	■	■	■	■	■	■	
31.5 ⁽²⁾	0.52	2,227	■	■	■	■	■	■	■	■	■	■	■	■	■	■	■	■	■	
Offset two-piece boom 16'5"																				
12.6 ⁽¹⁾	0.22	1,797	■	■	-	■	■	-	■	■	-	■	■	-	■	■	-	■	■	
15.7 ⁽¹⁾	0.29	1,896	■	■	-	■	■	-	■	■	-	■	■	-	■	■	-	■	■	
23.6 ⁽¹⁾	0.39	1,874	■	■	-	■	■	-	■	■	-	■	■	-	■	■	-	■	■	
31.5 ⁽¹⁾	0.52	1,984	■	■	-	■	■	-	■	■	-	■	■	-	■	■	-	■	■	
39.4 ⁽¹⁾⁽³⁾	1.05	2,205	-	-	-	△	△	-	■	■	-	△	△	-	■	■	-	■	■	
12.6 ⁽²⁾	0.22	1,918	■	■	-	■	■	-	■	■	-	■	■	-	■	■	-	■	■	
15.7 ⁽²⁾	0.29	2,028	■	■	-	■	■	-	■	■	-	■	■	-	■	■	-	■	■	
23.6 ⁽²⁾	0.39	2,072	■	■	-	■	■	-	■	■	-	■	■	-	■	■	-	■	■	
31.5 ⁽²⁾	0.52	2,227	■	■	-	■	■	-	■	■	-	■	■	-	■	■	-	■	■	
Offset mono boom 16'1"																				
12.6 ⁽¹⁾	0.22	1,797	■	■	■	■	■	■	■	■	■	■	■	■	■	■	■	■	■	
15.7 ⁽¹⁾	0.29	1,896	■	■	■	■	■	■	■	■	■	■	■	■	■	■	■	■	■	
23.6 ⁽¹⁾	0.39	1,874	■	■	■	■	■	■	■	■	■	■	■	■	■	■	■	■	■	
31.5 ⁽¹⁾	0.52	1,984	■	■	■	■	■	■	■	■	■	■	■	■	■	■	■	■	■	
39.4 ⁽¹⁾⁽³⁾	1.05	2,205	△	-	-	■	△	△	■	■	■	■	△	△	△	■	■	■	■	
12.6 ⁽²⁾	0.22	1,918	■	■	■	■	■	■	■	■	■	■	■	■	■	■	■	■	■	
15.7 ⁽²⁾	0.29	2,028	■	■	■	■	■	■	■	■	■	■	■	■	■	■	■	■	■	
23.6 ⁽²⁾	0.39	2,072	■	■	■	■	■	■	■	■	■	■	■	■	■	■	■	■	■	
31.5 ⁽²⁾	0.52	2,227	■	■	■	■	■	■	■	■	■	■	■	■	■	■	■	■	■	

* Indicated loads are based on ISO 10567 and do not exceed 75% of tipping or 87% of hydraulic capacity, max. stick length without quick coupler, lifted 360° on firm with blocked oscillating axle

¹⁾ without ejector

²⁾ with ejector

³⁾ Shells for loose material

Max. material weight ■ = ≤ 3,034 lb/yd³, ■ = ≤ 2,528 lb/yd³, △ = ≤ 2,023 lb/yd³, - = not authorized

Clamshell Grab GM 10B Machine stability per ISO 10567* (75% of tipping capacity)

Width of clamshells in	Capacity yd ³	Weight lb	Stabilizers raised			Rear blade down			Rear outriggers + front blade down			EW Stabilizers raised			EW Rear blade down			EW Rear outriggers + front blade down		
			Stick length (ft in)			Stick length (ft in)			Stick length (ft in)			Stick length (ft in)			Stick length (ft in)			Stick length (ft in)		
			7'5"	8'	8'8"	7'5"	8'	8'8"	7'5"	8'	8'8"	7'5"	8'	8'8"	7'5"	8'	8'8"	7'5"	8'	8'8"
Offset two-piece boom 16'5"																				
12.6 ¹⁾	0.22	1,852	■	■	-	■	■	-	■	■	-	■	■	-	■	■	-	■	■	-
15.7 ¹⁾	0.29	1,940	■	■	-	■	■	-	■	■	-	■	■	-	■	■	-	■	■	-
23.6 ¹⁾	0.46	2,116	■	■	-	■	■	-	■	■	-	■	■	-	■	■	-	■	■	-
31.5 ¹⁾	0.59	2,227	■	■	-	■	■	-	■	■	-	■	■	-	■	■	-	■	■	-
39.4 ¹⁾	0.78	2,359	△	-	-	■	■	-	■	■	-	■	■	-	■	■	-	■	■	-
12.6 ²⁾	0.22	1,962	■	■	-	■	■	-	■	■	-	■	■	-	■	■	-	■	■	-
15.7 ²⁾	0.29	2,072	■	■	-	■	■	-	■	■	-	■	■	-	■	■	-	■	■	-
23.6 ²⁾	0.46	2,337	■	■	-	■	■	-	■	■	-	■	■	-	■	■	-	■	■	-
31.5 ²⁾	0.59	2,535	■	△	-	■	■	-	■	■	-	■	■	-	■	■	-	■	■	-
Offset mono boom 16'1"																				
12.6 ¹⁾	0.22	1,852	■	■	■	■	■	■	■	■	■	■	■	■	■	■	■	■	■	■
15.7 ¹⁾	0.29	1,940	■	■	■	■	■	■	■	■	■	■	■	■	■	■	■	■	■	■
23.6 ¹⁾	0.46	2,116	■	■	■	■	■	■	■	■	■	■	■	■	■	■	■	■	■	■
31.5 ¹⁾	0.59	2,227	■	■	■	■	■	■	■	■	■	■	■	■	■	■	■	■	■	■
39.4 ¹⁾	0.78	2,359	■	△	△	■	■	■	■	■	■	■	■	■	■	■	■	■	■	■
12.6 ²⁾	0.22	1,962	■	■	■	■	■	■	■	■	■	■	■	■	■	■	■	■	■	■
15.7 ²⁾	0.29	2,072	■	■	■	■	■	■	■	■	■	■	■	■	■	■	■	■	■	■
23.6 ²⁾	0.46	2,337	■	■	■	■	■	■	■	■	■	■	■	■	■	■	■	■	■	■
31.5 ²⁾	0.59	2,535	■	■	■	■	■	■	■	■	■	■	■	■	■	■	■	■	■	■

* Indicated loads are based on ISO 10567 and do not exceed 75% of tipping or 87% of hydraulic capacity, max. stick length without quick coupler, lifted 360° on firm with blocked oscillating axle

¹⁾ without ejector

²⁾ with ejector

Max. material weight ■ = ≤ 3,034 lb/yd³, ■ = ≤ 2,528 lb/yd³, △ = ≤ 2,023 lb/yd³, - = not authorized

Equipments

Ditch Cleaning Buckets

Ditch Cleaning Buckets Machine stability per ISO 10567* (75% of tipping capacity)

Cutting width in	Capacity ISO 7451 ¹⁾ yd ³	Weight lb	Stabilizers raised			Rear blade down			Rear outriggers + front blade down			EW Stabilizers raised			EW Rear blade down			EW Rear outriggers + front blade down		
			Stick length (ft in)			Stick length (ft in)			Stick length (ft in)			Stick length (ft in)			Stick length (ft in)			Stick length (ft in)		
			7'5"	8'	8'8"	7'5"	8'	8'8"	7'5"	8'	8'8"	7'5"	8'	8'8"	7'5"	8'	8'8"	7'5"	8'	8'8"
Two-piece boom 16'7"																				
59.1" ³⁾	0.65	816	■	■	■	■	■	■	■	■	■	■	■	■	■	■	■	■	■	
63.0" ²⁾	0.72	1,433	■	■	■	■	■	■	■	■	■	■	■	■	■	■	■	■	■	
63.0" ²⁾	1.05	1,720	■	△	△	■	■	■	■	■	■	■	■	■	■	■	■	■	■	
78.7" ²⁾	0.65	1,477	■	■	■	■	■	■	■	■	■	■	■	■	■	■	■	■	■	
78.7" ³⁾	0.63	794	■	■	■	■	■	■	■	■	■	■	■	■	■	■	■	■	■	
78.7" ²⁾	0.92	1,742	■	■	△	■	■	■	■	■	■	■	■	■	■	■	■	■	■	
Mono boom 16'5"																				
59.1" ³⁾	0.65	816	■	■	■	■	■	■	■	■	■	■	■	■	■	■	■	■	■	
63.0" ²⁾	0.72	1,433	■	■	■	■	■	■	■	■	■	■	■	■	■	■	■	■	■	
63.0" ²⁾	1.05	1,720	■	△	△	■	■	■	■	■	■	■	■	■	■	■	■	■	■	
78.7" ²⁾	0.65	1,477	■	■	■	■	■	■	■	■	■	■	■	■	■	■	■	■	■	
78.7" ³⁾	0.63	794	■	■	■	■	■	■	■	■	■	■	■	■	■	■	■	■	■	
78.7" ²⁾	0.92	1,742	■	■	■	■	■	■	■	■	■	■	■	■	■	■	■	■	■	
Offset two-piece boom 16'5"																				
59.1" ³⁾	0.65	816	■	■	-	■	■	-	■	■	-	■	■	-	■	■	-	■	■	-
63.0" ²⁾	0.72	1,433	■	■	-	■	■	-	■	■	-	■	■	-	■	■	-	■	■	-
63.0" ²⁾	1.05	1,720	△	-	-	■	△	-	■	■	-	■	△	-	■	■	-	■	■	-
78.7" ²⁾	0.65	1,477	■	■	-	■	■	-	■	■	-	■	■	-	■	■	-	■	■	-
78.7" ³⁾	0.63	794	■	■	-	■	■	-	■	■	-	■	■	-	■	■	-	■	■	-
78.7" ²⁾	0.92	1,742	△	△	-	■	■	-	■	■	-	■	■	-	■	■	-	■	■	-
Offset mono boom 16'1"																				
59.1" ³⁾	0.65	816	■	■	■	■	■	■	■	■	■	■	■	■	■	■	■	■	■	■
63.0" ²⁾	0.72	1,433	■	■	■	■	■	■	■	■	■	■	■	■	■	■	■	■	■	■
63.0" ²⁾	1.05	1,720	△	△	△	■	■	■	■	■	■	■	■	△	■	■	■	■	■	■
78.7" ²⁾	0.65	1,477	■	■	■	■	■	■	■	■	■	■	■	■	■	■	■	■	■	■
78.7" ³⁾	0.63	794	■	■	■	■	■	■	■	■	■	■	■	■	■	■	■	■	■	■
78.7" ²⁾	0.92	1,742	■	■	△	■	■	■	■	■	■	■	■	■	■	■	■	■	■	■

* Indicated loads are based on ISO 10567 and do not exceed 75% of tipping or 87% of hydraulic capacity, max. stick length without quick coupler, lifted 360° on firm with blocked oscillating axle

¹⁾ comparable with SAE (heaped)

²⁾ with 2 x 50° rotator

³⁾ rigid ditch cleaning bucket

Max. material weight ■ = ≤ 3,034 lb/yd³, ■ = ≤ 2,528 lb/yd³, △ = ≤ 2,023 lb/yd³, - = not authorized

Equipments

Tilt Buckets

Tilt Buckets Machine stability per ISO 10567* (75% of tipping capacity)

Cutting width in	Capacity ISO 7451 ¹⁾ yd ³	Weight lb	Stabilizers raised			Rear blade down			Rear outriggers + front blade down			EW Stabilizers raised			EW Rear blade down			EW Rear outriggers + front blade down		
			Stick length (ft in)			Stick length (ft in)			Stick length (ft in)			Stick length (ft in)			Stick length (ft in)			Stick length (ft in)		
			7'5"	8'	8'8"	7'5"	8'	8'8"	7'5"	8'	8'8"	7'5"	8'	8'8"	7'5"	8'	8'8"	7'5"	8'	8'8"
Two-piece boom 16'7"																				
59.1 ²⁾	0.78	1,455	■	■	■	■	■	■	■	■	■	■	■	■	■	■	■	■	■	
63.0 ²⁾	1.05	1,631	■	△	△	■	■	■	■	■	■	■	■	■	■	■	■	■	■	
Mono boom 16'5"																				
59.1 ²⁾	0.78	1,455	■	■	■	■	■	■	■	■	■	■	■	■	■	■	■	■	■	
63.0 ²⁾	1.05	1,631	■	△	△	■	■	■	■	■	■	■	■	■	■	■	■	■	■	
Offset two-piece boom 16'5"																				
59.1 ²⁾	0.78	1,455	■	■	–	■	■	–	■	■	–	■	■	–	■	■	–	■	■	–
63.0 ²⁾	1.05	1,631	△	–	–	■	△	–	■	■	–	■	△	–	■	■	–	■	■	–
Offset mono boom 16'1"																				
59.1 ²⁾	0.78	1,455	■	■	■	■	■	■	■	■	■	■	■	■	■	■	■	■	■	■
63.0 ²⁾	1.05	1,631	△	△	△	■	■	■	■	■	■	■	■	■	■	■	■	■	■	■

* Indicated loads are based on ISO 10567 and do not exceed 75% of tipping or 87% of hydraulic capacity, max. stick length without quick coupler, lifted 360° on firm with blocked oscillating axle
¹⁾ comparable with SAE (heaped)
²⁾ with 2 x 50° rotator

Max. material weight ■ = ≤ 3,034 lb/yd³, ■ = ≤ 2,528 lb/yd³, △ = ≤ 2,023 lb/yd³, – = not authorized

Equipment

Undercarriage

Dual-circuit braking system	•
Rear stabilizer blade	+
Rear + front stabilizer blade	+
Lighting trailer coupling	+
Trailer coupling with bolt, automatic	+
Digging brake, automatic	•
Tires (twin tires) Liebherr EM 22 290/90-20	+
Tires (twin tires) Mitas EM 22	•
Individual control outriggers	+
Travel speed levels (four)	•
Tilt function of trailer, hydraulic	+
Mudguards (rear and front)	+
Load holding valve on each stabilization cylinder	•
Powershift transmission, semiautomatic	•
Parking brake, maintenance-free	•
Rear outriggers + front stabilizer blade	+
Tires, variants	+
Protection for piston rods, stabilizer cylinder	+
Speeder**	+
Storage compartment left – lockable	•
Storage compartment right – lockable	+
Undercarriage EW 9'	+
Tool equipment, extended	+

Uppercarriage

Uppercarriage rear light, 2 pieces, LED	+
Uppercarriage right side light, 1 piece, LED	+
Refuelling system with filling pump	+
Main battery switch for electrical system	•
Engine hood with gas spring	•
Amber beacon, at uppercarriage, LED double flash	+
Service doors, lockable	•

Hydraulic System

Shut-off valve between hydraulic tank and pump(s)	•
Pressure test fittings	•
Accumulator for controlled lowering of the equipment with the engine shut down	•
Hydraulic oil filter with integrated microfilter	•
Liebherr hydraulic oil from -4 °F to +104 °F	•
Liebherr hydraulic oil, biologically degradable	+
Liebherr hydraulic oil, specially for warm or cold regions	+
Bypass filter	+
Switchover high pressure circuit and tipping cylinder	+
Switchover high pressure circuit and two-piece boom	+

Diesel Engine

Fuel anti-theft device	+
Liebherr particle filter	+
Reversible fan drive, fully automatic	+
Automatic engine shut-down (time adjustable)	+
Preheating fuel	+
Preheating coolant*	+

Operator's Cab

Storage compartment	•
Stabilizer, proportional control on left joystick	•
Cab lights rear, halogen	+
Cab lights rear, LED	+
Cab lights front, halogen (above rain cover)	+
Cab lights front, halogen (under rain cover)	•
Cab lights front, LED (above rain cover)	+
Cab lights front, LED (under rain cover)	+
Exterior mirror, electrical adjustable, with heating	+
Mechanical hour meters, readable from outside the cab	•
Roof window made from impact-resistant laminated safety glass	•
Slewing gear brake Comfort, button on the left or right joystick	+
Operator's seat Standard	•
Operator's seat Comfort	+
Operator's seat Premium	+
Driving alarm (acoustic signal is emitted during travel, can be switched ON/OFF)	+
Fire extinguisher	+
Front screen made from impact-resistant laminated safety glass – not adjustable	+
Windscreen retractable (including upper part)	•
Intermittent windscreen wiper with wiper washer	•
Cruise control	•
Joystick steering	+
Automatic air conditioning	•
Fuel consumption indicator	•
Electric cooler	+
Steering wheel, wide version (cost-neutral option)	+
Steering column adjustable horizontally	•
LiDAT, vehicle fleet management	•
Positioning swing brake	+
Proportional control	•
Radio Comfort, control via display with handsfree set	+
Preparation for radio installation	•
Rain cover over front window opening	•
ROPS cab protection	•
Back-up alarm (acoustic signal is emitted traveling backward, can not be switched off)	+
Amber beacon, on cabin, LED double flash	+
All tinted windows	•
Windscreen wiper, roof	+
Windshield wiper, entire windscreen	•
Door with sliding window	•
Top guard	+
Front guard	+
Right side window and windshield made from laminated safety glass	•
Sun visor	+
Sun blind	•
Auxiliary heating, adjustable (week time switch)	+
Left control console, folding	•
Electronic immobilizer	+
Cigarette lighter	•



Equipment

Boom lights, 2 pieces, halogen	•
Boom lights, 2 pieces, LED	+
Stick lights, 2 pieces, LED	+
Travel vibration damper	+
High pressure circuit incl. unpressurized return line and Tool Control	+
Electronic lift limitation	+
Hydraulic circuit, extended	+
Load holding valve bucket cylinder	+
Load lug on stick	+
Leak oil line, additional for attachments	+
Liebherr ditch cleaning bucket	+
Liebherr quick coupler, hydraulic or mechanical	+
Liebherr tilt bucket	+
Liebherr tilt rotator	+
Liebherr sorting grab	+
Liebherr backhoe bucket	+
Liebherr tooth system	+
Liebherr clamshell grab	+
Medium pressure circuit incl. lines	+
Mono boom	+
Offset mono boom	+
Pipe fracture safety valves hoist cylinders	•
Pipe fracture safety valve stick cylinder	•
Hose quick coupling at end of stick	•
Quick coupling system LIKUFIX	+
Protection for piston rod, bucket cylinder	+
Protection for bottom side of stick	+
Tool Control, 20 attachment adjustments selectable over the display	+
Overload warning device	•
Two-piece boom	+
Offset two-piece boom	+



Complete Machine

Lubrication	
Lubrication undercarriage, manually – decentralized (grease points)	•
Lubrication undercarriage, manually – centralized (one grease point)	+
Central lubrication system for uppercarriage and equipment, automatically (without quick coupler and connecting link) *	•
Central lubrication system, extension for quick coupler	+
Central lubrication system, extension for connecting link	+
Special coating	
Custom painting for attachments	+
Special coating, variants	+
Monitoring	
Rear view monitoring with camera	•
Side view monitoring with camera	•
Skyview 360° (side camera not available)	+

• = Standard, + = Option

* = country-dependent, ** = depending upon the country partially only 15.5 mph permitted

Options and / or special equipments, supplied by vendors other than Liebherr, are only to be installed with the knowledge and approval of Liebherr in order to retain warranty.

The Liebherr Group of Companies



Diverse Product Range

The Liebherr Group is one of the largest construction equipment manufacturers in the world. Liebherr's quality products and services hold a high reputation in many industries. The wide range includes domestic appliances, aerospace and transportation systems, machine tools and maritime cranes.

Exceptional Customer Benefit

Every product line provides a complete range of models in many different versions. With both their technical excellence and superior quality, Liebherr products offer customers the highest benefits in practical applications.

State-of-the-art Technology

Liebherr attributes great importance to the product areas of core technology and components, in order to achieve its consistent, top-quality products. Important modules and components are developed and manufactured in-house, for instance, the entire drive and control technology for the construction equipment and mining trucks.

Worldwide and Family-Owned

Hans Liebherr founded the Liebherr family company in 1949. Since that time, the enterprise has steadily grown to a group of more than 130 companies with more than 46,000 employees located on all continents. The corporate headquarters of the Group is Liebherr-International AG in Bulle, Switzerland. The Liebherr family is the sole owner of the company.

www.liebherr.us

Liebherr USA, Co.

Construction Equipment Division
4100 Chestnut Avenue, Newport News, VA 23607, USA
☎ +1 (757) 245 5251, Fax +1 (757) 928 8701
www.liebherr.us, E-Mail: Construction.USA@liebherr.com
www.facebook.com/LiebherrConstruction