

A large orange Hitachi excavator is shown in a rugged, rocky environment. The excavator's arm is extended, and its bucket is partially visible on the left. The background features a body of water, a forested shoreline, and a blue sky with scattered clouds. The excavator's body is prominently displayed, with the "HITACHI" logo clearly visible on the boom. The overall scene conveys a sense of heavy-duty construction or mining work in a natural setting.

# HITACHI

**ZX670LC-6**  
**ZX870LC-6**

**PRODUCTION EXCAVATORS**





# PROVEN PERFORMANCE PASSED DO

Just like our large mining excavators, the ZX670LC-6 and ZX870LC-6 are built for efficiency, reliability and durability on all jobs. You get an EPA Final Tier 4 (FT4)/EU Stage IV Isuzu engine – no diesel particulate filter (DPF) needed. Smooth hydraulics and an efficient cooling system. And simplified maintenance with features like a battery disconnect switch and engine and hydraulic oil sample ports.

These excavators are

■ **POWERFUL  
WORKHORSES.**



ZX670LC-6  
ZX870LC-6

OWN.

ZA/IS  
870<sup>LC</sup>

HITAC

ZX670LC-6  
ZX870LC-6

# MORE WORK DONE, MORE EFFICIENTLY.

The ZX670LC-6 and ZX870LC-6 take productivity to a higher level. Our HIOS III hydraulic system perfectly balances engine performance with hydraulic flow. The hydraulic boost system and enhanced boom recirculation generate aggressive boom and arm speed – returning the arm to dig faster, so you can move more dirt in a day.

Three modes provide efficient power to fit the task. High Productivity (H/P) delivers more power and faster hydraulic response. Power (PWR) delivers a balance of power and speed, plus fuel economy for normal operation. Economy (ECO) maximizes fuel efficiency while delivering an enhanced level of productivity.

Get ready for  
■ **NEXT-LEVEL PRODUCTIVITY.**



#### SWING-OUT COOLERS

Swing-out coolers, protected behind heavy-duty hinged doors, are easy to access and clean.



#### COOLANT EXPANSION TANK

An added coolant expansion tank provides make-up fluid when needed and improves cooling system efficiency, keeping the engine at peak performance.



#### ADDITIONAL LIGHTING

Cab-mounted lights, two boom-mounted lights and a rearview camera provide excellent job site visibility, regardless of when or where you work.



#### MAXIMUM PRODUCTIVITY

Stay on schedule with generous swing torque, digging force and lift capacity.





#### **POWER BOOST**

Muscle through tough digging by pressing the power-boost button.

#### **SMOOTH OPERATION**

It's not always about brute force. Unmatched metering and smooth multifunction operation provide finesse and precision.





#### **ZXLINK™**

The ZX670LC-6 and ZX870LC-6 are standard equipped with five years of ZXLink™ Ultimate, which gives you 24/7 online access to machine locations, health, utilization, fuel consumption and other valuable information.

#### **CLIMATE CONTROL**

Automatic, high-velocity bi-level climate-control system with automotive-style adjustable louvers helps keep the glass clear, the cab comfortable and the operator productive.

#### **ADJUSTABLE SEATING**

Operators get maximum support from a heated, air suspension high-back seat.

#### **ATTACHMENT MODE**

Control oil flow and toggle between dig and thumb modes with a programmable thumb attachment mode.

ZX670LC-6  
ZX870LC-6

# MAXIMUM COMFORT. MAXIMUM PRODUCTIVITY.

It's true – comfortable operators are more productive. And operators are set for success inside our spacious cab with a fully adjustable sculpted seat. Silicone-filled cab mounts isolate noise and vibration. An LCD monitor, low-effort controls, expanded visibility and more features contribute to productivity.

These cabs are designed for  
■ **COMFORTABLE UPTIME.**



#### **SIMPLE MONITORING**

Multi-language LCD monitor and rotary dial provide easy access to machine info and functions. Turn and tap to select work modes, monitor maintenance intervals, check diagnostic codes and set cab temperature.



#### **SMOOTH OPERATION**

Ergonomically correct short-throw pilot levers provide smooth, precise control with less effort.



#### **CLEAR VIEWS**

Get unobstructed all-around visibility thanks to a wide expanse of front, side and overhead glass and mirrors.



ZX670LC-6  
ZX870LC-6

# LESS MAINTENANCE TIME. MORE UPTIME.

The ZX670LC-6 and ZX870LC-6 are equipped with time-saving and productivity-boosting advantages — from grouped service points to at-a-glance gauges. You get convenient machine access with steps, handrails and walkways. Extended service intervals lower daily operating costs. Scheduled maintenance is easy to track using ZXLink™ and the in-cab diagnostic monitor.

These hardworking machines give you  
■ **LOWER OPERATING COSTS.**



#### MONITOR LEVELS

Easy-to-navigate LCD monitor tracks various fluid levels and issues, scheduled maintenance alerts and diagnostic information.



#### EFFICIENT FUEL FILTERS

Easily installed spin-on main fuel filters help prevent contamination when servicing. Two additional water separators help extend fuel filter life.



#### REVERSING FAN

A reversing fan back-blows cooler cores to reduce debris buildup and increase uptime.



#### CENTRALIZED SERVICING

Centralized lube banks place zerks within easy reach, making greasing less messy and time-consuming.





#### **EASY ACCESS**

Step positioning on the track frame and walkways on the upperstructure allow for easy access around the machine while maintaining appropriate points of contact.

#### **AUTO-IDLE & AUTO-SHUTDOWN**

Auto-idle, which reduces engine speed when hydraulics aren't in use, and auto-shutdown contribute to fuel efficiency.

#### **BATTERY DISCONNECT SWITCH**

A battery disconnect switch, located in the battery box on the right side of the machine, is easily accessible and extends battery life.

#### **FT4 ENGINE SOLUTION**

The FT4 engine solution does not require a diesel particulate filter (DPF), saving service time and lowering operating costs. Fluid consumption (fuel and diesel exhaust fluid [DEF]) is equal or reduced compared to ZX670LC-5 or ZX870LC-5 (Interim Tier 4/EU Stage IIIB) consumption.





**SAMPLE PORTS**

Engine and hydraulic oil sample ports allow for quick and convenient, proactive maintenance checks, which keep you running longer.

**CUSTOMIZATION**

Need extra stability or lift capacity? Choose from a wide variety of track widths, arm lengths, boom lengths and bucket sizes.

**FT4 TECHNOLOGY**

Our FT4 field-proven technology is simple and efficient, employing cooled exhaust gas recirculation (EGR), a diesel oxidation catalyst (DOC) and selective catalytic reduction (SCR). An improved piston design allows particulate matter to be burned in cylinder, so there's no need for a DPF.



ZX670LC-6  
ZX870LC-6

# DURABILITY BUILT-IN, DOWNTIME TOSSED OUT.

Toughness is built into the ZX670LC-6 and ZX870LC-6 with a heavyduty undercarriage and durable D-channel mainframe. Added strength comes from welded bulkheads within the boom that resist torsional stress.

The boom, arm and mainframe are so tough, they're warranted for three years or 10,000 hours, whichever comes first.

These excavators give you  
■ **DEPENDABLE DURABILITY.**



## ROCK-SOLID DURABILITY

Thick-plate single-sheet mainframe, box-section track frames and industry exclusive double-seal swing bearings deliver rock-solid durability.



## LONGLASTING UNDERCARRIAGE

With large idlers, rollers and strutted track links, the sealed and lubricated undercarriage is built for the long haul.



## SPECIFICATIONS

### ZX670LC-6

<b>Engine</b>	<b>ZX670LC-6</b>		
Manufacturer and Model	Isuzu 6WGI-FT4		
Non-Road Emission Standard	EPA Final Tier 4/EU Stage IV		
Net Rated Power (ISO 9249)	345 kW (463 hp) @ 1,800 rpm		
Cylinders	6		
Displacement	15.68 L (957 cu. in.)		
Off-Level Capacity	70% (35 deg.)		
Aspiration	Turbocharged, air-to-air charge-air cooler		
<b>Cooling</b>			
2 cool-on-demand hydraulic-driven, suction-type fans with remote-mounted drives			
<b>Powertrain</b>			
2-speed propel			
Maximum Travel Speed			
Low	3.6 km/h (2.2 mph)		
High	5.2 km/h (3.2 mph)		
Drawbar Pull	46 115 kg (101,666 lb.)		
<b>Hydraulics</b>			
Open center, load sensing			
<b>Main Pumps</b>	2 variable-displacement pumps		
Maximum Rated Flow	489 L/m (129 gpm) x 2		
<b>Pilot Pump</b>	One gear		
Maximum Rated Flow	30 L/m (7.9 gpm)		
Pressure Setting	3900 kPa (566 psi)		
<b>System Operating Pressure</b>			
Circuits			
Implement	31 900 kPa (4,627 psi)		
Travel	34 300 kPa (4,975 psi)		
Swing	29 400 kPa (4,264 psi)		
Power Boost	34 300 kPa (4,975 psi)		
<b>Controls</b>	Pilot levers, short-stroke, low-effort hydraulic pilot controls with shutoff lever		
<b>Cylinders</b>			
Heat-treated, chrome-plated, polished cylinder rods, hardened steel (replaceable bushings) pivot pins			
	<b>Bore</b>	<b>Rod Diameter</b>	<b>Stroke</b>
<b>Boom (2)</b>	191 mm (7.5 in.)	130 mm (5.1 in.)	1806 mm (71 in.)
<b>Arm (1)</b>	201 mm (7.9 in.)	140 mm (5.5 in.)	2164 mm (85 in.)
<b>Bucket (1)</b>	180 mm (7.1 in.)	130 mm (5.1 in.)	1555 mm (61 in.)
<b>Electrical</b>			
Number of Batteries (12 volt)	2		
Battery Capacity	500 CCA		
Alternator Rating	50 amp		
Work Lights	5 halogen (1 mounted on frame, 2 mounted on boom and 2 mounted on top of cab)		
<b>Undercarriage</b>			
<b>Rollers (each side)</b>			
Carrier	3		
Track	8		
Double-Bar Grouser Shoes (each side)	47		
<b>Track</b>			
Adjustment	Hydraulic		
Guides	Front and center		
Chain	Sealed and lubricated		
Planetary Final Drives with Axial Piston Motors			

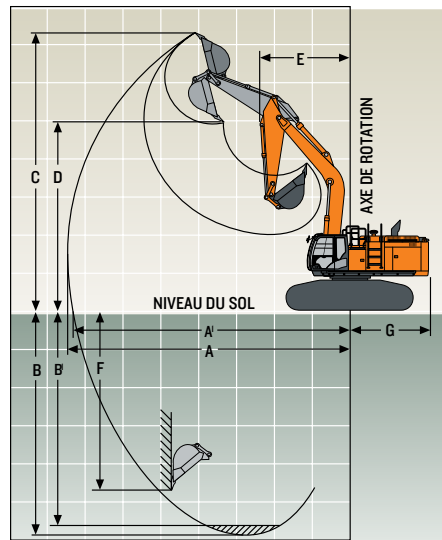


<b>Ground Pressure</b>	<b>ZX670LC-6</b>
650-mm (26 in.) Double-Bar Grouser Shoes	104.2 kPa (15.1 psi)
750-mm (30 in.) Double-Bar Grouser Shoes	90.3 kPa (13.1 psi)
900-mm (36 in.) Double-Bar Grouser Shoes	75.3 kPa (10.9 psi)
<b>Swing Mechanism</b>	
Swing Speed	9.1 rpm
Swing Torque	206 000 Nm (151,938 lb.-ft.)
<b>Serviceability</b>	
<b>Refill Capacities</b>	
Fuel Tank	900 L (238 gal.)
Diesel Exhaust Fluid (DEF) Tank	95 L (25.1 gal.)
Cooling System	76 L (20.1 gal.)
Engine Oil with Filter	57 L (15.1 gal.)
Hydraulic Tank	380 L (100.4 gal.)
Hydraulic System	750 L (198.1 gal.)
<b>Gearbox</b>	
Swing (each)	10.5 L (11.1 qt.)
Travel (each)	16 L (16.9 qt.)
Pump Drive	6.2 L (6.6 qt.)
<b>Operating Weights</b>	
With full fuel tank; 79-kg (175 lb.) operator; 3.09-m <sup>3</sup> (4.04 cu. yd.), 1370-mm (54 in.), 3126-kg (6,892 lb.) bucket; 4.2-m (13 ft. 9 in.) arm; 9800-kg (21,605 lb.) counterweight; counterweight removal device; and 900-mm (36 in.) double-bar grouser shoes	
SAE Operating Weight	69 900 kg (154,103 lb.)
<b>Components</b>	
<b>Undercarriage w/ Double-Bar Grouser Shoes</b>	
650 mm (26 in.)	26 953 kg (59,421 lb.)
750 mm (30 in.)	27 333 kg (60,259 lb.)
900 mm (36 in.)	28 353 kg (62,508 lb.)
<b>One-Piece Boom (with arm cylinder)</b>	
7.8 m (25 ft. 7 in.)	6560 kg (14,462 lb.)
6.8-m (22 ft. 4 in.) Mass Excavating	6130 kg (13,514 lb.)
<b>Arm with Bucket Cylinder and Linkage</b>	
3.6 m (11 ft. 10 in.)	3640 kg (8,025 lb.)
4.2 m (13 ft. 9 in.)	3840 kg (8,466 lb.)
5.3 m (17 ft. 5 in.)	3620 kg (7,981 lb.)
2.9-m (9 ft. 6 in.) Mass Excavating	3715 kg (8,190 lb.)
<b>Boom-Lift Cylinders (2), Total Weight</b>	1135 kg (2,502 lb.)
<b>Counterweight with Standard Mainframe</b>	10 400 kg (22,928 lb.)

## SPECIFICATIONS

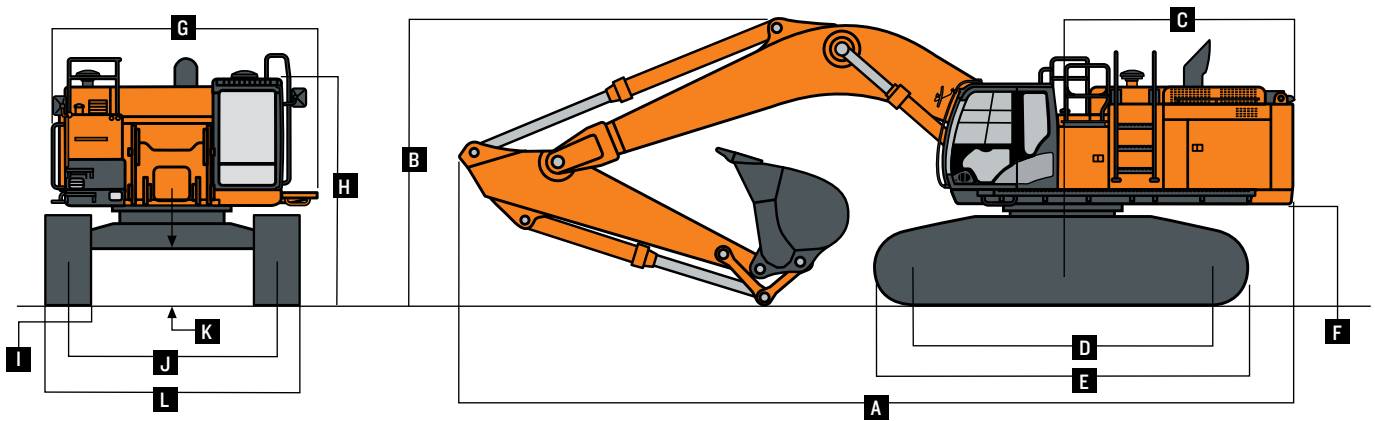
### ZX670LC-6

Operating Dimensions		ZX670LC-6			
Arm Length		3.6 m (11 ft. 10 in.) w/ 7.8-m (25 ft. 7 in.) Boom	4.2 m (13 ft. 9 in.) w/ 7.8-m (25 ft. 7 in.) Boom	5.3 m (17 ft. 5 in.) w/ 7.8-m (25 ft. 7 in.) Boom	2.9-m (9 ft. 6 in.) Mass Excavating w/ 6.8-m (22 ft. 4 in.) Mass-Excavating Boom
<b>Arm Digging Force</b>					
SAE		247 kN (55,528 lb.)	224 kN (50,357 lb.)	192 kN (43,163 lb.)	297 kN (66,768 lb.)
ISO		255 kN (57,326 lb.)	231 kN (51,931 lb.)	196 kN (44,063 lb.)	306 kN (68,792 lb.)
<b>Bucket Digging Force</b>					
SAE		290 kN (65,195 lb.)	290 kN (65,195 lb.)	245 kN (55,078 lb.)	332 kN (74,637 lb.)
ISO		324 kN (72,838 lb.)	324 kN (72,838 lb.)	277 kN (62,272 lb.)	369 kN (82,954 lb.)
A	Maximum Reach	13.25 m (43 ft. 6 in.)	13.85 m (45 ft. 5 in.)	14.74 m (48 ft. 4 in.)	11.81 m (38 ft. 9 in.)
A'	Maximum Reach at Ground Level	13 m (42 ft. 8 in.)	13.61 m (44 ft. 8 in.)	14.51 m (47 ft. 7 in.)	11.50 m (37 ft. 9 in.)
B	Maximum Digging Depth	8.53 m (28 ft.)	9.15 m (30 ft.)	10.03 m (32 ft. 11 in.)	7.12 m (23 ft. 4 in.)
B'	Maximum Digging Depth at 2.44-m (8 ft.) Flat Bottom	8.40 m (27 ft. 7 in.)	9.03 m (29 ft. 8 in.)	9.92 m (32 ft. 7 in.)	6.97 m (22 ft. 10 in.)
C	Maximum Cutting Height	11.92 m (39 ft. 1 in.)	12.24 m (40 ft. 2 in.)	12.65 m (41 ft. 6 in.)	11.92 m (39 ft. 1 in.)
D	Maximum Dumping Height	8.05 m (26 ft. 5 in.)	8.33 m (27 ft. 4 in.)	9.17 m (30 ft. 1 in.)	7.33 m (24 ft. 1 in.)
E	Minimum Swing Radius	5.78 m (19 ft.)	5.76 m (18 ft. 11 in.)	5.70 m (18 ft. 8 in.)	5.24 m (17 ft. 2 in.)
F	Maximum Vertical Wall	7.38 m (24 ft. 3 in.)	8.18 m (26 ft. 10 in.)	9.17 m (30 ft. 1 in.)	5.28 m (17 ft. 4 in.)
G	Tail Swing Radius	4.02 m (13 ft. 2 in.)	4.02 m (13 ft. 2 in.)	4.02 m (13 ft. 2 in.)	4.02 m (13 ft. 2 in.)





Machine Dimensions		ZX670LC-6
<b>A</b> Overall Length w/ Arm	3.6 m (11 ft. 10 in.)	13.40 m (44 ft.)
	4.2 m (13 ft. 9 in.)	13.40 m (44 ft.)
	5.3 m (17 ft. 5 in.)	13.25 m (43 ft. 6 in.)
	2.9-m (9 ft. 6 in.) Mass Excavating with Mass-Excavating Boom	12.42 m (40 ft. 9 in.)
<b>B</b> Overall Height w/ Arm	3.6 m (11 ft. 10 in.)	4.46 m (14 ft. 8 in.)
	4.2 m (13 ft. 9 in.)	4.98 m (16 ft. 4 in.)
	5.3 m (17 ft. 5 in.)	5.28 m (17 ft. 4 in.)
	2.9-m (9 ft. 6 in.) Mass Excavating with Mass-Excavating Boom	4.96 m (16 ft. 3 in.)
<b>C</b> Rear-End Length		3.91 m (12 ft. 10 in.)
<b>D</b> Distance Between Idler/Sprocket Centerline		4.59 m (15 ft. 1 in.)
<b>E</b> Undercarriage Length		5.84 m (19 ft. 2 in.)
<b>F</b> Counterweight Clearance		1.53 m (5 ft.)
<b>G</b> Upperstructure Width		4.09 m (13 ft. 5 in.)
<b>H</b> Cab Height		3.55 m (11 ft. 8 in.)
<b>I</b> Track Width w/ Double-Bar Grouser Shoes		650 mm (26 in.) / 750 mm (30 in.) / 900 mm (36 in.)
<b>J</b> Gauge Width w/900-mm (36 in.) Double-Bar Grouser Shoes	Operating Position	3.30 m (10 ft. 10 in.)
	Transport Position	2.82 m (9 ft. 3 in.)
<b>K</b> Ground Clearance		0.86 m (34 in.)
<b>L</b> Overall Width w/ 900-mm (36 in.) Double-Bar Grouser Shoes	Operating Position	4.20 m (13 ft. 9 in.)
	Transport Position	3.73 m (12 ft. 3 in.)



# SPECIFICATIONS

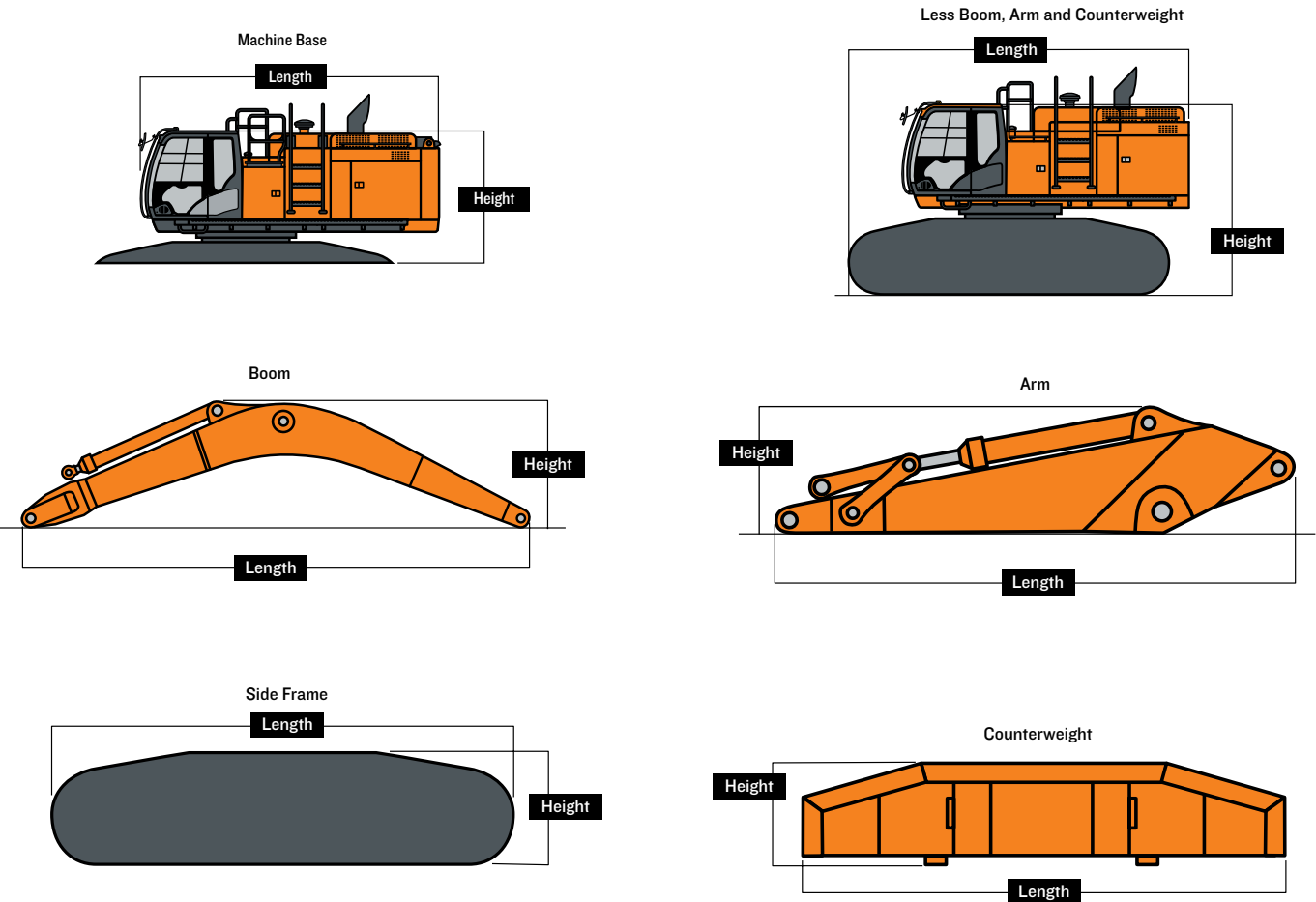
## ZX670LC-6

### Packing Dimensions and Weights for Transportation

Base Machine (without front attachment and side frame)*	Length	Height	Overall Width	Weight
	5.68 m (18 ft. 8 in.)	2.77 m (9 ft. 1 in.)	3.42 m (11 ft. 3 in.)	21 400 kg (47,179 lb.)
<b>Side Frame**</b>				
650-mm (26 in.) Shoe Width	5.85 m (19 ft. 2 in.)	1.45 m (4 ft. 9 in.)	1.25 m (4 ft. 1 in.)	10 400 kg (22,928 lb.)
750-mm (30 in.) Shoe Width	5.85 m (19 ft. 2 in.)	1.45 m (4 ft. 9 in.)	1.25 m (4 ft. 1 in.)	10 600 kg (23,369 lb.)
900-mm (36 in.) Shoe Width	5.85 m (19 ft. 2 in.)	1.45 m (4 ft. 9 in.)	1.32 m (4 ft. 4 in.)	11 100 kg (24,471 lb.)
<b>Counterweight, Standard</b>	3.36 m (11 ft.)	1.55 m (5 ft. 1 in.)	0.59 m (23 in.)	10 400 kg (22,928 lb.)
<b>Boom</b>				
6.8 m (22 ft. 4 in.)	7.14 m (23 ft. 5 in.)	2.51 m (8 ft. 3 in.)	1.39 m (4 ft. 7 in.)	6130 kg (13,514 lb.)
7.8 m (25 ft. 7 in.)	8.13 m (26 ft. 8 in.)	2.33 m (7 ft. 8 in.)	1.39 m (4 ft. 7 in.)	6560 kg (14,462 lb.)
<b>Arm</b>				
2.9-m (9 ft. 6 in.) Mass Excavating	4.37 m (14 ft. 4 in.)	1.69 m (5 ft. 7 in.)	0.80 m (31 in.)	3715 kg (8,190 lb.)
3.6 m (11 ft. 10 in.)	5.11 m (16 ft. 9 in.)	1.44 m (4 ft. 9 in.)	0.80 m (31 in.)	3640 kg (8,025 lb.)
4.2 m (13 ft. 9 in.)	5.71 m (18 ft. 9 in.)	1.39 m (4 ft. 7 in.)	0.80 m (31 in.)	3840 kg (8,466 lb.)
5.3 m (17 ft. 5 in.)	6.73 m (22 ft. 1 in.)	1.26 m (4 ft. 2 in.)	0.80 m (31 in.)	3620 kg (7,981 lb.)
<b>Length Less Boom, Arm and Counterweight</b>	6.70 m (22 ft.)	3.68 m (12 ft. 1 in.) / 3.76 m (12 ft. 4 in.) without exhaust stack	3.48 m (11 ft. 5 in.) w/ 650-mm (26 in.) shoes / 3.58 m (11 ft. 9 in.) w/ 750-mm (30 in.) shoes / 3.73-m (12 ft. 3 in.) w/ 900-mm (36 in.) shoes	43 999 kg (97,000 lb.) w/ 650-mm (26 in.) shoes / 44 402 kg (97,890 lb.) w/ 750-mm (30 in.) shoes / 45 404 kg (100,100 lb.) w/ 900-mm (36 in.) shoes

\*Steps on the track frame, exhaust stack, side hydraulic oil tank, handrails and upper fuel tank must be removed to comply with the width dimensions above.

\*\*The dimensions and the weights indicate those of one side frame.





**Lift Charts**

**ZX670LC-6**

**Boldface type indicates hydraulically limited capacity; lightface type indicates stability-limited capacities, in kg (lb.). Ratings at bucket lift hook; machine equipped with standard gauge and situated on firm, uniform supporting surface. Total load includes weight of cables, hook, etc. Figures do not exceed 87 percent of hydraulic capacities or 75 percent of weight needed to tip machine. All lift capacities are based on ISO 10567 (with power boost).**

Load Point Height	3.0 m (10 ft.)		4.5 m (15 ft.)		6.0 m (20 ft.)		7.5 m (25 ft.)		9.0 m (30 ft.)		10.5 m (35 ft.)	
Horizontal Distance from Centerline of Rotation	Over Front	Over Side	Over Front	Over Side	Over Front	Over Side	Over Front	Over Side	Over Front	Over Side	Over Front	Over Side
With 2.5-m <sup>3</sup> (3.3 cu. yd.) bucket, 4.2-m (13 ft. 9 in.) arm, 7.8-m (25 ft. 7 in.) boom, and 650-mm (26 in.) double-bar grouser shoes												
7.5 m (25 ft.)									<b>10 880</b>	<b>10 880</b>	<b>6780</b>	<b>6780</b>
									(23,790)	(23,790)		
6.0 m (20 ft.)									<b>11 700</b>	<b>11 700</b>	<b>10 070</b>	8980
									(25,460)	(25,460)	(20,250)	(19,170)
4.5 m (15 ft.)					<b>18 420</b>	<b>18 420</b>	<b>14 850</b>	<b>14 850</b>	<b>12 770</b>	11 620	<b>11 490</b>	8760
			(54,750)	(54,750)	(39,600)	(39,600)	(32,080)	(32,080)	(27,710)	(24,970)	(25,020)	(18,730)
3.0 m (10 ft.)					<b>21 780</b>	<b>21 380</b>	<b>16 790</b>	<b>15 010</b>	<b>13 940</b>	11 100	<b>12 150</b>	8450
					(46,870)	(46,090)	(36,260)	(32,310)	(30,190)	(23,860)	(26,400)	(18,120)
1.5 m (5 ft.)					<b>24 280</b>	<b>20 160</b>	<b>18 420</b>	<b>14 250</b>	<b>14 970</b>	10 630	<b>12 040</b>	8170
					(52,390)	(43,420)	(39,820)	(30,680)	(32,420)	(22,850)	(25,850)	(17,520)
Ground Line			<b>14 150</b>	<b>14 150</b>	<b>25 550</b>	<b>19 440</b>	<b>19 470</b>	<b>13 720</b>	<b>15 170</b>	<b>10 270</b>	<b>11 800</b>	7950
			(32,800)	(32,800)	(55,260)	(41,810)	(42,130)	(29,510)	(32,610)	(22,070)	(25,360)	(17,050)
-1.5 m (-5 ft.)	<b>10 800</b>	<b>10 800</b>	<b>19 890</b>	<b>19 890</b>	<b>25 670</b>	<b>19 120</b>	<b>19 800</b>	<b>13 420</b>	<b>14 940</b>	<b>10 050</b>	<b>11 680</b>	7830
	(24,430)	(24,430)	(45,600)	(45,600)	(55,570)	(41,090)	(42,840)	(28,850)	(32,110)	(21,610)	(25,120)	(16,820)
-3.0 m (-10 ft.)	<b>17 780</b>	<b>17 780</b>	<b>27 900</b>	<b>27 900</b>	<b>24 710</b>	<b>19 090</b>	<b>19 270</b>	<b>13 340</b>	<b>14 880</b>	<b>10 000</b>		
	(40,170)	(40,170)	(63,880)	(63,880)	(53,470)	(41,010)	(41,640)	(28,680)	(32,010)	(21,520)		
-4.5 m (-15 ft.)	<b>26 090</b>	<b>26 090</b>	<b>29 340</b>	<b>29 340</b>	<b>22 540</b>	<b>19 310</b>	<b>17 630</b>	<b>13 480</b>	<b>13 570</b>	<b>10 180</b>		
	(59,140)	(59,140)	(63,390)	(63,390)	(48,600)	(41,510)	(37,850)	(29,010)	(28,680)	(21,960)		
-6.0 m (-20 ft.)			<b>23 970</b>	<b>23 970</b>	<b>18 550</b>	<b>18 550</b>	<b>13 910</b>	<b>13 910</b>				
			(51,240)	(51,240)	(39,460)	(39,460)	(28,970)	(28,970)				
With 3.5-m <sup>3</sup> (4.6 cu. yd.) bucket, 2.9-m (9 ft. 6 in.) BE arm, 6.8-m (22 ft. 4 in.) BE boom, and 650-mm (26 in.) double-bar grouser shoes												
7.5 m (25 ft.)							<b>14 400</b>	<b>14 400</b>				
							(31,610)	(31,610)				
6.0 m (20 ft.)					<b>17 530</b>	<b>17 530</b>	<b>15 280</b>	<b>15 280</b>				
					(37,890)	(37,890)	(33,220)	(33,220)				
4.5 m (15 ft.)					<b>20 470</b>	<b>20 470</b>	<b>16 700</b>	<b>15 250</b>	<b>14 650</b>	<b>10 920</b>		
					(44,110)	(44,110)	(36,200)	(32,780)	(31,940)	(23,330)		
3.0 m (10 ft.)					<b>23 430</b>	<b>21 030</b>	<b>18 260</b>	<b>14 580</b>	<b>15 370</b>	<b>10 630</b>		
					(50,520)	(45,280)	(39,520)	(31,340)	(33,390)	(22,790)		
1.5 m (5 ft.)					<b>25 430</b>	<b>20 100</b>	<b>19 480</b>	<b>14 020</b>	<b>15 260</b>	<b>10 330</b>		
					(54,940)	(43,230)	(42,140)	(30,130)	(32,750)	(22,160)		
Ground Line					<b>26 020</b>	<b>19 610</b>	<b>19 950</b>	<b>13 670</b>	<b>15 070</b>	<b>10 150</b>		
					(56,320)	(42,140)	(43,140)	(29,370)	(32,390)	(21,820)		
-1.5 m (-5 ft.)			<b>33 520</b>	<b>32 190</b>	<b>25 150</b>	<b>19 490</b>	<b>19 300</b>	<b>13 560</b>				
			(72,780)	(68,930)	(54,430)	(41,870)	(41,640)	(29,160)				
-3.0 m (-10 ft.)	<b>34 290</b>	<b>34 290</b>	<b>29 560</b>	<b>29 560</b>	<b>22 510</b>	<b>19 710</b>	<b>16 670</b>	<b>13 790</b>				
	(77,980)	(77,980)	(63,980)	(63,980)	(48,500)	(42,350)	(35,280)	(29,730)				
-4.5 m (-15 ft.)			<b>22 630</b>	<b>22 630</b>	<b>16 490</b>	<b>16 490</b>						
			(48,280)	(48,280)	(34,300)	(34,300)						
With 2.5-m <sup>3</sup> (3.3 cu. yd.) bucket, 4.2-m (13 ft. 9 in.) arm, 7.8-m (25 ft. 7 in.) boom, and 750-mm (30 in.) double-bar grouser shoes												
7.5 m (25 ft.)									<b>10 880</b>	<b>10 880</b>	<b>6780</b>	<b>6780</b>
									(23,790)	(23,790)		
6.0 m (20 ft.)									<b>11 700</b>	<b>11 700</b>	<b>10 070</b>	9040
									(25,460)	(25,460)	(20,250)	(19,290)
4.5 m (15 ft.)					<b>18 420</b>	<b>18 420</b>	<b>14 850</b>	<b>14 850</b>	<b>12 770</b>	<b>11 690</b>	<b>11 490</b>	8810
			(54,750)	(54,750)	(39,600)	(39,600)	(32,080)	(32,080)	(27,710)	(25,120)	(25,020)	(18,860)
3.0 m (10 ft.)					<b>21 780</b>	<b>21 500</b>	<b>16 790</b>	<b>15,090</b>	<b>13 940</b>	<b>11 170</b>	<b>12 150</b>	8510
					(46,870)	(46,340)	(36,260)	(32,500)	(30,190)	(24,010)	(26,400)	(18,240)
1.5 m (5 ft.)					<b>24 280</b>	<b>20 280</b>	<b>18 420</b>	<b>14 340</b>	<b>14 970</b>	<b>10 700</b>	<b>12 120</b>	8230
					(52,390)	(43,670)	(39,820)	(30,870)	(32,420)	(23,000)	(26,020)	(17,640)
Ground Line			<b>14 150</b>	<b>14 150</b>	<b>25 550</b>	<b>19 560</b>	<b>19 470</b>	<b>13 810</b>	<b>15 270</b>	<b>10 340</b>	<b>11 880</b>	8000
			(32,800)	(32,800)	(55,260)	(42,070)	(42,130)	(29,700)	(32,810)	(22,220)	(25,520)	(17,170)
-1.5 m (-5 ft.)	<b>10 800</b>	<b>10 800</b>	<b>19 890</b>	<b>19 890</b>	<b>25 670</b>	<b>19 240</b>	<b>19 800</b>	<b>13 510</b>	<b>15 030</b>	<b>10 120</b>	<b>11 760</b>	7890
	(24,430)	(24,430)	(45,600)	(45,600)	(55,570)	(41,340)	(42,840)	(29,040)	(32,310)	(21,760)	(25,280)	(16,950)
-3.0 m (-10 ft.)	<b>17 780</b>	<b>17 780</b>	<b>27 900</b>	<b>27 900</b>	<b>24 710</b>	<b>19 210</b>	<b>19 270</b>	<b>13 420</b>	<b>14 980</b>	<b>10 070</b>		
	(40,170)	(40,170)	(63,880)	(63,880)	(53,470)	(41,270)	(41,640)	(28,870)	(32,210)	(21,670)		
-4.5 m (-15 ft.)	<b>26 090</b>	<b>26 090</b>	<b>29 340</b>	<b>29 340</b>	<b>22 540</b>	<b>19 430</b>	<b>17 630</b>	<b>13 570</b>	<b>13 570</b>	<b>10 250</b>		
	(59,140)	(59,140)	(63,390)	(63,390)	(48,600)	(41,770)	(37,850)	(29,200)	(28,680)	(22,110)		
-6.0 m (-20 ft.)			<b>23 970</b>	<b>23 970</b>	<b>18 550</b>	<b>18 550</b>	<b>13 910</b>	<b>13 910</b>				
			(51,240)	(51,240)	(39,460)	(39,460)	(28,970)	(28,970)				

**SPECIFICATIONS**

**ZX670LC-6**

**Lift Charts**

**ZX670LC-6**

**Boldface type indicates hydraulically limited capacity; lightface type indicates stability-limited capacities, in kg (lb.). Ratings at bucket lift hook; machine equipped with standard gauge and situated on firm, uniform supporting surface. Total load includes weight of cables, hook, etc. Figures do not exceed 87 percent of hydraulic capacities or 75 percent of weight needed to tip machine. All lift capacities are based on ISO 10567 (with power boost).**

Load Point Height	3.0 m (10 ft.)		4.5 m (15 ft.)		6.0 m (20 ft.)		7.5 m (25 ft.)		9.0 m (30 ft.)		10.5 m (35 ft.)	
Horizontal Distance from Centerline of Rotation	Over Front	Over Side	Over Front	Over Side	Over Front	Over Side	Over Front	Over Side	Over Front	Over Side	Over Front	Over Side
With 2.9-m <sup>3</sup> (3.8 cu. yd.) bucket, 3.6-m (11 ft. 10 in.) arm, 7.8-m (25 ft. 7 in.) boom, and 900-mm (36 in.) double-bar grouser shoes												
7.5 m (25 ft.)									11 740 (25,700)	11 740 (25,700)		
6.0 m (20 ft.)							13 980 (30,280)	13 980 (30,280)	12 460 (27,120)	12 100 (25,960)	8120	8120
4.5 m (15 ft.)					19 900 (42,760)	19 900 (42,760)	15 770 (34,070)	15 770 (34,070)	13 440 (29,160)	11 650 (25,020)	12 040 (23,250)	8770 (18,740)
3.0 m (10 ft.)					23 020 (49,550)	21 290 (45,900)	17 560 (37,930)	15 030 (32,380)	14 490 (31,390)	11 170 (24,010)	12 480 (26,790)	8530 (18,270)
1.5 m (5 ft.)					25 060 (54,100)	20 270 (43,630)	18 970 (41,010)	14 370 (30,930)	15 370 (33,280)	10 750 (23,110)	12 230 (26,260)	8290 (17,770)
Ground Line			12 940 (30,250)	12 940 (30,250)	25 790 (55,810)	19 740 (42,440)	19 740 (42,700)	13 930 (29,960)	15 440 (33,200)	10 450 (22,470)	12 050 (25,900)	8120 (17,440)
-1.5 m (-5 ft.)			21 020 (48,230)	21 020 (48,230)	25 390 (55,010)	19 560 (42,040)	19 730 (42,680)	13 720 (29,510)	15 280 (32,860)	10 300 (22,150)		
-3.0 m (-10 ft.)	20 320 (45,940)	20 320 (45,940)	31 010 (67,290)	31 010 (67,290)	23 940 (51,810)	19 650 (42,220)	18 790 (40,560)	13 730 (29,530)	14 830 (31,800)	10 340 (22,260)		
-4.5 m (-15 ft.)	30 660 (69,670)	30 660 (69,670)	27 020 (58,350)	27 020 (58,350)	21 160 (45,550)	19 980 (42,960)	16 490 (35,230)	13 980 (30,120)				
-6.0 m (-20 ft.)			20 650 (43,850)	20 650 (43,850)	16 030 (33,650)	16 030 (33,650)						
With 2.5-m <sup>3</sup> (3.3 cu. yd.) bucket, 4.2-m (13 ft. 9 in.) arm, 7.8-m (25 ft. 7 in.) boom, and 900-mm (36 in.) double-bar grouser shoes												
7.5 m (25 ft.)									10 880 (23,790)	10 880 (23,790)	6780	6780
6.0 m (20 ft.)									11 700 (25,460)	11 700 (25,460)	10 070 (20,250)	9190 (19,630)
4.5 m (15 ft.)					18 420 (39,600)	18 420 (39,600)	14 850 (32,080)	14 850 (32,080)	12 770 (27,710)	11 880 (25,530)	11 490 (25,020)	8970 (19,200)
3.0 m (10 ft.)					21 780 (46,870)	21 780 (46,870)	16 790 (36,260)	15 330 (33,010)	13 940 (30,190)	11 360 (24,420)	12 150 (26,400)	8670 (18,580)
1.5 m (5 ft.)					24 280 (52,390)	20 600 (44,360)	18 420 (39,820)	14 580 (31,380)	14 970 (32,420)	10 890 (23,410)	12 330 (26,480)	8380 (17,980)
Ground Line			14 150 (32,800)	14 150 (32,800)	25 550 (55,260)	19 880 (42,760)	19 470 (42,130)	14 040 (30,210)	15 530 (33,370)	10 530 (22,630)	12 090 (25,980)	8160 (17,510)
-1.5 m (-5 ft.)	10 800 (24,430)	10 800 (24,430)	19 890 (45,600)	19 890 (45,600)	25 670 (55,570)	19 560 (42,030)	19 800 (42,840)	13 740 (29,550)	15 290 (32,870)	10 310 (22,160)	11 970 (25,740)	8040 (17,290)
-3.0 m (-10 ft.)	17 780 (40,170)	17 780 (40,170)	27 900 (63,880)	27 900 (63,880)	24 710 (53,470)	19 530 (41,960)	19 270 (41,640)	13 660 (29,380)	15 240 (32,780)	10 260 (22,070)		
-4.5 m (-15 ft.)	26 090 (59,140)	26 090 (59,140)	29 340 (63,390)	29 340 (63,390)	22 540 (48,600)	19 750 (42,460)	17 630 (37,850)	13 800 (29,720)	13 570 (28,680)	10 430 (22,520)		
-6.0 m (-20 ft.)			23 970 (51,240)	23 970 (51,240)	18 550 (39,460)	18 550 (39,460)	13 910 (28,970)	13 910 (28,970)				



**Lift Charts**

**ZX670LC-6**

**Boldface type indicates hydraulically limited capacity; lightface type indicates stability-limited capacities, in kg (lb.).** Ratings at bucket lift hook; machine equipped with standard gauge and situated on firm, uniform supporting surface. Total load includes weight of cables, hook, etc. Figures do not exceed 87 percent of hydraulic capacities or 75 percent of weight needed to tip machine. All lift capacities are based on ISO 10567 (with power boost).

Load Point Height	1.5 m (5 ft.)		3.0 m (10 ft.)		4.5 m (15 ft.)		6.0 m (20 ft.)		7.5 m (25 ft.)		9.0 m (30 ft.)		10.5 m (35 ft.)		12 m (40 ft.)		
Horizontal Distance from																	
Centerline of Rotation	Over Front	Over Side	Over Front	Over Side	Over Front	Over Side	Over Front	Over Side	Over Front	Over Side	Over Front	Over Side	Over Front	Over Side	Over Front	Over Side	
With 2-m <sup>2</sup> (2.6 cu. yd.) bucket, 5.3-m (17 ft. 5 in.) arm, 7.8-m (25 ft. 7 in.) boom, and 900-mm (36 in.) double-bar grouser shoes																	
9.0 m (30 ft.)														<b>6010</b>	<b>6010</b>		
														(11,570)	(11,570)		
7.5 m (25 ft.)														<b>7630</b>	<b>7630</b>		
														(16,040)	(16,040)		
6.0 m (20 ft.)												<b>9950</b>	<b>9950</b>	<b>8900</b>	<b>8900</b>	<b>5560</b>	<b>5560</b>
												(21,590)	(21,590)	(18,980)	(18,980)	(9,950)	(9,950)
4.5 m (15 ft.)										<b>13 440</b>	<b>13 440</b>	<b>11 860</b>	<b>11 860</b>	<b>10 430</b>	<b>9650</b>	<b>7140</b>	<b>7140</b>
										(29,090)	(29,090)	(25,770)	(25,770)	(22,250)	(20,710)	(14,010)	(14,010)
3.0 m (10 ft.)					<b>27 860</b>	<b>27 860</b>	<b>19 700</b>	<b>19 700</b>	<b>15 610</b>	<b>15 610</b>	<b>13 210</b>	<b>12 110</b>	<b>11 670</b>	<b>9300</b>	<b>8290</b>	<b>7260</b>	
					(59,720)	(59,720)	(42,440)	(42,440)	(33,760)	(33,760)	(28,650)	(26,050)	(25,370)	(19,950)	(16,550)	(15,030)	
1.5 m (5 ft.)					<b>17 980</b>	<b>17 980</b>	<b>22 900</b>	<b>21 780</b>	<b>17 610</b>	<b>15 430</b>	<b>14 490</b>	<b>11 560</b>	<b>12 480</b>	<b>8940</b>	<b>9040</b>	<b>7050</b>	
					(42,690)	(42,690)	(49,430)	(46,910)	(38,090)	(33,210)	(31,410)	(24,860)	(27,090)	(19,200)	(17,870)	(15,090)	
Ground Line					<b>16 170</b>	<b>16 170</b>	<b>25 050</b>	<b>20 730</b>	<b>19 130</b>	<b>14 730</b>	<b>15 520</b>	<b>11 100</b>	<b>12 590</b>	<b>8640</b>	<b>8950</b>	<b>6870</b>	
					(37,320)	(37,320)	(54,170)	(44,600)	(41,410)	(31,690)	(33,630)	(23,860)	(27,050)	(18,560)	(16,950)	(14,730)	
-1.5 m (-5 ft.)	<b>6820</b>	<b>6820</b>	<b>10 050</b>	<b>10 050</b>	<b>18 750</b>	<b>18 750</b>	<b>26 040</b>	<b>20 120</b>	<b>20 000</b>	<b>14 260</b>	<b>15 760</b>	<b>10 770</b>	<b>12 360</b>	<b>8430</b>	<b>6880</b>	<b>6770</b>	
	(15,230)	(15,230)	(22,700)	(22,700)	(42,960)	(42,960)	(56,370)	(43,260)	(43,310)	(30,670)	(33,880)	(23,150)	(26,570)	(18,100)			
-3.0 m (-10 ft.)	<b>11 070</b>	<b>11 070</b>	<b>14 710</b>	<b>14 710</b>	<b>23 610</b>	<b>23 610</b>	<b>25 940</b>	<b>19 860</b>	<b>20 120</b>	<b>14 020</b>	<b>15 570</b>	<b>10 590</b>	<b>12 250</b>	<b>8330</b>			
	(24,790)	(24,790)	(33,200)	(33,200)	(53,970)	(53,970)	(56,150)	(42,690)	(43,520)	(30,160)	(33,480)	(22,770)	(26,370)	(17,910)			
-4.5 m (-15 ft.)	<b>15 790</b>	<b>15 790</b>	<b>20 340</b>	<b>20 340</b>	<b>30 830</b>	<b>30 830</b>	<b>24 730</b>	<b>19 880</b>	<b>19 330</b>	<b>13 990</b>	<b>15 440</b>	<b>10 580</b>	<b>10 170</b>	<b>8400</b>			
	(35,450)	(35,450)	(46,010)	(46,010)	(70,610)	(69,460)	(53,430)	(42,750)	(41,700)	(30,120)	(33,190)	(22,790)					
-6.0 m (-20 ft.)			<b>27 670</b>	<b>27 670</b>	<b>29 090</b>	<b>29 090</b>	<b>22 150</b>	<b>20 170</b>	<b>17 280</b>	<b>14 200</b>	<b>13 250</b>	<b>10 810</b>					
			(62,900)	(62,900)	(62,560)	(62,560)	(47,560)	(43,410)	(36,920)	(30,600)	(27,800)	(23,360)					
-7.5 m (-25 ft.)					<b>22 770</b>	<b>22 770</b>	<b>17 360</b>	<b>17 360</b>	<b>12 680</b>	<b>12 680</b>							
					(48,120)	(48,120)	(36,410)	(36,410)									
With 3.5-m <sup>2</sup> (4.6 cu. yd.) bucket, 2.9-m (9 ft. 6 in.) BE arm, 6.8-m (22 ft. 4 in.) BE boom, and 900-mm (36 in.) double-bar grouser shoes																	
7.5 m (25 ft.)										<b>14 400</b>	<b>14 400</b>						
										(31,610)	(31,610)						
6.0 m (20 ft.)							<b>17 530</b>	<b>17 530</b>	<b>15 280</b>	<b>15 280</b>							
							(37,890)	(37,890)	(33,220)	(33,220)							
4.5 m (15 ft.)							<b>20 470</b>	<b>20 470</b>	<b>16 700</b>	<b>15 580</b>	<b>14 650</b>	<b>11 180</b>					
							(44,110)	(44,110)	(36,200)	(33,480)	(31,940)	(23,890)					
3.0 m (10 ft.)							<b>23 430</b>	<b>21 470</b>	<b>18 260</b>	<b>14 900</b>	<b>15 370</b>	<b>10 880</b>					
							(50,520)	(46,230)	(39,520)	(32,040)	(33,390)	(23,340)					
1.5 m (5 ft.)							<b>25 430</b>	<b>20 540</b>	<b>19 480</b>	<b>14 340</b>	<b>15 610</b>	<b>10 590</b>					
							(54,940)	(44,180)	(42,140)	(30,830)	(33,520)	(22,720)					
Ground Line							<b>26 020</b>	<b>20 050</b>	<b>19 950</b>	<b>13 990</b>	<b>15 420</b>	<b>10 410</b>					
							(56,320)	(43,090)	(43,140)	(30,070)	(33,150)	(22,380)					
-1.5 m (-5 ft.)						<b>33 520</b>	<b>32 870</b>	<b>25 150</b>	<b>19 930</b>	<b>19 300</b>	<b>13 890</b>						
						(72,780)	(70,400)	(54,430)	(42,820)	(41,640)	(29,860)						
-3.0 m (-10 ft.)			<b>34 290</b>	<b>34 290</b>	<b>29 560</b>	<b>29 560</b>	<b>22 510</b>	<b>20 150</b>	<b>16 670</b>	<b>14 120</b>							
			(77,980)	(77,980)	(63,980)	(63,980)	(48,500)	(43,300)	(35,280)	(30,440)							
-4.5 m (-15 ft.)						<b>22 630</b>	<b>22 630</b>	<b>16 490</b>	<b>16 490</b>								
						(48,280)	(48,280)	(34,300)	(34,300)								

## SPECIFICATIONS

### ZX670LC-6

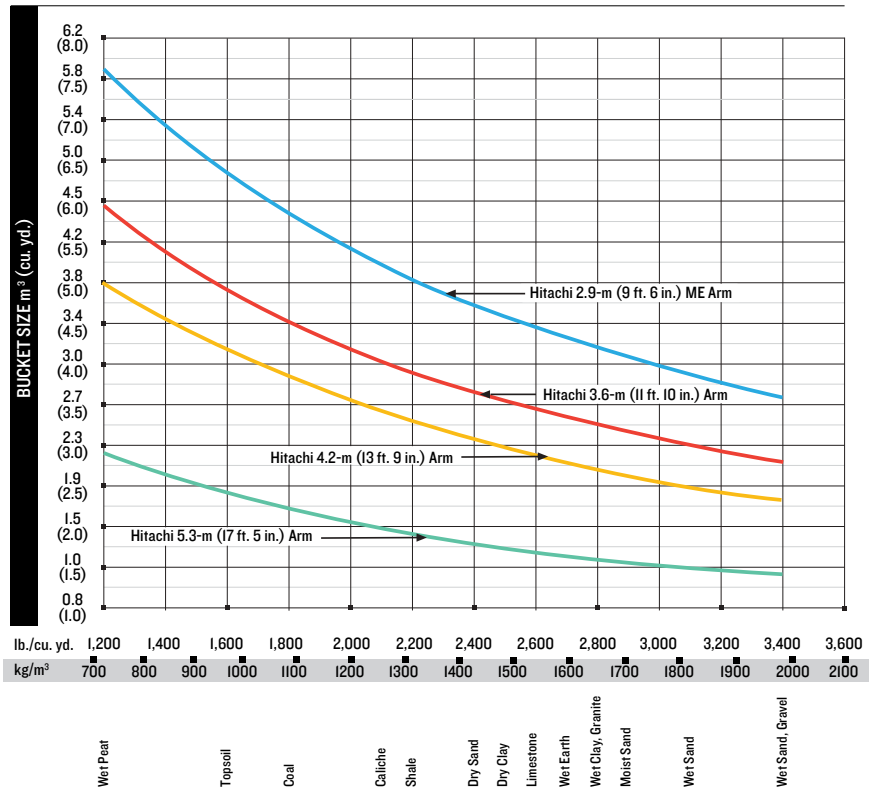
#### Buckets

#### ZX670LC-6

A full line of buckets is offered to meet a wide variety of applications. Digging forces are with power boost. Buckets are equipped with ESCO teeth standard. Replaceable cutting edges and a variety of teeth are available through Hitachi parts. Optional side cutters add 150 mm (6 in.) to bucket widths. Capacities are SAE heaped ratings.

Type Bucket	Bucket Width		Bucket Capacity		Bucket Weight		Bucket Dig Force		Arm Dig Force 3.6 m (11 ft. 10 in.)		Arm Dig Force 4.2 m (13 ft. 9 in.)		Arm Dig Force 5.3 m (17 ft. 5 in.)		ME Arm Dig Force 2.9 m (9 ft. 6 in.)		Bucket Tip Radius		Number of Teeth
	mm	in.	m <sup>3</sup>	cu. yd.	kg	lb.	kN	lb.	kN	lb.	kN	lb.	kN	lb.	kN	lb.	mm	in.	
Extreme-Duty Plate Lip	1219	48	2.65	3.5	3396	7,487	275	61,851	242	54,423	220	49,448	189	42,497	290	65,260	2281	89.79	3
	1372	54	3.06	4	3546	7,817	275	61,851	242	54,423	220	49,448	189	42,497	290	65,260	2281	89.79	3
	1524	60	3.53	4.6	3795	8,368	275	61,851	242	54,423	220	49,448	189	42,497	290	65,260	2281	89.79	3
Heavy-Duty High Capacity	914	36	1.80	2.4	2664	5,873	275	61,851	242	54,423	220	49,448	189	42,497	290	65,260	2281	89.79	3
	1067	42	2.22	2.9	2867	6,320	275	61,851	242	54,423	220	49,448	189	42,497	290	65,260	2281	89.79	3
	1219	48	2.06	2.7	2966	6,540	275	61,851	242	54,423	220	49,448	189	42,497	290	65,260	2281	89.79	4
	1372	54	3.09	4	3129	6,898	275	61,851	242	54,423	220	49,448	189	42,497	290	65,260	2281	89.79	5
	1524	60	3.54	4.6	3302	7,280	275	61,851	242	54,423	220	49,448	189	42,497	290	65,260	2281	89.79	5
	1829	72	4.44	5.8	3593	7,921	275	61,851	242	54,423	220	49,448	189	42,497	290	65,260	2281	89.79	6
	2032	80	5.05	6.6	3916	8,634	275	61,851	242	54,423	220	49,448	189	42,497	290	65,260	2281	89.79	6
Heavy Capacity Dirt	2184	86	4.59	6	3941	8,688	287	64,421	246	55,278	223	50,152	58	13,013	295	66,427	2190	86.23	6
Heavy-Duty	914	36	1.30	1.7	2252	4,964	326	73,327	258	57,940	233	52,331	198	44,597	312	70,090	1924	75.75	3
	1067	42	1.58	2.1	2594	5,719	326	73,327	258	57,940	233	52,331	198	44,597	312	70,090	1924	75.75	4
	1219	48	1.90	2.5	2722	6,000	326	73,327	258	57,940	233	52,331	198	44,597	312	70,090	1924	75.75	4
	1372	54	2.19	2.9	2858	6,302	326	73,327	258	57,940	233	52,331	198	44,597	312	70,090	1924	75.75	5
	1524	60	2.52	3.3	3062	6,750	326	73,327	258	57,940	233	52,331	198	44,597	312	70,090	1924	75.75	5
Truck Loading	1930	76	3.75	4.9	3043	6,709	287	64,421	246	55,278	223	50,152	58	13,013	295	66,427	2189	86.20	6
	2083	82	4.05	5.3	3292	7,257	287	64,421	246	55,278	223	50,152	58	13,013	295	66,427	2189	86.20	7





\*Contact your Hitachi dealer for optimum bucket and attachment selections. These recommendations are for general conditions and average use. Does not include optional equipment such as thumbs or couplers. Larger buckets may be possible when using light materials, for flat and level operations, less compacted materials, and volume loading applications such as mass-excitation applications in ideal conditions. Smaller buckets are recommended for adverse conditions such as off-level applications, rocks, and uneven surfaces. Bucket capacity indicated is SAE heaped.

## SPECIFICATIONS

### ZX670LC-6

<b>Engine</b>	<b>ZX870LC-6</b>		
Manufacturer and Model	Isuzu 6WGI-FT4		
Non-Road Emission Standards	EPA Final Tier 4/EU Stage IV		
Net Rated Power (ISO 9249)	382 kW (512 hp) @ 1,800 rpm		
Cylinders	6		
Displacement	15.68 L (957 cu. in.)		
Off-Level Capacity	70% (35 deg.)		
Aspiration	Turbocharged, air-to-air charge-air cooler		
<b>Cooling</b>	2 cool-on-demand hydraulic-driven, suction-type fans with remote-mounted drives		
<b>Powertrain</b>	2-speed propel		
<b>Maximum Travel Speed</b>			
Low	3.2 km/h (2 mph)		
High	4.7 km/h (2.9 mph)		
Drawbar Pull	57 085 kg (125,850 lb.)		
<b>Hydraulics</b>	Open center, load sensing		
<b>Main Pumps</b>	2 variable-displacement pumps		
Maximum Rated Flow	566 L/m (150 gpm) x 2		
<b>Pilot Pump</b>	One gear		
Maximum Rated Flow	30 L/m (7.9 gpm)		
Pressure Setting	3900 kPa (566 psi)		
<b>System Operating Pressure</b>			
Circuits			
Implement Circuits	31 900 kPa (4,627 psi)		
Travel Circuits	34 300 kPa (4,975 psi)		
Swing Circuits	29 400 kPa (4,264 psi)		
Power Boost	34 300 kPa (4,975 psi)		
<b>Controls</b>	Pilot levers, short-stroke, low-effort hydraulic pilot controls with shutoff lever		
<b>Cylinders</b>	Heat-treated, chrome-plated, polished cylinder rods, hardened steel (replaceable bushings) pivot pins		
	<b>Bore</b>	<b>Rod Diameter</b>	<b>Stroke</b>
<b>Boom (2)</b>	215 mm (8.5 in.)	150 mm (5.9 in.)	1835 mm (72.2 in.)
<b>Arm (1)</b>	225 mm (8.9 in.)	160 mm (6.3 in.)	2225 mm (87.6 in.)
<b>Bucket (1)</b>	200 mm (7.9 in.)	140 mm (5.5 in.)	1555 mm (61.2 in.)
<b>Electrical</b>			
Number of Batteries (12 volt)	2		
Battery Capacity	500 CCA		
Alternator Rating	50 amp		
Work Lights	5 halogen (1 mounted on frame, 2 mounted on boom, and 2 mounted on top of cab)		
<b>Undercarriage</b>			
<b>Rollers (each side)</b>			
Carrier	3		
Track	9		
Double-Bar Grouser Shoes (each side)	51		
<b>Track</b>			
Adjustment	Hydraulic		
Guides	Front and center		
Chain	Sealed and lubricated		
Planetary Final Drives with Axial Piston Motors			
<b>Ground Pressure</b>			
700-mm (28 in.) Double-Bar Grouser Shoes	106.9 kPa (15.5 psi)		
800-mm (32 in.) Double-Bar Grouser Shoes	94.5 kPa (13.5 psi)		
900-mm (36 in.) Double-Bar Grouser Shoes	84.8 kPa (12 psi)		
<b>Swing Mechanism</b>			
Swing Speed	7.8 rpm		
Swing Torque	269 000 Nm (198,404 lb.-ft.)		



**Serviceability ZX870LC-6**

**Refill Capacities**

Fuel Tank	1110 L (293 gal.)
Diesel Exhaust Fluid (DEF) Tank	95 L (25.1 gal.)
Cooling System	124 L (32.8 gal.)
Engine Oil with Filter	57 L (15.1 gal.)
Hydraulic Tank	500 L (132.1 gal.)
Hydraulic System	1042 L (275.3 gal.)
<b>Gearbox</b>	
Swing (each)	15.7 L (16.6 qt.)
Travel (each)	19 L (20.1 qt.)
Pump Drive	6.2 L (6.6 qt.)

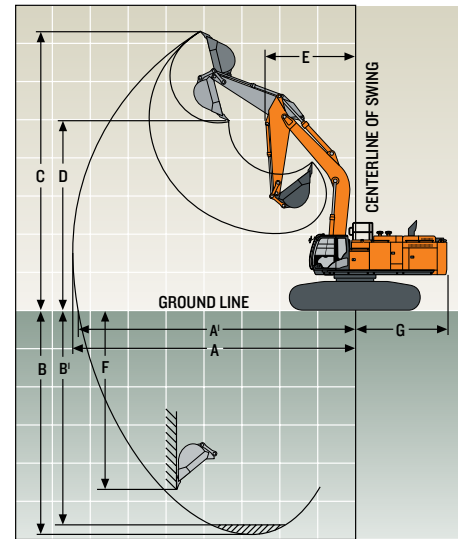
**Operating Weights**

With full fuel tank; 79-kg (175 lb.) operator; 3.49-m<sup>3</sup> (4.57 cu. yd.), 1370-mm (54 in.), 3558-kg (7,845 lb.) bucket; 4.4-m (14 ft. 5 in.) arm; 12 400-kg (27,337 lb.) counterweight; counterweight removal device and 900-mm (36 in.) double-bar grouser shoes

SAE Operating Weight	85 600 kg (188,716 lb.)
----------------------	-------------------------

**Components**

<b>Undercarriage w/ Double-Bar Grouser Shoes</b>	
650 mm (26 in.)	32 326 kg (71,267 lb.)
750 mm (30 in.)	33 026 kg (72,810 lb.)
900 mm (36 in.)	33 966 kg (74,882 lb.)
1020 mm (40 in.)	34 396 kg (75,830 lb.)
<b>One-Piece Boom (with arm cylinder)</b>	
8.4 m (27 ft. 7 in.)	8190 kg (18,056 lb.)
7.1-m (23 ft. 4 in.) Mass Excavating	7670 kg (16,909 lb.)
10 m (32 ft. 10 in.)	9390 kg (20,701 lb.)
<b>Arm with Bucket Cylinder and Linkage</b>	
3.7 m (12 ft. 1 in.)	4290 kg (9,458 lb.)
4.4 m (14 ft. 5 in.)	4630 kg (10,207 lb.)
5.4 m (17 ft. 9 in.)	4940 kg (10,891 lb.)
2.95-m (9 ft. 8 in.) Mass Excavating w/	
7.1-m (23 ft. 4 in.) Mass-Excavating Boom	4620 kg (10,185 lb.)
Boom-Lift Cylinders (2), Total Weight	1700 kg (3,748 lb.)
Counterweight with Standard Mainframe	13 300 kg (29,321 lb.)



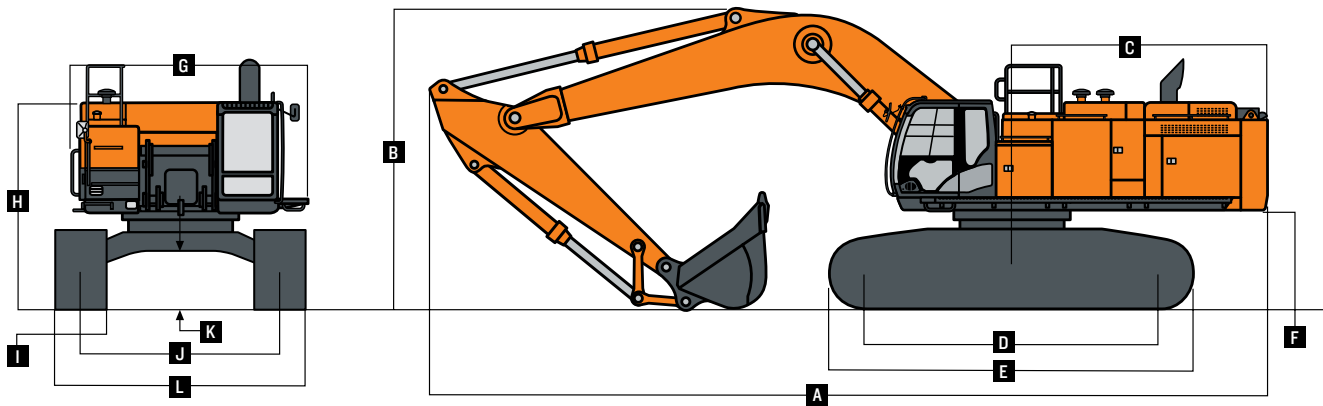
**Operating Dimensions**

Arm Length	3.7 m (12 ft. 2 in.) w/ 8.4-m (27 ft. 7 in.) Boom	4.4 m (14 ft. 5 in.) w/ 8.4-m (27 ft. 7 in.) Boom	5.4 m (17 ft. 9 in.) w/ 8.4-m (27 ft. 7 in.) Boom	2.95-m (9 ft. 8 in.) Mass Excavating w/ 7.1-m (23 ft. 4 in.) Boom	4.4 m (14 ft. 5 in.) w/ 10-m (32 ft. 10 in.) Boom	5.4 m (17 ft. 9 in.) w/ 10-m (32 ft. 10 in.) Boom
<b>Arm Digging Force</b>						
SAE	315 kN (70,815 lb.)	273 kN (61,373 lb.)	237 kN (53,280 lb.)	378 kN (84,978 lb.)	273 kN (61,373 lb.)	237 kN (53,280 lb.)
ISO	323 kN (72,613 lb.)	280 kN (62,946 lb.)	243 kN (54,629 lb.)	394 kN (88,575 lb.)	280 kN (62,946 lb.)	243 kN (54,629 lb.)
<b>Bucket Digging Force</b>						
SAE	359 kN (80,706 lb.)	359 kN (80,706 lb.)	289 kN (64,970 lb.)	411 kN (92,396 lb.)	359 kN (80,706 lb.)	289 kN (64,970 lb.)
ISO	399 kN (89,699 lb.)	399 kN (89,699 lb.)	323 kN (72,613 lb.)	472 kN (106,110 lb.)	399 kN (89,699 lb.)	323 kN (72,613 lb.)
<b>A</b> Maximum Reach	14.10 m (46 ft. 3 in.)	14.91 m (48 ft. 11 in.)	15.91 m (52 ft. 2 in.)	12.34 m (40 ft. 6 in.)	16.55 m (54 ft. 4 in.)	17.56 m (57 ft. 7 in.)
<b>A'</b> Maximum Reach at Ground Level	13.82 m (45 ft. 4 in.)	14.64 m (48 ft.)	15.67 m (51 ft. 5 in.)	12.02 m (39 ft. 5 in.)	16.32 m (53 ft. 7 in.)	17.34 m (56 ft. 11 in.)
<b>B</b> Maximum Digging Depth	8.87 m (29 ft. 1 in.)	9.57 m (31 ft. 5 in.)	10.57 m (34 ft. 8 in.)	7.14 m (23 ft. 5 in.)	11.16 m (36 ft. 7 in.)	12.16 m (39 ft. 11 in.)
<b>B'</b> Maximum Digging Depth at 2.44-m (8 ft.) Flat Bottom	8.74 m (28 ft. 8 in.)	9.46 m (31 ft.)	10.47 m (34 ft. 4 in.)	7 m (23 ft.)	11.04 m (36 ft. 3 in.)	12.06 m (39 ft. 7 in.)
<b>C</b> Maximum Cutting Height	13.03 m (42 ft. 9 in.)	13.82 m (45 ft. 4 in.)	14.52 m (47 ft. 8 in.)	12.01 m (39 ft. 5 in.)	14.66 m (48 ft. 1 in.)	15.34 m (50 ft. 4 in.)
<b>D</b> Maximum Dumping Height	9.08 m (29 ft. 9 in.)	9.74 m (31 ft. 11 in.)	10.41 m (34 ft. 2 in.)	8.13 m (26 ft. 8 in.)	10.81 m (35 ft. 6 in.)	11.26 m (36 ft. 11 in.)
<b>E</b> Minimum Swing Radius	5.95 m (19 ft. 6 in.)	5.95 m (19 ft. 6 in.)	5.94 m (19 ft. 6 in.)	5.21 m (17 ft. 1 in.)	7.35 m (24 ft. 1 in.)	7.32 m (24 ft.)
<b>F</b> Maximum Vertical Wall	7.17 m (23 ft. 6 in.)	8.48 m (27 ft. 10 in.)	9.75 m (32 ft.)	4.10 m (13 ft. 5 in.)	9.87 m (32 ft. 5 in.)	11.34 m (37 ft. 2 in.)
<b>G</b> Tail Swing Radius	4.60 m (15 ft. 1 in.)	4.60 m (15 ft. 1 in.)	4.60 m (15 ft. 1 in.)	4.60 m (15 ft. 1 in.)	4.60 m (15 ft. 1 in.)	4.60 m (15 ft. 1 in.)

## SPECIFICATIONS

### ZX870LC-6

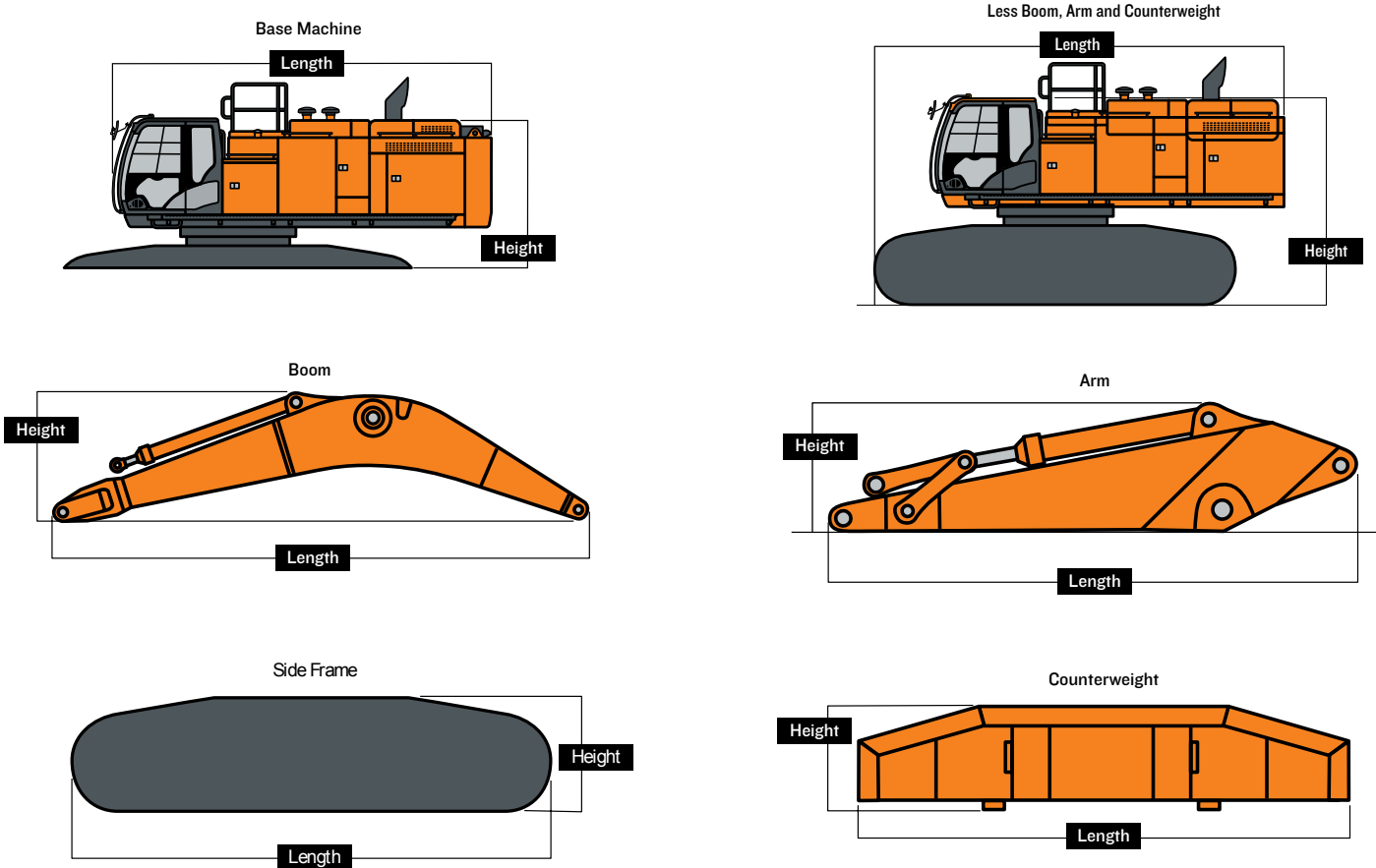
Machine Dimensions	ZX870LC-6
<b>A</b> Overall Length w/ Arm	
3.7 m (12 ft. 2 in.)	14.88 m (48 ft. 7 in.)
4.4 m (14 ft. 5 in.)	14.80 m (48 ft. 7 in.)
5.4 m (17 ft. 9 in.)	14.65 m (48 ft. 1 in.)
2.95-m (9 ft. 8 in.) Mass Excavating with Mass-Excavating Boom	13.55 m (44 ft. 5 in.)
<b>B</b> Overall Height w/ Arm	
3.7 m (12 ft. 2 in.)	4.77 m (15 ft. 8 in.)
4.4 m (14 ft. 5 in.)	5.13 m (16 ft. 10 in.)
5.4 m (17 ft. 9 in.)	5.76 m (18 ft. 11 in.)
2.95-m (9 ft. 8 in.) Mass Excavating with Mass-Excavating Boom	5.20 m (17 ft. 1 in.)
<b>C</b> Rear-End Length/Swing Radius	4.54 m (14 ft. 11 in.)
<b>D</b> Distance Between Idler/Sprocket Centerline	5.11 m (16 ft. 9 in.)
<b>E</b> Undercarriage Length	6.36 m (20 ft. 10 in.)
<b>F</b> Counterweight Clearance	1.68 m (5 ft. 6 in.)
<b>G</b> Upperstructure Width	4.12 m (13 ft. 6 in.)
<b>H</b> Cab Height	3.69 m (12 ft. 1 in.)
<b>I</b> Track Width w/ Double-Bar Grouser Shoes	650 mm (26 in.) / 750 mm (30 in.) / 900 mm (36 in.)
<b>J</b> Gauge Width w/ 900-mm (36 in.) Double-Bar Grouser Shoes	
Operating Position	3.45 m (11 ft. 4 in.)
Transport Position	2.83 m (9 ft. 3 in.)
<b>K</b> Ground Clearance	0.89 m (35 in.)
<b>L</b> Overall Width w/ 900-mm (36 in.) Double-Bar Grouser Shoes	
Operating Position	4.35 m (14 ft. 3 in.)
Transport Position	3.73 m (12 ft. 3 in.)



Packing Dimensions and Weights for Transportation		ZX870LC-6		
<b>Base Machine</b> (without front attachment and side frame)*	<b>Length</b> 6.5 m (21 ft. 4 in.)	<b>Height</b> 2.96 m (9 ft. 9 in.)	<b>Overall Width</b> 3.42 m (11 ft. 3 in.)	<b>Weight</b> 29 000 kg (63,934 lb.)
<b>Side Frame**</b>				
650-mm (26 in.) Shoe Width	6.36 m (20 ft. 10 in.)	1.50 m (4 ft. 11 in.)	1.33 m (4 ft. 4 in.)	12 300 kg (27,117 lb.)
750-mm (30 in.) Shoe Width	6.36 m (20 ft. 10 in.)	1.50 m (4 ft. 11 in.)	1.33 m (4 ft. 4 in.)	12 600 kg (27,778 lb.)
900-mm (36 in.) Shoe Width	6.36 m (20 ft. 10 in.)	1.50 m (4 ft. 11 in.)	1.42 m (4 ft. 8 in.)	13 100 kg (28,881 lb.)
1020-mm (40 in.) Shoe Width	6.36 m (20 ft. 10 in.)	1.50 m (4 ft. 11 in.)	1.45 m (4 ft. 9 in.)	13 500 kg (29,762 lb.)
<b>Counterweight, Standard</b>	3.36 m (11 ft.)	1.62 m (5 ft. 4 in.)	0.72 m (28 in.)	13 300 kg (29,321 lb.)
<b>Boom</b>				
7.1 m (23 ft. 4 in.)	7.49 m (24 ft. 7 in.)	2.70 m (8 ft. 10 in.)	1.45 m (4 ft. 9 in.)	7670 kg (16,909 lb.)
8.4 m (27 ft. 7 in.)	8.78 m (28 ft. 10 in.)	2.50 m (8 ft. 2 in.)	1.45 m (4 ft. 9 in.)	8190 kg (18,056 lb.)
10 m (32 ft. 10 in.)	10.37 m (34 ft.)	2.70 m (8 ft. 10 in.)	1.45 m (4 ft. 9 in.)	9390 kg (20,701 lb.)
<b>Arm</b>				
2.95 m (9 ft. 8 in.)	4.46 m (14 ft. 8 in.)	1.66 m (5 ft. 5 in.)	0.85 m (33 in.)	4620 kg (10,185 lb.)
3.7 m (12 ft. 2 in.)	5.29 m (17 ft. 4 in.)	1.42 m (4 ft. 8 in.)	0.82 m (32 in.)	4290 kg (9,458 lb.)
4.4 m (14 ft. 5 in.)	5.88 m (19 ft. 3 in.)	1.42 m (4 ft. 8 in.)	0.82 m (32 in.)	4630 kg (10,207 lb.)
5.4 m (17 ft. 9 in.)	6.83 m (22 ft. 5 in.)	1.48 m (4 ft. 10 in.)	0.80 m (31 in.)	4940 kg (10,891 lb.)
<b>Length Less Boom, Arm and Counterweight</b>	7.53 m (24 ft. 8 in.)	3.89 m (12 ft. 9 in.) / 3.86 m (12 ft. 8 in.) without exhaust stack	3.48 m (11 ft. 5 in.) w/ 650-mm (26 in.) shoes / 3.58 m (11 ft. 9 in.) w/ 750-mm (30 in.) shoes / 3.73 m (12 ft. 3 in.) w/ 900-mm (36 in.) shoes	53 400 kg (117,727 lb.) w/ 650-mm (26 in.) shoes / 54 000 kg (119,050 lb.) w/ 750-mm (30 in.) shoes / 55 000 kg (121,254 lb.) w/ 900-mm (36 in.) shoes

\*Steps on the track frame, exhaust stack, side hydraulic oil tank, handrails and upper fuel tank must be removed to comply with the width dimensions above.

\*\*The dimensions and the weights indicate those of one side frame.





**SPECIFICATIONS**

**ZX870LC-6**

**Lift Charts**

**ZX870LC-6**

**Boldface type indicates hydraulically limited capacity; lightface type indicates stability-limited capacities, in kg (lb.). Ratings at bucket lift hook; machine equipped with standard gauge and situated on firm, uniform supporting surface. Total load includes weight of cables, hook, etc. Figures do not exceed 87 percent of hydraulic capacities or 75 percent of weight needed to tip machine. All lift capacities are based on ISO 10567 (with power boost).**

Load Point Height	3.0 m (10 ft.)		4.5 m (15 ft.)		6.0 m (20 ft.)		7.5 m (25 ft.)		9.0 m (30 ft.)		10.5 m (35 ft.)		12.0 m (40 ft.)	
Horizontal Distance from Centerline of Rotation	Over Front	Over Side	Over Front	Over Side	Over Front	Over Side	Over Front	Over Side	Over Front	Over Side	Over Front	Over Side	Over Front	Over Side
With 2.9-m <sup>3</sup> (3.79 cu. yd.) bucket, 4.4-m (14 ft. 5 in.) arm, 8.4-m (27 ft. 7 in.) boom, and 650-mm (26 in.) double-bar grouser shoes														
9.0 m (30 ft.)									(27,690)	(27,690)	10 020	10 020		
7.5 m (25 ft.)									13 530	13 530	12 670	12 670		
									(29,450)	(29,450)	(26,640)	(26,640)		
6.0 m (20 ft.)							16 970	16 970	14 840	14 840	13 490	12 540	9300	9300
							(36,620)	(36,620)	(32,180)	(32,180)	(29,370)	(26,860)	(16,450)	(16,450)
4.5 m (15 ft.)			25 250	25 250	19 610	19 610	16 420	15 860	14 420	12 110	12 000	9350		
			(54,120)	(54,120)	(42,250)	(42,250)	(35,520)	(34,120)	(31,320)	(25,980)	(23,410)	(19,960)		
3.0 m (10 ft.)			29 590	28 620	22 180	20 250	18 010	15 130	15 400	11 650	13 670	9120		
			(63,590)	(61,710)	(47,810)	(43,630)	(38,940)	(32,540)	(33,400)	(25,010)	(27,730)	(19,490)		
1.5 m (5 ft.)			28 890	27 170	24 200	19 280	19 360	14 490	16 260	11 240	14 110	8870		
			(69,870)	(58,490)	(52,240)	(41,520)	(41,870)	(31,160)	(35,220)	(24,120)	(29,650)	(19,010)		
Ground Line			28 790	26 420	25 380	18 640	20 260	14 020	16 820	10 920	13 980	8700		
			(68,030)	(56,810)	(54,870)	(40,100)	(43,820)	(30,140)	(36,390)	(23,450)	(26,770)	(18,650)		
-1.5 m (-5 ft.)			16 350	16 350	33 260	26 150	25 660	18 300	20 540	13 740	16 910	10 730		
			(37,550)	(37,550)	(72,030)	(56,180)	(55,510)	(39,350)	(44,410)	(29,540)	(36,500)	(23,060)		
-3.0 m (-10 ft.)	16 530	16 530	24 950	24 950	31 890	26 190	24 980	18 220	20,050	13 660	16 230	10 720		
	(37,410)	(37,410)	(57,060)	(57,060)	(69,030)	(56,250)	(54,000)	(39,180)	(43,250)	(29,380)	(34,820)	(23,060)		
-4.5 m (-15 ft.)	25 420	25 420	36 210	36 210	29 280	26 490	23 170	18 390	18,450	13 800				
	(57,580)	(57,580)	(81,680)	(81,680)	(63,220)	(56,920)	(49,890)	(39,570)	(39,500)	(29,730)				
-6.0 m (-20 ft.)			31 730	31 730	24 960	24 960	19 640	18 850	14 570	14 310				
			(68,100)	(68,100)	(53,450)	(53,450)	(41,730)	(40,640)						
With 4.5-m <sup>3</sup> (5.89 cu. yd.) bucket, 2.95-m (9 ft. 8 in.) BE arm, 7.1-m (23 ft. 4 in.) BE boom, and 650-mm (26 in.) double-bar grouser shoes														
7.5 m (25 ft.)							18 590	18 590						
							(40,540)	(40,540)						
6.0 m (20 ft.)			24 030	24 030	20 180	20 180	17 960	15 640						
			(51,760)	(51,760)	(43,740)	(43,740)	(39,200)	(33,380)						
4.5 m (15 ft.)			28 170	28 170	22 240	21 160	18 940	15 290						
			(60,570)	(60,570)	(48,080)	(45,510)	(41,120)	(32,740)						
3.0 m (10 ft.)			31 890	29 020	24 270	20 180	19 970	14 780						
			(68,680)	(62,470)	(52,450)	(43,400)	(43,290)	(31,720)						
1.5 m (5 ft.)			33 940	27 780	25 680	19 380	20 660	14 310						
			(73,300)	(59,730)	(55,500)	(41,660)	(44,710)	(30,710)						
Ground Line			34 060	27 140	26,030	18 870	20 610	13 990						
			(73,720)	(58,300)	(56,270)	(40,540)	(44,450)	(30,040)						
-1.5 m (-5 ft.)			37 400	37 400	32 420	26 950	24 990	18 660	19 060	13 920				
			(86,600)	(86,600)	(70,180)	(57,870)	(53,930)	(40,100)						
-3.0 m (-10 ft.)	37 120	37 120	37 090	37 090	28 750	27 130	21 820	18 800						
	(84,430)	(84,430)	(80,340)	(80,340)	(61,990)	(58,270)	(46,550)	(40,460)						
-4.5 m (-15 ft.)			28 290	28 290	21 550	21 550								
			(60,460)	(60,460)	(45,370)	(45,370)								
With 2.9-m <sup>3</sup> (3.79 cu. yd.) bucket, 4.4-m (14 ft. 4 in.) arm, 8.4-m (27 ft. 7 in.) boom, and 750-mm (30 in.) double-bar grouser shoes														
9.0 m (30 ft.)									(27,690)	(27,690)	10 020	10 020		
7.5 m (25 ft.)									13 530	13 530	12 670	12 670		
									(29,450)	(29,450)	(26,640)	(26,640)		
6.0 m (20 ft.)							16 970	16 970	14 840	14 840	13 490	12 650	9300	9300
							(36,620)	(36,620)	(32,180)	(32,180)	(29,370)	(27,100)	(16,450)	(16,450)
4.5 m (15 ft.)			25 250	25 250	19 610	19 610	16 420	16 000	14 420	12 220	12 000	9450		
			(54,120)	(54,120)	(42,250)	(42,250)	(35,520)	(34,410)	(31,320)	(26,220)	(23,410)	(20,160)		
3.0 m (10 ft.)			29 590	28 850	22 180	20 420	18 010	15 260	15 400	11 760	13 670	9210		
			(63,590)	(62,210)	(47,810)	(44,000)	(38,940)	(32,830)	(33,400)	(25,250)	(27,730)	(19,700)		
1.5 m (5 ft.)			28 890	27 400	24 200	19 450	19 360	14 620	16 260	11 350	14 110	8970		
			(69,870)	(58,990)	(52,240)	(41,880)	(41,870)	(31,450)	(35,220)	(24,360)	(29,650)	(19,210)		
Ground Line			28 790	26 660	25 380	18 810	20 260	14 150	16 820	11 030	14 120	8790		
			(68,030)	(57,310)	(54,870)	(40,460)	(43,820)	(30,430)	(36,390)	(23,690)	(26,770)	(18,860)		
-1.5 m (-5 ft.)			16 350	16 350	33 260	26 380	25 660	18 470	20 540	13 870	16 910	10 850		
			(37,550)	(37,550)	(72,030)	(56,680)	(55,510)	(39,720)	(44,410)	(29,830)	(36,500)	(23,300)		
-3.0 m (-10 ft.)	16 530	16 530	24 950	24 950	31 890	26 420	24 980	18 390	20 050	13 790	16 230	10 830		
	(37,410)	(37,410)	(57,060)	(57,060)	(69,030)	(56,750)	(54,000)	(39,550)	(43,250)	(29,670)	(34,820)	(23,300)		
-4.5 m (-15 ft.)	25 420	25 420	36 210	36 210	29 280	26 720	23 170	18 560	18 450	13 940				
	(57,580)	(57,580)	(81,680)	(81,680)	(63,220)	(57,420)	(49,890)	(39,940)	(39,500)	(30,020)				
-6.0 m (-20 ft.)			31 730	31 730	24 960	24 960	19 640	19 020	14 570	14 440				
			(68,100)	(68,100)	(53,450)	(53,450)	(41,730)	(41,000)						

**Lift Charts**

**ZX870LC-6**

**Boldface type indicates hydraulically limited capacity; lightface type indicates stability-limited capacities, in kg (lb.).** Ratings at bucket lift hook; machine equipped with standard gauge and situated on firm, uniform supporting surface. Total load includes weight of cables, hook, etc. Figures do not exceed 87 percent of hydraulic capacities or 75 percent of weight needed to tip machine. All lift capacities are based on ISO 10567 (with power boost).

Load Point Height	3.0 m (10 ft.)		4.5 m (15 ft.)		6.0 m (20 ft.)		7.5 m (25 ft.)		9.0 m (30 ft.)		10.5 m (35 ft.)		12.0 m (40 ft.)	
Horizontal Distance from														
Centerline of Rotation	Over Front	Over Side	Over Front	Over Side	Over Front	Over Side	Over Front	Over Side	Over Front	Over Side	Over Front	Over Side	Over Front	Over Side
With 3.5-m <sup>3</sup> (4.58 cu. yd.) bucket, 3.7-m (12 ft. 2 in.) arm, 8.4-m (27 ft. 7 in.) boom, and 900-mm (36 in.) double-bar grouser shoes														
9.0 m (30 ft.)									13 880	13 880				
									(30,450)	(30,450)				
7.5 m (25 ft.)									14 650	14 650	13 100	12 690		
									(31,870)	(31,870)	(25,050)	(25,050)		
6.0 m (20 ft.)					22 870	22 870	18 430	18 430	15 890	15 890	14 330	12 490		
					(48,970)	(48,970)	(39,740)	(39,740)	(34,440)	(34,440)	(31,210)	(26,730)		
4.5 m (15 ft.)					27 610	27 610	20 980	20 980	17 360	15 870	15 160	12 130		
					(59,130)	(59,130)	(45,190)	(45,190)	(37,560)	(34,130)	(32,930)	(26,030)		
3.0 m (10 ft.)					31 520	28 480	23 340	20 280	18 810	15 200	16 010	11 740		
					(67,720)	(61,420)	(50,310)	(43,710)	(40,670)	(32,710)	(34,700)	(25,190)		
1.5 m (5 ft.)					25 410	25 410	25 010	19 470	19 950	14 660	16 690	11 390		
					(61,700)	(59,000)	(54,000)	(41,920)	(43,140)	(31,520)	(36,140)	(24,460)		
Ground Line					29 580	26 980	25 770	18 980	20 580	14 280	17 020	11 140		
					(69,890)	(57,990)	(55,720)	(40,830)	(44,500)	(30,710)	(36,790)	(23,940)		
-1.5 m (-5 ft.)			18 560	18 560	32 750	26 910	25 590	18 780	20 520	14 090	16 750	11 040		
			(42,710)	(42,710)	(70,990)	(57,790)	(55,360)	(40,370)	(44,340)	(30,310)	(36,070)	(23,740)		
-3.0 m (-10 ft.)	20 700	20 700	30 190	30 190	30 770	27 080	24 400	18 810	19 560	14 110				
	(46,800)	(46,800)	(69,030)	(69,030)	(66,640)	(58,170)	(52,720)	(40,460)	(42,110)	(30,370)				
-4.5 m (-15 ft.)			34 430	34 430	27 470	27 470	21 900	19 090	17 090	14 390				
			(74,510)	(74,510)	(59,280)	(59,100)	(47,040)	(41,100)	(36,210)	(31,050)				
-6.0 m (-20 ft.)			27 450	27 450	22 090	22 090	17 000	17 000						
			(58,690)	(58,690)	(46,990)	(46,990)	(35,450)	(35,450)						
With 2.9-m <sup>3</sup> (3.79 cu. yd.) bucket, 4.4-m (14 ft. 5 in.) arm, 8.4-m (27 ft. 7 in.) boom, and 900-mm (36 in.) double-bar grouser shoes														
9.0 m (30 ft.)											10 020	10 020		
											(27,690)	(27,690)	(19,450)	(19,450)
7.5 m (25 ft.)									13 530	13 530	12 670	12 670		
									(29,450)	(29,450)	(26,640)	(26,640)		
6.0 m (20 ft.)							16 970	16 970	14 840	14 840	13 490	12 810	9300	9300
							(36,620)	(36,620)	(32,180)	(32,180)	(29,370)	(27,740)	(16,450)	(16,450)
4.5 m (15 ft.)					25 250	25 250	19 610	19 610	16 420	16 190	14 420	12 370	12 000	9580
					(54,120)	(54,120)	(42,250)	(42,250)	(35,520)	(34,820)	(31,320)	(26,550)	(23,410)	(20,450)
3.0 m (10 ft.)					29 590	29,170	22 180	20 660	18 010	15 450	15 400	11 910	13 670	9340
					(63,590)	(62,900)	(47,810)	(44,520)	(38,940)	(33,230)	(33,400)	(25,580)	(27,730)	(19,980)
1.5 m (5 ft.)					28 890	27 720	24 200	19 690	19 360	14 810	16 260	11 500	14 110	9100
					(69,870)	(59,690)	(52,240)	(42,400)	(41,870)	(31,860)	(35,220)	(24,700)	(29,650)	(19,500)
Ground Line					28 790	26 980	25 380	19 040	20 260	14 340	16 820	11 180	14 290	8920
					(68,030)	(58,010)	(54,870)	(40,980)	(43,820)	(30,830)	(36,390)	(24,020)	(26,770)	(19,140)
-1.5 m (-5 ft.)			16 350	16 350	33 260	26 710	25 660	18 710	20 540	14 060	16 910	11 000		
			(37,550)	(37,550)	(72,030)	(57,370)	(55,510)	(40,230)	(44,410)	(30,230)	(36,500)	(23,640)		
-3.0 m (-10 ft.)	16 530	16 530	24 950	24 950	31 890	26 740	24 980	18 630	20 050	13 980	16 230	10 980		
	(37,410)	(37,410)	(57,060)	(57,060)	(69,030)	(57,450)	(54,000)	(40,060)	(43,250)	(30,070)	(34,820)	(23,640)		
-4.5 m (-15 ft.)	25 420	25 420	36 210	36 210	29 280	27 050	23 170	18 800	18 450	14 130				
	(57,580)	(57,580)	(81,680)	(81,680)	(63,220)	(58,120)	(49,890)	(40,450)	(39,500)	(30,430)				
-6.0 m (-20 ft.)			31 730	31 730	24 960	24 960	19 640	19 260	14 570	14 570				
			(68,100)	(68,100)	(53,450)	(53,450)	(41,730)	(41,520)						

# SPECIFICATIONS

## ZX870LC-6

### Lift Charts

### ZX870LC-6

**Boldface type** indicates hydraulically limited capacity; **lightface type** indicates stability-limited capacities, in kg (lb.). Ratings at bucket lift hook; machine equipped with standard gauge and situated on firm, uniform supporting surface. Total load includes weight of cables, hook, etc. Figures do not exceed 87 percent of hydraulic capacities or 75 percent of weight needed to tip machine. All lift capacities are based on ISO 10567 (with power boost).

Load Point Height	1.5 m (5 ft.)		3.0 m (10 ft.)		4.5 m (15 ft.)		6.0 m (20 ft.)		7.5 m (25 ft.)		9.0 m (30 ft.)		10.5 m (35 ft.)		12.0 m (40 ft.)		13.5 m (45 ft.)		
Horizontal Distance from Centerline of Rotation	Over Front	Over Side	Over Front	Over Side	Over Front	Over Side	Over Front	Over Side	Over Front	Over Side	Over Front	Over Side	Over Front	Over Side	Over Front	Over Side	Over Front	Over Side	
With 2.3-m <sup>3</sup> (3.01 cu. yd.) bucket, 5.4-m (17 ft. 9 in.) arm, 8.4-m (27 ft. 7 in.) boom, and 900-mm (36 in.) double-bar grouser shoes																			
10.5 m (35 ft.)														7900	7900				
														(15,910)	(15,910)				
9.0 m (30 ft.)														9200	9200	5930	5930		
														(19,730)	(19,730)				
7.5 m (25 ft.)														10 200	10 200	8360	8360		
														(22,080)	(22,080)	(16,960)	(16,960)		
6.0 m (20 ft.)											12 310	12 310	11 660	11 660	9880	9880			
											(26,700)	(26,700)	(25,210)	(25,210)	(20,710)	(20,710)			
4.5 m (15 ft.)							21 680	21 680	17 380	17 380	14 830	14 830	13 180	12 680	11 460	9840	5780	5780	
							(46,510)	(46,510)	(37,480)	(37,480)	(32,110)	(32,110)	(28,630)	(27,200)	(24,150)	(21,030)			
3.0 m (10 ft.)							26 460	26 460	20 200	20 200	16 610	15 800	14 320	12 140	12 780	9500	6950	6950	
							(56,880)	(56,880)	(43,570)	(43,570)	(35,920)	(33,990)	(31,050)	(26,060)	(27,780)	(20,340)	(11,420)	(11,420)	
1.5 m (5 ft.)							30 210	28 350	22 650	20 060	18 220	15 040	15 390	11 640	13 440	9180	7070	7070	
							(65,120)	(61,050)	(48,900)	(43,200)	(39,410)	(32,340)	(33,330)	(24,980)	(29,150)	(19,650)			
Ground Line					10 910	10 910	31 520	27 140	24 390	19 190	19 470	14 420	16 220	11 220	13 920	8910			
					(25,350)	(25,350)	(70,030)	(58,370)	(52,710)	(41,280)	(42,110)	(31,010)	(35,120)	(24,090)	(30,140)	(19,090)			
-1.5 m (-5 ft.)			7900	7900	15 260	15 260	33 060	26 520	25 270	18 640	20 180	14 010	16 680	10 930	14 070	8730			
			(17,940)	(17,940)	(35,000)	(35,000)	(71,780)	(56,980)	(54,670)	(40,070)	(43,650)	(30,100)	(36,070)	(23,460)	(30,330)	(18,730)			
-3.0 m (-10 ft.)	10 450	10 450	13 570	13 570	21 250	21 250	32 710	26 310	25 270	18 380	20 230	13 790	16 590	10 780	13 360	8690			
	(23,480)	(23,480)	(30,700)	(30,700)	(48,560)	(48,560)	(70,770)	(56,520)	(54,630)	(39,520)	(43,710)	(29,650)	(35,780)	(23,170)	(23,920)	(18,700)			
-4.5 m (-15 ft.)	16 070	16 070	20 110	20 110	29 200	29 200	31 050	26 420	24 260	18 390	19 430	13 780	15 660	10 820					
	(36,160)	(36,160)	(45,550)	(45,550)	(66,830)	(66,830)	(67,080)	(56,770)	(52,360)	(39,550)	(41,840)	(29,650)	(33,480)	(23,310)					
-6.0 m (-20 ft.)			28 310	28 310	36 610	36 610	27 970	26 830	21 990	18 650	17 360	14 020							
			(64,350)	(64,350)	(78,800)	(78,800)	(60,140)	(57,700)	(47,140)	(40,170)	(36,940)	(30,230)							
-7.5 m (-25 ft.)					29 490	29 490	22 810	22 810	17 610	17 610									
					(62,630)	(62,630)	(48,310)	(48,310)	(36,860)	(36,860)									
With 4.5-m <sup>3</sup> (5.89 cu. yd.) bucket, 2.95-m (9 ft. 8 in.) BE arm, 7.1-m (23 ft. 4 in.) BE boom, and 900-mm (36 in.) double-bar grouser shoes																			
7.5 m (25 ft.)									18 590	18 590									
									(40,540)	(40,540)									
6.0 m (20 ft.)							24 030	24 030	20 180	20 180	17 960	15 960							
							(51,760)	(51,760)	(43,740)	(43,740)	(39,200)	(34,080)							
4.5 m (15 ft.)							28 170	28 170	22 240	21 570	18 940	15 620							
							(60,570)	(60,570)	(48,080)	(46,390)	(41,120)	(33,440)							
3.0 m (10 ft.)							31 890	29 570	24 270	20 590	19 970	15 100							
							(68,680)	(63,670)	(52,450)	(44,280)	(43,290)	(32,410)							
1.5 m (5 ft.)							33 940	28 330	25 680	19 790	20 660	14 630							
							(73,300)	(60,930)	(55,500)	(42,540)	(44,710)	(31,400)							
Ground Line							34 060	27 700	26 030	19 270	20 610	14 310							
							(73,720)	(59,500)	(56,270)	(41,420)	(44,450)	(30,730)							
-1.5 m (-5 ft.)					37 400	37 400	32 420	27 510	24 990	19 070	19 060	14 240							
					(86,600)	(86,600)	(70,180)	(59,060)	(53,930)	(40,980)									
-3.0 m (-10 ft.)			37 120	37 120	37 090	37 090	28 750	27 690	21 820	19 210									
			(84,430)	(84,430)	(80,340)	(80,340)	(61,990)	(59,470)	(46,550)	(41,340)									
-4.5 m (-15 ft.)					28 290	28 290	21 550	21 550											
					(60,460)	(60,460)	(45,370)	(45,370)											



**Lift Charts**

**ZX870LC-6**

**Boldface type indicates hydraulically limited capacity; lightface type indicates stability-limited capacities, in kg (lb.).** Ratings at bucket lift hook; machine equipped with standard gauge and situated on firm, uniform supporting surface. Total load includes weight of cables, hook, etc. Figures do not exceed 87 percent of hydraulic capacities or 75 percent of weight needed to tip machine. All lift capacities are based on ISO 10567 (with power boost).

Load Point Height	3.0 m (10 ft.)		4.5 m (15 ft.)		6.0 m (20 ft.)		7.5 m (25 ft.)		9.0 m (30 ft.)		10.5 m (35 ft.)		12.0 m (40 ft.)		13.5 m (45 ft.)		15 m (50 ft.)		
Horizontal Distance from Centerline of Rotation	Over Front	Over Side	Over Front	Over Side	Over Front	Over Side	Over Front	Over Side	Over Front	Over Side	Over Front	Over Side	Over Front	Over Side	Over Front	Over Side	Over Front	Over Side	
With 2-m <sup>3</sup> (2.63 cu. yd.) bucket, 4.4-m (14 ft. 5 in.) arm, 10-m (32 ft. 10 in.) boom, and 900-mm (36 in.) double-bar grouser shoes																			
10.5 m (35 ft.)															7660	7660			
											(21,430)	(21,430)							
9.0 m (30 ft.)											10 150	10 150	9760	9760					
											(22,130)	(22,130)	(21,450)	(21,450)					
7.5 m (25 ft.)											10 900	10 900	10 130	10 050	7460	7460			
											(23,660)	(23,660)	(22,110)	(21,480)					
6.0 m (20 ft.)							16 520	16 520	13 630	13 630	11 860	11 860	10 720	9730	10 030	7570			
							(35,420)	(35,420)	(29,380)	(29,380)	(25,670)	(25,670)	(23,320)	(20,840)	(20,810)	(16,080)			
4.5 m (15 ft.)							19 240	19 240	15 300	15 230	12 930	11 830	11 410	9330	10 420	7370			
							(41,260)	(41,260)	(32,950)	(32,850)	(27,960)	(25,450)	(24,750)	(20,000)	(22,710)	(15,710)			
3.0 m (10 ft.)							21 600	18 730	16 860	14 330	13 990	11 230	12 110	8930	10 850	7140			
							(46,410)	(40,460)	(36,330)	(30,900)	(30,220)	(24,160)	(26,240)	(19,160)	(23,590)	(15,260)			
1.5 m (5 ft.)							23 190	17 810	18 100	13 630	14 890	10 730	12 730	8580	11 230	6920			
							(49,970)	(38,410)	(39,060)	(29,360)	(32,180)	(23,070)	(27,570)	(18,410)	(24,350)	(14,800)			
Ground Line							23 960	17 320	18 920	13 150	15 550	10 350	13 190	8310	11 300	6760			
							(51,760)	(37,280)	(40,870)	(28,310)	(33,600)	(22,260)	(28,550)	(17,840)	(24,280)	(14,480)			
-1.5 m (-5 ft.)					13 350	13 350	24 070	17 110	19 270	12 890	15 880	10 120	13 400	8150	11 230	6690			
					(31,420)	(31,420)	(52,080)	(36,810)	(41,660)	(27,730)	(34,320)	(21,760)	(28,960)	(17,500)					
-3.0 m (-10 ft.)			11 970	11 970	20 970	20 970	23 610	17 120	19 130	12 810	15 810	10 040	13 240	8110					
			(27,640)	(27,640)	(48,640)	(48,640)	(51,100)	(36,800)	(41,350)	(27,550)	(34,130)	(21,590)	(28,510)	(17,430)					
-4.5 m (-15 ft.)	15 260	15 260	20 150	20 150	27 960	25 110	22 560	17 290	18 430	12 900	15 210	10 120	12 440	8240					
	(34,670)	(34,670)	(46,110)	(46,110)	(60,590)	(53,910)	(48,790)	(37,180)	(39,780)	(27,760)	(32,730)	(21,780)	(26,420)	(17,800)					
-6.0 m (-20 ft.)	23 300	23 300	29 880	29 880	25 530	25 530	20 770	17 650	16 990	13 180	13 760	10 400							
	(52,950)	(52,950)	(68,530)	(68,530)	(55,120)	(55,060)	(44,760)	(37,990)	(36,480)	(28,400)	(29,210)	(22,460)							
-7.5 m (-25 ft.)			26 930	26 930	21 900	21 900	17 840	17 840	14 240	13 730									
			(57,740)	(57,740)	(46,870)	(46,870)	(38,010)	(38,010)	(29,900)	(29,720)									
With 1.9-m <sup>3</sup> (2.48 cu. yd.) bucket, 5.4-m (17 ft. 9 in.) arm, 10-m (32 ft. 10 in.) boom, and 900-mm (36 in.) double-bar grouser shoes																			
10.5 m (35 ft.)														8490	8490				
														(18,760)	(18,760)				
9.0 m (30 ft.)														8720	8720	7740	7740		
														(19,090)	(19,090)	(14,560)	(14,560)		
7.5 m (25 ft.)												9860	9860	9220	9220	8830	8130		
												(21,400)	(21,400)	(20,090)	(20,090)	(19,360)	(17,280)		
6.0 m (20 ft.)								12 360	12 360	10 880	10 880	9890	9890	9240	7930	5370	5370		
								(26,650)	(26,650)	(23,560)	(23,560)	(21,490)	(21,490)	(20,150)	(16,900)				
4.5 m (15 ft.)							17 400	17 400	14 090	14 090	12 030	12 030	10 670	9680	9740	7660	7390	6000	
							(37,340)	(37,340)	(30,370)	(30,370)	(26,020)	(26,020)	(23,130)	(20,760)	(21,190)	(16,360)	(12,260)	(12,260)	
3.0 m (10 ft.)							19 980	19 620	15 790	14 910	13 190	11 640	11 470	9230	10 270	7360	8460	5850	
							(42,950)	(42,370)	(34,040)	(32,150)	(28,510)	(25,040)	(24,840)	(19,790)	(22,310)	(15,740)	(14,890)	(12,400)	
1.5 m (5 ft.)							21 990	18 390	17 250	14 050	14 240	11 040	12 210	8810	10 780	7090	8750	5700	
							(47,390)	(39,660)	(37,220)	(30,280)	(30,780)	(23,740)	(26,440)	(18,900)	(23,370)	(15,150)	(14,940)	(12,110)	
Ground Line							23 290	17 590	18 340	13 410	15 080	10 560	12 820	8470	11 180	6850	7710	5580	
							(50,280)	(37,890)	(39,620)	(28,880)	(32,610)	(22,710)	(27,750)	(18,170)	(24,220)	(14,670)			
-1.5 m (-5 ft.)					13 380	13 380	23 890	17 160	19 000	13 000	15 640	10 230	13 230	8220	11 240	6700			
					(31,210)	(31,210)	(51,670)	(36,920)	(41,080)	(27,970)	(33,810)	(21,990)	(28,610)	(17,640)	(24,150)	(14,340)			
-3.0 m (-10 ft.)			10 770	10 770	18 570	18 570	23 900	17 000	19 200	12 800	15 850	10 050	13 350	8090	11 180	6640			
			(15,910)	(15,910)	(24,720)	(24,720)	(42,930)	(42,930)	(51,710)	(36,560)	(41,520)	(27,520)	(34,250)	(21,590)	(28,820)	(17,370)	(24,060)	(14,250)	
-4.5 m (-15 ft.)	12 310	12 310	16 580	16 580	25 350	24 580	23 330	17 050	18 910	12 780	15 630	10 020	13 060	8090	9370	6740			
	(27,930)	(27,930)	(37,880)	(37,880)	(58,530)	(52,790)	(50,440)	(36,670)	(40,850)	(27,480)	(33,710)	(21,540)	(28,070)	(17,400)					
-6.0 m (-20 ft.)	18 200	18 200	23 580	23 580	27 630	25 000	22 100	17 300	18 010	12 940	14 820	10 150	12 050	8280					
	(41,300)	(41,300)	(53,950)	(53,950)	(59,690)	(53,740)	(47,680)	(37,230)	(38,790)	(27,850)	(31,810)	(21,870)	(25,490)	(17,890)					
-7.5 m (-25 ft.)	25 380	25 380	31 580	31 580	24 810	24 810	19 990	17 760	16 250	13 300	13 000	10 520							
	(57,800)	(57,800)	(67,920)	(67,920)	(53,320)	(53,320)	(42,880)	(38,270)	(34,680)	(28,710)	(27,340)	(22,780)							
-9.0 m (-30 ft.)			25 770	25 770	20 520	20 520	16 470	16 470	12 800	12 800									
			(54,680)	(54,680)	(43,480)	(43,480)	(34,640)	(34,640)	(26,220)	(26,220)									

**SPECIFICATIONS**

**ZX870LC-6**

**Lift Charts**

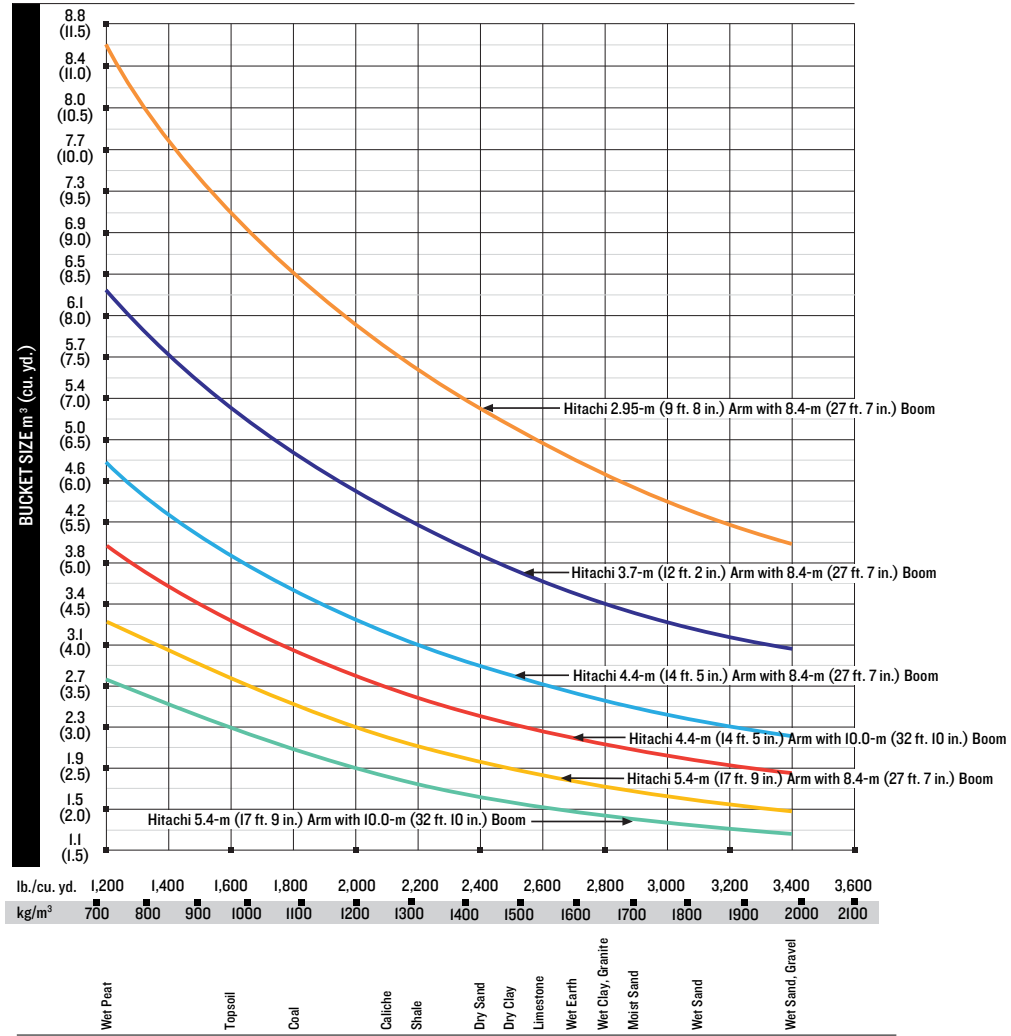
**Boldface type indicates hydraulically limited capacity; lightface type indicates stability-limited capacities, in kg (lb.). Ratings at bucket lift hook; machine equipped with standard gauge and situated on firm, uniform supporting surface. Total load includes weight of cables, hook, etc. Figures do not exceed 87 percent of hydraulic capacities or 75 percent of weight needed to tip machine. All lift capacities are based on ISO 10567 (with power boost).**

Load Point Height	3.0 m (10 ft.)		4.5 m (15 ft.)		6.0 m (20 ft.)		7.5 m (25 ft.)		9.0 m (30 ft.)		10.5 m (35 ft.)		12.0 m (40 ft.)		13.5 m (45 ft.)		
Horizontal Distance from Centerline of Rotation	Over Front	Over Side	Over Front	Over Side	Over Front	Over Side	Over Front	Over Side	Over Front	Over Side	Over Front	Over Side	Over Front	Over Side	Over Front	Over Side	
With 2-m <sup>3</sup> (2.63 cu. yd.) bucket, 4-4-m (14 ft. 5 in.) arm, 10-m (32 ft. 10 in.) boom, and 1020-mm (40 in.) double-bar grouser shoes																	
10.5 m (35 ft.)														7660	7660		
9.0 m (30 ft.)												(21,430)	(21,430)	9760	9760		
												(22,130)	(22,130)	(21,450)	(21,450)		
7.5 m (25 ft.)												10 900	10 900	10 130	10 130	7460	7460
												(23,660)	(23,660)	(22,110)	(21,730)		
6.0 m (20 ft.)							16 520	16 520	13 630	13 630	11 860	11 860	10 720	9840	10 030	7670	
							(35,420)	(35,420)	(29,380)	(29,380)	(25,670)	(25,670)	(23,320)	(21,080)	(20,810)	(16,290)	
4.5 m (15 ft.)							19 240	19 240	15 300	15 300	12 930	11 960	11 410	9440	10 420	7470	
							(41,260)	(41,260)	(32,950)	(32,950)	(27,960)	(25,730)	(24,750)	(20,240)	(22,710)	(15,920)	
3.0 m (10 ft.)							21 600	18 930	16 860	14 490	13 990	11 360	12 110	9040	10 850	7240	
							(46,410)	(40,900)	(36,330)	(31,250)	(30,220)	(24,450)	(26,240)	(19,400)	(23,590)	(15,470)	
1.5 m (5 ft.)							23 190	18 020	18 100	13 790	14 890	10 860	12 730	8690	11 230	7020	
							(49,970)	(38,850)	(39,060)	(29,710)	(32,180)	(23,360)	(27,570)	(18,660)	(24,350)	(15,020)	
Ground Line							23 960	17 520	18 920	13 310	15 550	10 490	13 190	8430	11 440	6850	
							(51,760)	(37,720)	(40,870)	(28,660)	(33,600)	(22,540)	(28,550)	(18,080)	(24,580)	(14,690)	
-1.5 m (-5 ft.)					13 350	13 350	24 070	17 320	19 270	13 050	15 880	10 260	13 400	8260	11 370	6780	
					(31,420)	(31,420)	(52,080)	(37,240)	(41,660)	(28,070)	(34,320)	(22,050)	(28,960)	(17,740)			
-3.0 m (-10 ft.)			11 970	11 970	20 970	20 970	23 610	17 320	19 130	12 970	15 810	10 170	13 240	8220			
			(27,640)	(27,640)	(48,640)	(48,640)	(51,100)	(37,230)	(41,350)	(27,900)	(34,130)	(21,870)	(28,510)	(17,680)			
-4.5 m (-15 ft.)	15 260	15 260	20 150	20 150	27 960	25 380	22 560	17 490	18 430	13 060	15 210	10 250	12 440	8350			
	(34,670)	(34,670)	(46,110)	(46,110)	(60,590)	(54,510)	(48,790)	(37,620)	(39,780)	(28,110)	(32,730)	(22,060)	(26,420)	(18,050)			
-6.0 m (-20 ft.)	23 300	23 300	29 880	29 880	25 530	25 530	20 770	17 850	16 990	13 340	13 760	10 530					
	(52,950)	(52,950)	(68,530)	(68,530)	(55,120)	(55,120)	(44,760)	(38,420)	(36,480)	(28,750)	(29,210)	(22,750)					
-7.5 m (-25 ft.)			26 930	26 930	21 900	21 900	17 840	17 840	14 240	13 890							
			(57,740)	(57,740)	(46,870)	(46,870)	(38,010)	(38,010)	(29,900)	(29,900)							

**Buckets**

A full line of buckets is offered to meet a wide variety of applications. Digging forces are with power boost. Buckets are equipped with ESCO teeth standard. Replaceable cutting edges and a variety of teeth are available through Hitachi parts. Optional side cutters add 150 mm (6 in.) to bucket widths. Capacities are SAE heaped ratings.

Type Bucket	Bucket Width		Bucket Capacity		Bucket Weight		Bucket Dig Force		Arm Dig Force 4.4 m (14 ft. 5 in.)		Arm Dig Force 5.4 m (17 ft. 9 in.)		ME Arm Dig Force 2.95 m (9 ft. 8 in.)		Bucket Tip Radius	Number of Teeth		
	mm	in.	m <sup>3</sup>	cu. yd.	kg	lb.	kN	lb.	kN	lb.	kN	lb.	kN	lb.			mm	in.
Heavy-Duty High Capacity	914	36	2.09	2.7	2767	6,100	360	80,973	264	59,251	230	51,673	361	81,247	2426	95.53	3	
	1067	42	2.55	3.3	2972	6,552	360	80,973	264	59,251	230	51,673	361	81,247	2426	95.53	4	
	1219	48	3.02	3.9	3177	7,004	360	80,973	264	59,251	230	51,673	361	81,247	2426	95.53	4	
	1372	54	3.49	4.6	3558	7,844	360	80,973	264	59,251	230	51,673	361	81,247	2426	95.53	5	
	1524	60	3.98	5.2	3572	7,875	360	80,973	264	59,251	230	51,673	361	81,247	2426	95.53	5	
Heavy Capacity Dirt	1829	72	4.96	6.5	3786	8,346	360	80,973	264	59,251	230	51,673	361	81,247	2426	95.53	6	
	2032	80	5.63	7.4	4519	9,963	360	80,973	264	59,251	230	51,673	361	81,247	2426	95.53	6	
	2286	90	5.81	7.6	4296	9,471	341	76,746	268	60,338	275	61,782	370	83,150	2303	90.66	7	
	Heavy-Duty	914	36	1.51	2.0	2510	5,534	372	83,647	276	62,098	300	67,336	384	86,270	2113	83.19	3
		1067	42	1.86	2.4	2761	6,087	372	83,647	276	62,098	300	67,336	384	86,270	2113	83.19	4
1219		48	2.22	2.9	2935	6,471	372	83,647	276	62,098	300	67,336	384	86,270	2113	83.19	4	
Truck Loading	1372	54	2.58	3.4	3091	6,814	372	83,647	276	62,098	300	67,336	384	86,270	2113	83.19	5	
	1524	60	2.95	3.9	3232	7,125	372	83,647	276	62,098	300	67,336	384	86,270	2113	83.19	5	
	2134	84	4.21	5.5	3285	7,242	363	81,638	274	61,607	238	53,456	380	85,393	2165	85.22	6	
	2337	92	4.63	6.0	3598	7,932	363	81,638	274	61,607	238	53,456	380	85,393	2165	85.22	8	



\*Contact your Hitachi dealer for optimum bucket and attachment selections. These recommendations are for general conditions and average use. Does not include optional equipment such as thumbs or couplers. Larger buckets may be possible when using light materials, for flat and level operations, less compacted materials, and volume loading applications such as mass-excavation applications in ideal conditions. Smaller buckets are recommended for adverse conditions such as off-level applications, rocks, and uneven surfaces. Bucket capacity indicated is SAE heaped.



## ADDITIONAL EQUIPMENT

### ZX670LC-6

### ZX870LC-6

Key: ● Standard ▲ Optional or special kit

670	870	Engine	670	870	Upperstructure	670	870	Operator's Station (continued)	
●	●	Auto-idle system	●	●	Right-hand and left-hand mirrors	●	●	Hydraulic warm-up control	
●	●	Batteries (2 – 12 volt), 280-min. reserve capacity	●	●	Vandal locks with ignition key: Cab door / Fuel cap / Service doors / Toolbox	●	●	Interior light	
●	●	Coolant expansion tank	●	●	Debris screen in side panel	●	●	Large cup holders (2)	
●	●	Dual-element dry-type air filter	●	●	Remote-mounted engine oil and fuel filters	●	●	Machine Information Center (MIC)	
●	●	Electronic engine control	●	●	Service platform, left side	●	●	Mode selectors (illuminated): Power modes (3) / Travel modes (2) / Work modes (2)	
●	●	Enclosed fan guard (conforms to SAE J1308)	●	●	Service handrails	▲	▲	Multifunction, color LCD monitor with: Diagnostic capability / Multiple-language capabilities / Maintenance tracking / Clock / System monitoring with alarm features: Auto-idle indicator, engine-air-cleaner-restriction indicator light, engine check, engine-coolant-temperature indicator light with audible alarm, engine-oil-pressure indicator light with audible alarm, low-alternator-charge indicator light, low-fuel indicator light, low DEF indication with audible alarm, fault-code-alert indicator, fuel-rate display, wiper-mode indicator, work-lights-on indicator and work-mode indicator	
●	●	Engine coolant to –37 deg. C (–34 deg. F)	▲	▲	Counterweight-removal system			●	Fluid-level switch and indicator light for engine coolant and engine oil
●	●	Automatic belt-tension device			<b>Front Attachments</b>			●	Motion alarm with cancel switch (conforms to SAE J994)
●	●	Fuel filter with water separator	●	●	Centralized lubrication system			●	Power-boost switch on right console lever
●	●	Full-flow oil filter	●	●	Dirt seals on all bucket pins			●	Propel pedals and levers
●	●	Turbocharger with charge air cooler	●	●	No-boom-arm option			●	SAE 2-lever control pattern
●	●	Cool-on-demand hydraulic-driven fan	▲	▲	Boom, 7.8 m (25 ft. 7 in.)			●	Seat belt, 51 mm (2 in.), retractable
●	●	Glow-plug start aid	▲	▲	Boom, mass excavating, 6.8 m (22 ft. 4 in.)			●	Tinted glass
●	●	500-hour engine-oil-change interval	▲	▲	Arm, mass excavating, 2.9 m (9 ft. 6 in.)			●	Transparent tinted overhead hatch
●	●	70% (35 deg.) off-level capability	▲	▲	Arm, 3.6 m (11 ft. 10 in.)			●	Hot/cold beverage compartment
●	●	Hydraulic fan reverser	▲	▲	Arm, 4.2 m (13 ft. 9 in.)			▲	Protection screens for cab front
		<b>Hydraulic System</b>	▲	▲	Arm, 5.3 m (17 ft. 5 in.)			▲	Seat belt, 76 mm (3 in.), non-retractable
●	●	Reduced-drift valve for boom down, arm in	▲	▲	Boom, 8.4 m (27 ft. 7 in.)			▲	Window vandal-protection covers
●	●	Auxiliary hydraulic valve section	▲	▲	Boom, 10 m (32 ft. 10 in.)				<b>Electrical</b>
●	●	Spring-applied, hydraulically released automatic swing brake	▲	▲	Boom, mass excavating, 7.1 m (23 ft. 4 in.)			●	50-amp alternator
●	●	Auxiliary hydraulic-flow adjustments through monitor	▲	▲	Arm, mass excavating, 2.95 m (9 ft. 8 in.)			●	Blade-type multi-fused circuits
●	●	Auto power lift	▲	▲	Arm, 3.7 m (12 ft. 1 in.)			●	Positive-terminal battery covers
●	●	4,000-hour hydraulic-oil-change interval	▲	▲	Arm, 4.4 m (14 ft. 5 in.)			●	Battery disconnect switch
▲	▲	Single-pedal propel control	▲	▲	Arm, 5.4 m (17 ft. 9 in.)			●	ZXLink™ wireless communication system (available in specific countries; see your dealer for details)
▲	▲	Control pattern change valve	▲	▲	Buckets: Heavy duty / Heavy-duty high capacity / Side cutters and teeth			▲	Cab extension wiring harness
		<b>Undercarriage</b>			<b>Operator's Station</b>				<b>Lights</b>
●	●	Planetary drive with axial piston motors	●	●	Adjustable independent-control positions (levers-to-seat, seat-to-pedals)			●	Work lights: Halogen / 2 mounted on boom / 1 mounted on frame / 2 mounted on top of cab
●	●	Propel motor shields	●	●	AM/FM radio				
●	●	Spring-applied, hydraulically released automatic propel brake	●	●	Auto climate control / air conditioner / heater / pressurizer				
●	●	Track guides, front idler and center	●	●	Cell-phone power outlet, 12 volt, 60 watt, 5 amp				
●	●	2-speed propel	●	●	Coat hook				
●	●	Upper carrier rollers (3)	●	●	Deluxe-suspension cloth seat with 100-mm (4 in.) adjustable armrests				
●	●	Sealed and lubricated track chain	●	●	Floor mat				
▲	▲	Double-bar grouser shoes, 650 mm (26 in.)	●	●	Front windshield wiper with intermittent speeds				
▲	▲	Double-bar grouser shoes, 750 mm (30 in.)	●	●	Gauges (illuminated): Diesel Exhaust Fluid (DEF) / Engine coolant / Fuel				
▲	▲	Double-bar grouser shoes, 900 mm (36 in.)	●	●	Horn, electric				
▲	▲	Double-bar grouser shoes, 1020 mm (40 in.)	●	●	Hour meter, electric				
			●	●	Hydraulic shutoff lever, all controls				

See your Hitachi dealer for further information.

Net engine power is with standard equipment including air cleaner, exhaust system, alternator and cooling fan, at test conditions specified per ISO 9249. No derating is required up to 2000-m (6,560 ft.) altitude. Specifications and design subject to change without notice. Wherever applicable, specifications are in accordance with SAE standards. Except where otherwise noted, these specifications are based on units with 1370-mm (54 in.) buckets, full fuel tanks and 79-kg (175 lb.) operators; a ZX670LC-6 unit with 9800-kg (21,605 lb.) counterweight; counterweight removal device and 900-mm (36 in.) double-bar grouser shoes; and a ZX870LC-6 unit with 12,400-kg (27,337 lb.) counterweight; counterweight removal device and 900-mm (36 in.) double-bar grouser shoes.

# HITACHI