

A large orange Hitachi excavator is shown in a construction setting, with its bucket full of dark rocks. The excavator's arm is extended from the top left towards the center. The background features a paved road with several white trucks and a clear blue sky. The excavator's tracks are visible at the bottom right, and a worker in an orange safety vest is seen inside the cab. The overall scene is brightly lit, suggesting a sunny day.

HITACHI

Reliable solutions

ZX350LC-6

ZX380LC-6

CONSTRUCTION EXCAVATORS



GAIN A COMPETITIVE

Packed with productivity-boosting advantages, the ZX350LC-6 and ZX380LC-6 bring efficiency, reliability and durability to your jobsites. A fuel-efficient EPA Final Tier 4 (FT4)/EU Stage IV Isuzu engine meets rigid emission standards – no diesel particulate filter (DPF) needed. You also get an upgraded, wider cab and premium seat options for maximum comfort. Easy-to-operate controls for smooth and responsive hydraulics. And efficient, accessible features like a battery disconnect switch, standard pattern-control switch and fuel shut off.

With these excavators, you'll stay

■ **MOVING AHEAD
NEVER BEHIND.**

ZX350LC-6
ZX380LC-6

WE EDGE.





EFFICIENT FUEL SYSTEM

The pressurized fuel system improves fuel injector operation, and the fuel recirculation system helps prevent fuel gelling in cold climates – so you can maintain maximum productivity.

SINGLE-PEDAL PROPEL

An optional, hydraulic, single-pedal propel system allows straight-line machine tracking without articulating both hand and foot pedals.

ENGINE AIR PRE-CLEANER

An optional, adjustable, rotary pre-cleaner pulls clean air into the engine when working in tough conditions.

AUXILIARY LINES

Optional auxiliary hydraulic lines with combination piping increase machine versatility.

ZX350LC-6
ZX380LC-6

MORE DONE. LESS EFFORT.

Available for the ZX350LC-6, choose from Solution Linkage 2D or 3D Grade Control, or opt for Solution Linkage 2D or 3D Grade Guidance with easy paths for future upgrades. These technology options help offer efficiency for your crew and provide factory-integrated precision – backed by your Hitachi dealer, ready to work on day one.

Both excavators feature our HIOS III hydraulic system, which balances engine performance with hydraulic flow, returning the arm to dig faster. Plus, three work modes – High Productivity, Power and Economy – provide fuel-efficient performance.

These workhorses offer ■ BIG PRODUCTIVITY, BIG PERFORMANCE.



SOLUTION LINKAGE GRADE CONTROL

Fully integrated Grade Control provides 3D control. The operator controls the arm as the machine automatically controls the boom and bucket. Additional features include overdig protection, virtual fence and in-cab real-time distance to target.

SOLUTION LINKAGE GRADE GUIDANCE

2D or 3D Grade Guidance options arm operators with elevation and position of bucket cutting-edge relative to target plane (2D) or design surface (3D). Indication of distance to grade is in real time. Upgradeable to automatic control.



FULL INTEGRATION

Solution Linkage is fully integrated from the monitor in the cab, to the components on the machine. Wire harnesses are thoughtfully routed and sensors are covered and protected from damage.

ZX350LC-6
ZX380LC-6

MORE COMFORT. MORE PRODUCTIVITY.

It's true – comfortable operators are more productive. And operators are set for success inside our spacious cabs, now four inches wider. Premium seat options ensure comfort, and silicone-filled cab mounts isolate noise and vibration. A multifunction LCD monitor, programmable attachment modes, low-effort controls, expanded visibility and more features contribute to productivity.

These cabs keep operators
COMFORTABLY PRODUCTIVE.



SIMPLE MONITORING

Multi-language LCD monitor and rotary dial provide intuitive access to machine info and functions. Just turn and tap to select work modes, monitor maintenance intervals, check diagnostic codes and set cab temperature. A USB port keeps you digitally connected.



SMOOTH OPERATION

Ergonomically correct short-throw pilot levers provide smooth, precise control with less effort. Pushbuttons in the right lever allow control of auxiliary hydraulic flow for attachments. Optional sliding switch provides proportional speed control, giving you full command from your fingertips.



ENHANCED VISIBILITY

Get unobstructed all-around visibility thanks to a new hood design paired with a wide expanse of front, side, and overhead glass and mirrors.





PROGRAMMABLE ATTACHMENT MODE

Toggle between attachments and adjust flow and pressure based on attachment requirements right in the monitor.

PREMIUM SEATING

Operators get maximum support from a sculpted mechanical suspension high-back seat. For ultimate comfort, opt for the premium heated/cooled leather seat that adjusts three ways and includes a 3-inch high-visibility orange seat belt.

EXTRA LIGHTING

Optional cab and right-side boom lights provide extra illumination to extend your production.

CLIMATE CONTROL

Automatic, high-velocity bi-level climate-control system with automotive-style adjustable louvers helps keep the glass clear, the cab comfortable and the operator productive.



FT4 TECHNOLOGY

Our field-proven technology is simple and efficient, employing cooled exhaust gas recirculation (EGR), a diesel oxidation catalyst (DOC) and selective catalytic reduction (SCR). An improved piston design allows particulate matter to be burned in cylinder, so there's no need for a diesel particulate filter (DPF).

REINFORCED SIDE FRAMES

Reinforced D-channel side frames provide maximum cab and component impact protection.

ADDED UNDERCOVERS

Standard main frame undercovers and an optional track frame undercover provide an extra layer of protection.

LONG-LASTING STRENGTH

With large idlers, rollers and strutted track links, the sealed and lubricated undercarriage is built for the long haul.

ZX350LC-6
ZX380LC-6

DURABILITY BUILT-IN. DOWNTIME TOSSED OUT.

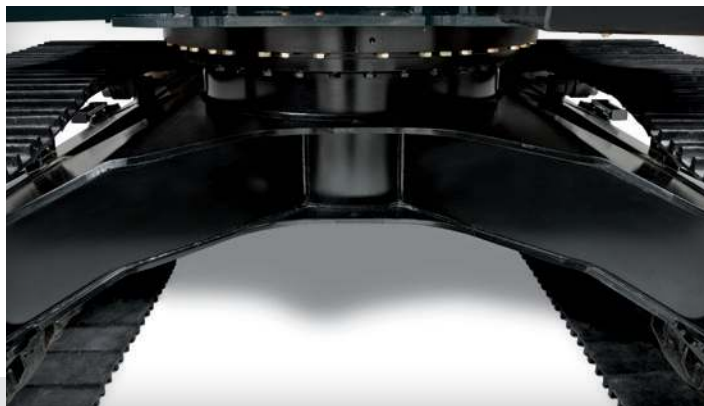
The ZX350LC-6 and ZX380LC-6 are built with toughness you can count on. They're protected by a heavy-duty undercarriage and durable D-channel side frames. Added strength comes from welded bulkheads within the boom that resist torsional stress, tungsten-carbide thermal-coated arm surfaces and oil-impregnated bushings. The boom, arm and mainframe are so tough, they're warranted for three years or 10,000 hours, whichever comes first.

These excavators give you
■ **BIG-TIME UPTIME.**



EXTENDED SERVICE INTERVALS

Oil-impregnated bushings enhance durability and extend lube intervals to 500 hours for the arm-and-boom joint and 100 hours for the bucket joint.



ROCK-SOLID FRAME

Thick-plate single-sheet mainframe, box-section track frames and double-seal swing bearing deliver rock-solid durability.



ZX350LC-6
ZX380LC-6

LESS MAINTENANCE. MORE UPTIME.

Maximize uptime with the ZX350LC-6 and ZX380LC-6. No diesel particulate filter (DPF) is needed with the FT4 engine solution. Convenient upperstructure handrails provide easy engine access. A standard pattern-control switch and fuel shutoff contribute to efficiency. Grouped service points and extended service intervals help keep you up and running longer. Scheduled maintenance is easy to track using ZXLink™ and the in-cab diagnostic monitor.

Simple servicing gives you
■ **LOWER OPERATING COSTS.**



MONITOR LEVELS

Easy-to-navigate LCD monitor issues scheduled maintenance alerts and diagnostic information. Additionally, the hydraulic temperature gauge on the monitor screen helps prevent downtime.



CENTRALIZED SERVICING

Centralized lube banks place zerks within easy reach, making greasing less messy and time-consuming.



GROUPED FILTERS

Engine oil, fuel and hydraulic pilot oil filters are all located on the same side at ground level for easy servicing.





STANDARD HANDRAILS

Upperstructure handrails provide added safety when servicing the engine compartment, and a larger hood gives you better engine accessibility.

AUTO-IDLE AND AUTO-SHUTDOWN

Auto-idle, which reduces engine speed when hydraulics aren't in use, and auto-shutdown contribute to fuel efficiency.

ACCESSIBLE EFFICIENCY

A battery disconnect switch, located in the rear door behind the cab, is easily accessible and extends battery life. A composite battery cover does not require tools to remove and allows for improved access to battery service.

NO DPF NEEDED

The FT4 engine solution does not require a diesel particulate filter (DPF), saving service time and lowering operating costs.

SPECIFICATIONS

ZX350LC-6

| | | | |
|---|--|---------------------|--------------------|
| Engine | ZX350LC-6 | | |
| Manufacturer and Model | Isuzu 6HK1 | | |
| Non-Road Emission Standard | EPA Final Tier 4 / EU Stage IV | | |
| Net Rated Power (ISO 9249) | 202 kW (271 hp) at 1,900 rpm | | |
| Cylinders | 6 | | |
| Displacement | 7.8 L (475 cu. in.) | | |
| Off-Level Capacity | 70% (35 deg.) | | |
| Aspiration | Turbocharged, air-to-air charge-air cooler | | |
| Cooling | High efficiency direct-driven, suction-type fan and cool-on-demand hydraulic-driven, suction-type fan with remote-mounted drive for hydraulic oil cooler | | |
| Powertrain | 2-speed propel with automatic shift | | |
| Maximum Travel Speed | | | |
| Low | 3.2 km/h (2.0 mph) | | |
| High | 5.0 km/h (3.1 mph) | | |
| Drawbar Pull | 30 350 kg (66,900 lb.) | | |
| Hydraulics | Open center, pilot controlled | | |
| Main Pumps | 2 variable-displacement pumps | | |
| Maximum Rated Flow | 288 L/m (76.1 gpm) x 2 | | |
| System Operating Pressure | | | |
| Circuits | | | |
| Implement | 34 300 kPa (4,975 psi) | | |
| Travel | 35 500 kPa (5,149 psi) | | |
| Swing | 33 300 kPa (4,830 psi) | | |
| Power Boost | 38 000 kPa (5,511 psi) | | |
| Controls | Pilot levers, short-stroke, low-effort hydraulic pilot controls with shutoff lever | | |
| Cylinders | Heat-treated, chrome-plated, polished cylinder rods, hardened steel (replaceable bushings) pivot pins | | |
| | Bore | Rod Diameter | Stroke |
| Boom (2) | 145 mm (5.7 in.) | 100 mm (3.9 in.) | 1520 mm (59.8 in.) |
| Arm (1) | 170 mm (6.7 in.) | 115 mm (4.5 in.) | 1740 mm (68.5 in.) |
| Bucket (1) | 140 mm (5.5 in.) | 95 mm (3.7 in.) | 1250 mm (49.2 in.) |
| Electrical | | | |
| Number of Batteries (12 volt) | 2 | | |
| Battery Capacity | 1,000 CCA | | |
| Alternator Rating | 50 amp | | |
| Work Lights | 2 halogen (one mounted on boom, one on frame) | | |
| Undercarriage | | | |
| Rollers (each side) | | | |
| Carrier | 2 | | |
| Track | 8 | | |
| Shoes, Triple Semi-Grousers (each side) | 48 | | |
| Track | | | |
| Adjustment | Hydraulic | | |
| Guides | 3 per side | | |
| Chain | Sealed and lubricated | | |
| Ground Pressure | | | |
| 800-mm (32 in.) Triple Semi-Grouser Shoes | 49.3 kPa (7.15 psi) | | |
| Swing Mechanism | | | |
| Speed | 10.7 rpm | | |
| Torque | 120 000 Nm (88,500 lb.-ft.) | | |

Serviceability ZX350LC-6

| Refill Capacities | |
|---------------------------------|-------------------|
| Fuel Tank | 630 L (166 gal.) |
| Diesel Exhaust Fluid (DEF) Tank | 70 L (18 gal.) |
| Cooling System | 45 L (12 gal.) |
| Engine Oil with Filter | 48 L (13 gal.) |
| Hydraulic Tank | 180 L (48 gal.) |
| Hydraulic System | 340 L (90 gal.) |
| Swing Drive | 15.7 L (16.6 qt.) |
| Gearbox | |
| Propel (each) | 9.2 L (9.7 qt.) |
| Pump Drive | 1.1 L (1.2 qt.) |

Operating Weights

With full fuel tank; 79-kg (175 lb.) operator; 1.4-m³ (1.8 cu. yd.), 1370-mm (54 in.), 1160-kg (2,557 lb.) bucket; 4.0-m (13 ft. 1 in.) arm; 6900-kg (15,212 lb.) counterweight; and 800-mm (32 in.) triple semi-grouser shoes

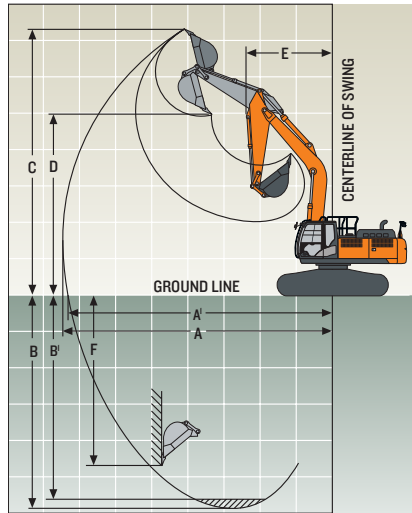
| | |
|------------------|------------------------|
| Operating Weight | 35 198 kg (77,598 lb.) |
|------------------|------------------------|

Component Weights

| | |
|--|------------------------|
| Undercarriage w/ Triple Semi-Grouser Shoes | |
| 800-mm (32 in.) | 12 710 kg (28,021 lb.) |
| One-Piece Boom (with arm cylinder) | |
| 6.4 m (21 ft. 0 in.) | 3246 kg (7,156 lb.) |
| 5.7 m (18 ft. 8 in.) ME | 3173 kg (6,995 lb.) |
| Arm with Bucket Cylinder and Linkage | |
| 3.20 m (10 ft. 6 in.) | 1811 kg (3,993 lb.) |
| 4.00 m (13 ft. 1 in.) | 1935 kg (4,266 lb.) |
| Boom Lift Cylinders (2), Total Weight | 290 kg (639 lb.) |

Operating Dimensions

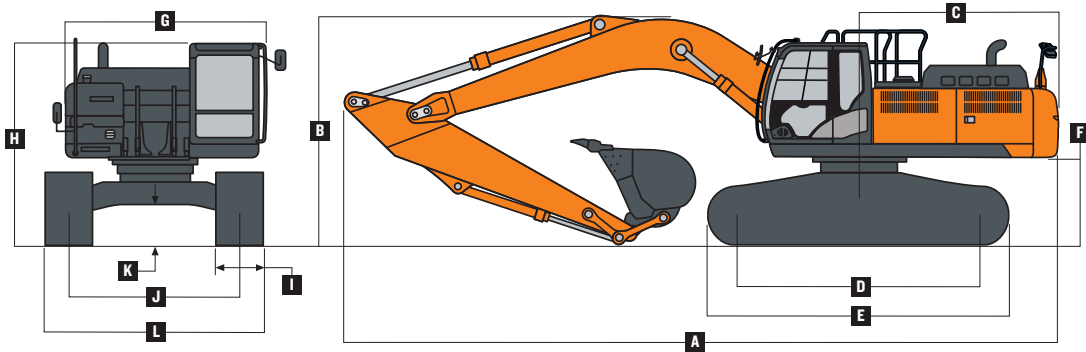
| | | |
|----------------------|---|------------------------|
| Arm Length | 3.2 m (10 ft. 6 in.) | 4.0 m (13 ft. 1 in.) |
| Boom Length | 6.4 m (21 ft. 0 in.) | 6.4 m (21 ft. 0 in.) |
| Arm Digging Force | | |
| SAE | 177 kN (39,791 lb.) | 153 kN (34,396 lb.) |
| ISO | 185 kN (41,590 lb.) | 159 kN (35,745 lb.) |
| Bucket Digging Force | | |
| SAE | 214 kN (48,109 lb.) | 214 kN (48,109 lb.) |
| ISO | 246 kN (55,303 lb.) | 246 kN (55,303 lb.) |
| A | Maximum Reach | 11.10 m (36 ft. 5 in.) |
| A' | Maximum Reach at Ground Level | 10.89 m (35 ft. 9 in.) |
| B | Maximum Digging Depth | 7.38 m (24 ft. 3 in.) |
| B' | Maximum Digging Depth at 2.44-m (8 ft.) Flat Bottom | 7.21 m (23 ft. 8 in.) |
| C | Maximum Cutting Height | 10.36 m (34 ft. 0 in.) |
| D | Maximum Dumping Height | 7.24 m (23 ft. 9 in.) |
| E | Minimum Swing Radius | 4.46 m (14 ft. 8 in.) |
| F | Maximum Vertical Wall | 6.42 m (21 ft. 1 in.) |



SPECIFICATIONS

ZX350LC-6

| Machine Dimensions | ZX350LC-6 |
|---|---|
| A Overall Length | |
| 3.2-m (10 ft. 6 in.) arm / 6.4-m (21 ft. 0 in.) boom | 11.20 m (36 ft. 9 in.) |
| 4.0-m (13 ft. 1 in.) arm / 6.4-m (21 ft. 0 in.) boom | 11.29 m (37 ft. 0 in.) |
| B Overall Height | |
| 3.2-m (10 ft. 6 in.) arm / 6.4-m (21 ft. 0 in.) boom | 3.27 m (10 ft. 9 in.) |
| 4.0-m (13 ft. 1 in.) arm / 6.4-m (21 ft. 0 in.) boom | 3.60 m (11 ft. 10 in.) |
| C Swing Radius | 3.60 m (11 ft. 10 in.) |
| D Distance Between Idler/Sprocket Centerline | 4.05 m (13 ft. 3 in.) |
| E Undercarriage Length | 4.94 m (16 ft. 2 in.) |
| F Counterweight Clearance | 1.18 m (3 ft. 10 in.) |
| G Upperstructure Width | 2.99 m (9 ft. 10 in.) |
| H Cab Height | 3.14 m (10 ft. 4 in.) |
| I Track Width with Triple Semi-Grouser Shoes | 600 mm (24 in.) / 700 mm (28 in.) / 800 mm (32 in.) |
| J Gauge Width | 2.59 m (8 ft. 6 in.) |
| K Ground Clearance | 0.51 m (20 in.) |
| L Overall Width with Triple Semi-Grouser Shoes | |
| 600 mm (24 in.) | 3.19 m (10 ft. 6 in.) |
| 700 mm (28 in.) | 3.29 m (10 ft. 10 in.) |
| 800 mm (32 in.) | 3.39 m (11 ft. 2 in.) |



Lift Charts

ZX350LC-6

Boldface type indicates hydraulically limited capacity; lightface type indicates stability-limited capacities, in kg (lb.). All lift capacities are based on ISO 10567 (with power boost). Machine equipped with 800-mm (32 in.) shoes; standard gauge; and situated on firm, uniform supporting surface. Total load includes weight of cables, hook, etc. Figures do not exceed 87 percent of hydraulic capacities or 75 percent of weight needed to tip machine.

| Load Point Height | 1.5 m (5 ft.) | | 3.0 m (10 ft.) | | 4.5 m (15 ft.) | | 6.0 m (20 ft.) | | 7.5 m (25 ft.) | | 9.0 m (30 ft.) | |
|--|-----------------|-----------------|-----------------|-----------------|-----------------|-----------------|-----------------|-----------------|-----------------|-----------------|-----------------|-----------------|
| Horizontal Distance from Centerline of Rotation | Over Front | Over Side | Over Front | Over Side | Over Front | Over Side | Over Front | Over Side | Over Front | Over Side | Over Front | Over Side |
| With 3.20-m (10 ft. 6 in.) arm, 6.4-m (21 ft. 0 in.) boom and 1273-kg (2,806 lb.) bucket | | | | | | | | | | | | |
| 6.0 m (20 ft.) | | | | | | | | | 7960 | 6440 | | |
| | | | | | | | | | (17,430) | (13,810) | | |
| 4.5 m (15 ft.) | | | | | | | 9960 | 9100 | 8610 | 6230 | | |
| | | | | | | | (21,550) | (19,600) | (18,740) | (13,370) | | |
| 3.0 m (10 ft.) | | | 16 250 | 13 410 | 16 250 | 13 410 | 16 250 | 13 410 | 16 250 | 13 410 | 6360 | 4430 |
| | | | (34,880) | (28,920) | (34,880) | (28,920) | (34,880) | (28,920) | (34,880) | (28,920) | (20,580) | (12,800) |
| 1.5 m (5 ft.) | | | 18 820 | 12 520 | 18 820 | 12 520 | 18 820 | 12 520 | 18 820 | 12 520 | 7190 | 4310 |
| | | | (40,590) | (26,970) | (40,590) | (26,970) | (40,590) | (26,970) | (40,590) | (26,970) | (15,430) | (9,230) |
| Ground Line | | | 19 600 | 12 150 | 19 600 | 12 150 | 19 600 | 12 150 | 19 600 | 12 150 | 5510 | 4180 |
| | | | (42,440) | (26,120) | (42,440) | (26,120) | (42,440) | (26,120) | (42,440) | (26,120) | (11,840) | (8,970) |
| -1.5 m (-5 ft.) | | | 12 220 | 12 220 | 12 220 | 12 220 | 12 220 | 12 220 | 12 220 | 12 220 | 5430 | 4100 |
| | | | (27,720) | (27,720) | (27,720) | (27,720) | (27,720) | (27,720) | (27,720) | (27,720) | (16,670) | (8,800) |
| -3.0 m (-10 ft.) | 14 530 | 14 530 | 19 970 | 19 970 | 17 430 | 12 210 | 13 030 | 7710 | 9290 | 5480 | | |
| | (32,600) | (32,600) | (45,330) | (45,330) | (37,730) | (26,230) | (28,110) | (16,590) | (20,000) | (11,820) | | |
| -4.5 m (-15 ft.) | | | 19 200 | 19 200 | 14 280 | 12 530 | 10 490 | 7950 | | | | |
| | | | (41,260) | (41,260) | (30,590) | (26,960) | (22,170) | (17,150) | | | | |
| With 4.0-m (13 ft. 1 in.) arm, 6.4-m (21 ft. 0 in.) boom and 1273-kg (2,806 lb.) bucket | | | | | | | | | | | | |
| 7.5 m (25 ft.) | | | | | | | | | (14,660) | (14,340) | | |
| 6.0 m (20 ft.) | | | | | | | | | 6,940 | 6580 | 5700 | 4600 |
| | | | | | | | | | (15,190) | (14,110) | (11,000) | (9,810) |
| 4.5 m (15 ft.) | | | | | | | | | 7700 | 6340 | 7140 | 4500 |
| | | | | | | | | | (16,760) | (13,600) | (15,550) | (9,620) |
| 3.0 m (10 ft.) | | | 14 170 | 13 920 | 14 170 | 13 920 | 10 530 | 8750 | 8700 | 6030 | 7230 | 4340 |
| | | | (30,440) | (30,010) | (30,440) | (30,010) | (22,750) | (18,840) | (18,870) | (12,950) | (15,510) | (9,290) |
| 1.5 m (5 ft.) | | | 17 420 | 12 800 | 17 420 | 12 800 | 12 280 | 8190 | 9560 | 5720 | 7040 | 4170 |
| | | | (37,540) | (27,580) | (37,540) | (27,580) | (26,550) | (17,630) | (20,550) | (12,290) | (15,120) | (8,930) |
| Ground Line | | | 6960 | 6960 | 19 120 | 12 170 | 13 410 | 7790 | 9290 | 5480 | 6900 | 4030 |
| | | | (15,920) | (15,920) | (41,350) | (26,180) | (28,800) | (16,750) | (19,970) | (11,770) | (14,810) | (8,650) |
| -1.5 m (-5 ft.) | 7010 | 7010 | 11 120 | 11 120 | 19 370 | 11 930 | 13 160 | 7570 | 9130 | 5330 | 6820 | 3960 |
| | (15,670) | (15,670) | (25,190) | (25,190) | (41,950) | (25,640) | (28,260) | (16,280) | (19,620) | (11,460) | (14,660) | (8,510) |
| -3.0 m (-10 ft.) | 11 610 | 11 610 | 16 550 | 16 550 | 18 430 | 11 950 | 13 110 | 7530 | 9100 | 5310 | | |
| | (26,040) | (26,040) | (37,530) | (37,530) | (39,880) | (25,670) | (28,150) | (16,190) | (19,580) | (11,420) | | |
| -4.5 m (-15 ft.) | 17 110 | 17 110 | 22 900 | 22 900 | 16 180 | 12 160 | 11 970 | 7660 | 8670 | 5450 | | |
| | (38,570) | (38,570) | (49,330) | (49,330) | (34,810) | (26,160) | (25,650) | (16,490) | (18,130) | (11,780) | | |
| -6.0 m (-20 ft.) | | | 16 290 | 16 290 | 11 790 | 11 790 | 7960 | 7960 | | | | |
| | | | (34,320) | (34,320) | (24,700) | (24,700) | | | | | | |

SPECIFICATIONS

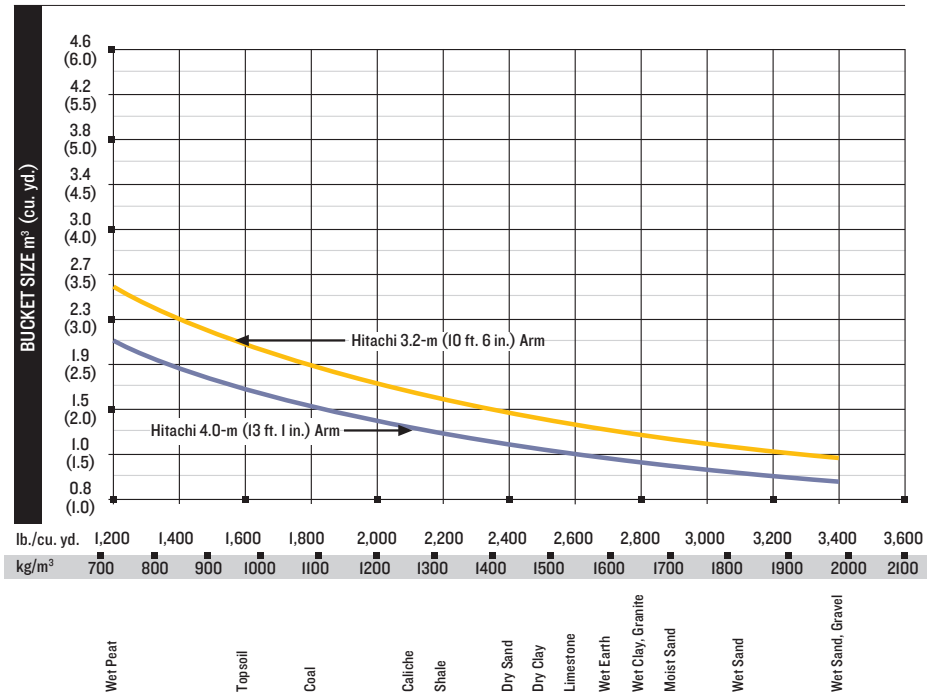
ZX350LC-6

Buckets ZX350LC-6

A full line of buckets is offered to meet a wide variety of applications. Digging forces are with power boost. Buckets are equipped with ESCO teeth standard. Replaceable cutting edges and a variety of teeth are available through dealer parts. Optional side cutters add 150 mm (6 in.) to bucket widths. Capacities are SAE heaped ratings.

| Type Bucket | Bucket Width | | Bucket Capacity | | Bucket Weight | | Bucket Dig Force | | Arm Dig Force 3.2 m (10 ft. 6 in.) | | Arm Dig Force 4.0 m (13 ft. 1 in.) | | Bucket Tip Radius | | Number of Teeth |
|--|--------------|-----|-----------------|---------|---------------|-------|------------------|--------|---------------------------------------|--------|---------------------------------------|--------|-------------------|-------|--------------------|
| | mm | in. | m ³ | cu. yd. | kg | lb. | kN | lb. | kN | lb. | kN | lb. | mm | in. | |
| General Purpose, High Capacity | 1524 | 60 | 2.13 | 2.78 | 1673 | 3,687 | 225.7 | 50,737 | 185.0 | 41,588 | 154.5 | 34,725 | 1811 | 71.31 | 7 |
| Heavy Duty Plate Lip | 914 | 36 | 0.99 | 1.30 | 1061 | 2,338 | 244.6 | 54,994 | 185.0 | 41,581 | 158.3 | 35,585 | 1671 | 65.79 | 4 |
| | 1067 | 42 | 1.22 | 1.59 | 1203 | 2,651 | 244.8 | 55,044 | 185.0 | 41,594 | 158.3 | 35,595 | 1670 | 65.73 | 5 |
| | 1219 | 48 | 1.44 | 1.88 | 1300 | 2,866 | 244.7 | 55,019 | 185.0 | 41,588 | 158.3 | 35,590 | 1670 | 65.76 | 6 |
| | 1372 | 54 | 1.67 | 2.18 | 1393 | 3,072 | 244.7 | 55,019 | 185.0 | 41,588 | 158.3 | 35,590 | 1673 | 65.86 | 6 |
| Heavy Duty Plate Lip, High Capacity | 1067 | 42 | 1.33 | 1.74 | 1370 | 3,020 | 225.5 | 50,687 | 179.7 | 40,401 | 154.4 | 34,715 | 1813 | 71.38 | 5 |
| | 1219 | 48 | 1.58 | 2.07 | 1507 | 3,323 | 225.5 | 50,687 | 179.7 | 40,401 | 154.4 | 34,715 | 1813 | 71.38 | 6 |
| | 1372 | 54 | 1.84 | 2.41 | 1618 | 3,568 | 225.3 | 50,652 | 179.7 | 40,391 | 154.4 | 34,707 | 1814 | 71.43 | 6 |

Bucket Selection Guide*



* Contact your Hitachi dealer for optimum bucket and attachment selections. These recommendations are for general conditions and average use. Does not include optional equipment such as thumbs or couplers. Larger buckets may be possible when using light materials, for flat and level operations, less compacted materials, and volume loading applications such as mass-excavation applications in ideal conditions. Smaller buckets are recommended for adverse conditions such as off-level applications, rocks, and uneven surfaces. Bucket capacity indicated is SAE heaped.



SPECIFICATIONS

ZX380LC-6

| | | | |
|---|--|---------------------|--------------------|
| Engine | ZX380LC-6 | | |
| Manufacturer and Model | Isuzu 6HK1 | | |
| Non-Road Emission Standard | EPA Final Tier 4 / EU Stage IV | | |
| Net Rated Power (ISO 9249) | 202 kW (271 hp) at 1,900 rpm | | |
| Cylinders | 6 | | |
| Displacement | 7.8 L (475 cu. in.) | | |
| Off-Level Capacity | 70% (35 deg.) | | |
| Aspiration | Turbocharged, air-to-air charge-air cooler | | |
| Cooling | High efficiency direct-driven, suction-type fan and cool-on-demand hydraulic-driven, suction-type fan with remote-mounted drive for hydraulic oil cooler | | |
| Powertrain | 2-speed propel with automatic shift | | |
| Maximum Travel Speed | | | |
| Low | 3.2 km/h (2.0 mph) | | |
| High | 5.0 km/h (3.1 mph) | | |
| Drawbar Pull | 30 350 kg (66,900 lb.) | | |
| Hydraulics | Open center, pilot controlled | | |
| Main Pumps | 2 variable-displacement pumps | | |
| Maximum Rated Flow | 288 L/m (76.1 gpm) x 2 | | |
| System Operating Pressure | | | |
| Circuits | | | |
| Implement | 34 300 kPa (4,975 psi) | | |
| Travel | 35 500 kPa (5,149 psi) | | |
| Swing | 33 300 kPa (4,830 psi) | | |
| Power Boost | 38 000 kPa (5,511 psi) | | |
| Controls | Pilot levers, short-stroke, low-effort hydraulic pilot controls with shutoff lever | | |
| Cylinders | | | |
| | Bore | Rod Diameter | Stroke |
| Boom (2) | 145 mm (5.7 in.) | 100 mm (3.9 in.) | 1520 mm (59.8 in.) |
| Arm (1) | 170 mm (6.7 in.) | 115 mm (4.5 in.) | 1740 mm (68.5 in.) |
| Bucket (1) | 140 mm (5.5 in.) | 95 mm (3.7 in.) | 1250 mm (49.2 in.) |
| Electrical | | | |
| Number of Batteries (12 volt) | 2 | | |
| Battery Capacity | 1,000 CCA | | |
| Alternator Rating | 50 amp | | |
| Work Lights | 2 halogen (one mounted on boom, one on frame) | | |
| Undercarriage | | | |
| Rollers (each side) | | | |
| Carrier | 2 | | |
| Track | 8 | | |
| Shoes, Triple Semi-Grousers (each side) | 48 | | |
| Track | | | |
| Adjustment | Hydraulic | | |
| Guides | 3 per side | | |
| Chain | Sealed and lubricated | | |
| Ground Pressure | | | |
| 800-mm (32 in.) Triple Semi-Grouser Shoes | 52.5 kPa (7.61 psi) | | |
| Swing Mechanism | | | |
| Speed | 10.7 rpm | | |
| Torque | 120 000 Nm (88,500 lb.-ft.) | | |

Serviceability ZX380LC-6

| Refill Capacities | |
|---------------------------------|-------------------|
| Fuel Tank | 630 L (166 gal.) |
| Diesel Exhaust Fluid (DEF) Tank | 70 L (18 gal.) |
| Cooling System | 45 L (12 gal.) |
| Engine Oil with Filter | 48 L (13 gal.) |
| Hydraulic Tank | 180 L (48 gal.) |
| Hydraulic System | 340 L (90 gal.) |
| Swing Drive | 15.7 L (16.6 qt.) |
| Gearbox | |
| Propel (each) | 9.2 L (9.7 qt.) |
| Pump Drive | 1.1 L (1.2 qt.) |

Operating Weights

With full fuel tank; 79-kg (175 lb.) operator; 1.4-m³ (1.8 cu. yd.), 1370-mm (54 in.), 1160-kg (2,557 lb.) bucket; 4.0-m (13 ft. 1 in.) arm; 7900-kg (16,755 lb.) counterweight; and 800-mm (32 in.) heavy-duty (HD) triple semi-grouser shoes

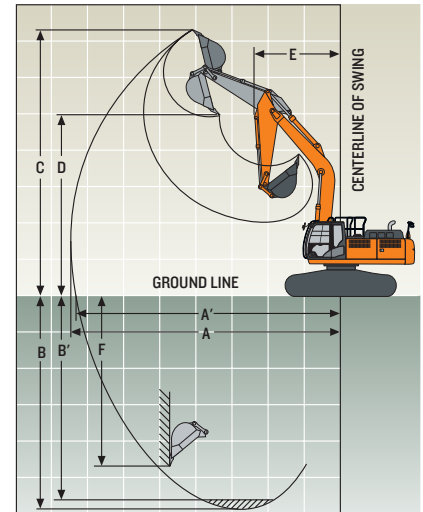
Operating Weight 37 428 kg (82,515 lb.)

Component Weights

| Undercarriage w/ HD Triple Semi-Grouser Shoes | |
|---|------------------------|
| 800-mm (32 in.) | 13 550 kg (29,872 lb.) |
| One-Piece Boom (with arm cylinder) HD | 3541 kg (7,806 lb.) |
| Arm with Bucket Cylinder and Linkage | |
| 3.2 m (10 ft. 6 in.) HD | 1957 kg (4,315 lb.) |
| 4.0 m (13 ft. 1 in.) | 1898 kg (4,184 lb.) |
| Boom-Lift Cylinders (2) Total Weight | 624 kg (1,376 lb.) |

Operating Dimensions

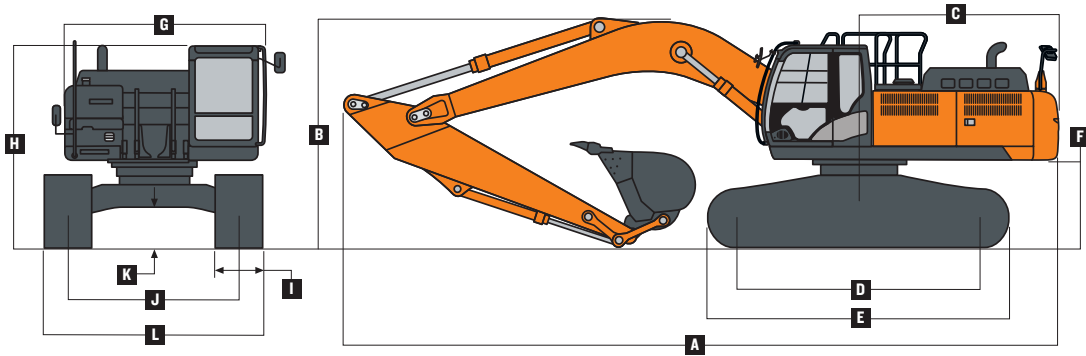
| | | |
|-----------------------------|--|-------------------------------|
| Arm Length | 3.2 m (10 ft. 6 in.) HD | 4.0 m (13 ft. 1 in.) |
| Boom Length | 6.4 m (21 ft. 0 in.) | 6.4 m (21 ft. 0 in.) |
| Arm Digging Force | | |
| SAE | 177 kN (39,791 lb.) | 153 kN (34,396 lb.) |
| ISO | 185 kN (41,590 lb.) | 159 kN (35,745 lb.) |
| Bucket Digging Force | | |
| SAE | 214 kN (48,109 lb.) | 214 kN (48,109 lb.) |
| ISO | 246 kN (55,303 lb.) | 246 kN (55,303 lb.) |
| A | Maximum Reach | 11.10 m (36 ft. 5 in.) |
| A' | Maximum Reach at Ground Level | 10.89 m (35 ft. 9 in.) |
| B | Maximum Digging Depth | 7.38 m (24 ft. 3 in.) |
| B' | Maximum Digging Depth at 2.44-m (8 ft.) Flat Bottom | 8.04 m (26 ft. 5 in.) |
| C | Maximum Cutting Height | 10.36 m (34 ft. 0 in.) |
| D | Maximum Dumping Height | 7.24 m (23 ft. 9 in.) |
| E | Minimum Swing Radius | 4.46 m (14 ft. 8 in.) |
| F | Maximum Vertical Wall | 6.42 m (21 ft. 1 in.) |



SPECIFICATIONS

ZX380LC-6

| Machine Dimensions | | ZX380LC-6 |
|---|--|-----------------------------------|
| A Overall Length | 3.2-m (10 ft. 6 in.) HD arm / 6.4-m (21 ft. 0 in.) HD boom | 11.20 m (36 ft. 9 in.) |
| | 4.0-m (13 ft. 1 in.) arm / 6.4-m (21 ft. 0 in.) HD boom | 11.29 m (37 ft. 0 in.) |
| B Overall Height | 3.2-m (10 ft. 6 in.) HD arm / 6.4-m (21 ft. 0 in.) HD boom | 3.27 m (10 ft. 9 in.) |
| | 4.0-m (13 ft. 1 in.) arm / 6.4-m (21 ft. 0 in.) HD boom | 3.60 m (11 ft. 10 in.) |
| C Swing Radius | | 3.60 m (11 ft. 10 in.) |
| D Distance Between Idler/Sprocket Centerline | | 4.05 m (13 ft. 3 in.) |
| E Undercarriage Length | | 4.94 m (16 ft. 2 in.) |
| F Counterweight Clearance | | 1.18 m (3 ft. 10 in.) |
| G Upperstructure Width | | 2.99 m (9 ft. 10 in.) |
| H Cab Height | | 3.14 m (10 ft. 4 in.) |
| I Track Width with Triple Semi-Grouser Shoes | | 700 mm (28 in.) / 800 mm (32 in.) |
| J Gauge Width | | 2.59 m (8 ft. 6 in.) |
| | | |
| K Ground Clearance | | 0.51 m (20 in.) |
| L Overall Width with Triple Semi-Grouser Shoes | 700 mm (28 in.) | 3.29 m (10 ft. 10 in.) |
| | 800 mm (32 in.) | 3.39 m (11 ft. 2 in.) |



Lift Charts

ZX380LC-6

Boldface type indicates hydraulically limited capacity; lightface type indicates stability-limited capacities, in kg (lb.). All lift capacities are based on ISO 10567 (with power boost). Machine equipped with 1273-kg (2,806 lb.) bucket and 800-mm (32 in.) HD shoes; standard gauge; and situated on firm, uniform supporting surface. Total load includes weight of cables, hook, etc. Figures do not exceed 87 percent of hydraulic capacities or 75 percent of weight needed to tip machine.

| Load Point Height | 1.5 m (5 ft.) | | 3.0 m (10 ft.) | | 4.5 m (15 ft.) | | 6.0 m (20 ft.) | | 7.5 m (25 ft.) | | 9.0 m (30 ft.) | |
|--|-----------------|-----------------|-----------------|-----------------|-----------------|-----------------|-----------------|-------------|-----------------|-----------------|-----------------|-----------|
| Horizontal Distance from Centerline of Rotation | Over Front | Over Side | Over Front | Over Side | Over Front | Over Side | Over Front | Over Side | Over Front | Over Side | Over Front | Over Side |
| With 3.20-m (10 ft. 6 in.) HD arm and 6.4-m (21 ft. 0 in.) HD boom | | | | | | | | | | | | |
| 6.0 m (20 ft.) | | | | | | | | | 7780 | 6940 | | |
| | | | | | | | | | (17,040) | (14,890) | | |
| 4.5 m (15 ft.) | | | | | | | 9760 | 9760 | 8410 | 6710 | 6310 | 4780 |
| | | | | | | | (21,110) | (21,090) | (18,310) | (14,410) | | |
| 3.0 m (10 ft.) | | | | | 15 930 | 14 370 | 11 430 | 9190 | 9260 | 6410 | 7730 | 4650 |
| | | | | | (34,200) | (31,010) | (24,690) | (19,810) | (20,100) | (13,780) | (16,580) | (9,970) |
| 1.5 m (5 ft.) | | | | | 18 430 | 13 400 | 12 870 | 8670 | 10 060 | 6120 | 7570 | 4510 |
| | | | | | (39,750) | (28,870) | (27,820) | (18,680) | (21,790) | (13,170) | (16,270) | (9,680) |
| Ground Line | | | | | 19 190 | 12 990 | 13 670 | 8350 | 9980 | 5920 | 7470 | 4420 |
| | | | | | (41,540) | (27,940) | (29,590) | (17,960) | (21,460) | (12,730) | (16,070) | (9,490) |
| -1.5 m (-5 ft.) | | | 12 170 | 12 170 | 18 650 | 12 920 | 13 670 | 8220 | 9890 | 5830 | | |
| | | | (27,630) | (27,630) | (40,440) | (27,770) | (29,590) | (17,680) | (21,260) | (12,550) | | |
| -3.0 m (-10 ft.) | 14 490 | 14 490 | 19 930 | 19 930 | 17 030 | 13 070 | 12 710 | 8270 | 9510 | 5900 | | |
| | (32,500) | (32,500) | (45,250) | (45,250) | (36,840) | (28,080) | (27,420) | (17,790) | (20,290) | (12,720) | | |
| -4.5 m (-15 ft.) | | | 18 680 | 18 680 | 13 900 | 13 420 | 10 190 | 8530 | | | | |
| | | | (40,140) | (40,140) | (29,780) | (28,890) | (21,530) | (18,420) | | | | |
| With 4.0-m (13 ft. 1 in.) arm and 6.4-m (21 ft. 0 in.) HD boom | | | | | | | | | | | | |
| 7.5 m (25 ft.) | | | | | | | | | | (14,580) | (14,580) | |
| 6.0 m (20 ft.) | | | | | | | | | 6900 | 6900 | 5700 | 5080 |
| | | | | | | | | | (15,110) | (15,110) | (11,000) | (10,830) |
| 4.5 m (15 ft.) | | | | | | | | | 7650 | 6940 | 7090 | 4970 |
| | | | | | | | | | (16,660) | (14,910) | (15,510) | (10,640) |
| 3.0 m (10 ft.) | | | | | 14 100 | 14 100 | 10 470 | 9540 | 8640 | 6620 | 7580 | 4800 |
| | | | | | (30,280) | (30,280) | (22,620) | (20,560) | (18,740) | (14,230) | (16,520) | (10,290) |
| 1.5 m (5 ft.) | | | | | 17 290 | 13 940 | 12 190 | 8960 | 9610 | 6300 | 7690 | 4620 |
| | | | | | (37,280) | (30,030) | (26,360) | (19,290) | (20,840) | (13,540) | (16,520) | (9,920) |
| Ground Line | | | 6960 | 6960 | 18 970 | 13 280 | 13 390 | 8540 | 10 110 | 6040 | 7530 | 4480 |
| | | | (15,920) | (15,920) | (41,020) | (28,550) | (28,960) | (18,370) | (21,730) | (12,980) | (16,190) | (9,620) |
| -1.5 m (-5 ft.) | 7010 | 7010 | 11 120 | 11 120 | 19 210 | 13 020 | 13 830 | 8310 | 9940 | 5890 | 7450 | 4410 |
| | (15,670) | (15,670) | (25,190) | (25,190) | (41,600) | (27,990) | (29,930) | (17,870) | (21,370) | (12,660) | (16,030) | (9,470) |
| -3.0 m (-10 ft.) | 11 610 | 11 610 | 16 550 | 16 550 | 18 260 | 13 030 | 13 410 | 8260 | 9910 | 5860 | | |
| | (26,040) | (26,040) | (37,530) | (37,530) | (39,520) | (28,010) | (28,980) | (17,770) | (21,310) | (12,610) | | |
| -4.5 m (-15 ft.) | 17 110 | 17 110 | 22 660 | 22 660 | 16 010 | 13 250 | 11 850 | 8390 | 8570 | 6000 | | |
| | (38,570) | (38,570) | (48,820) | (48,820) | (34,460) | (28,510) | (25,390) | (18,080) | (17,930) | (12,980) | | |
| -6.0 m (-20 ft.) | | | 16 080 | 16 080 | 11 640 | 11 640 | 7850 | 7850 | | | | |
| | | | (33,860) | (33,860) | (24,390) | (24,390) | | | | | | |

SPECIFICATIONS

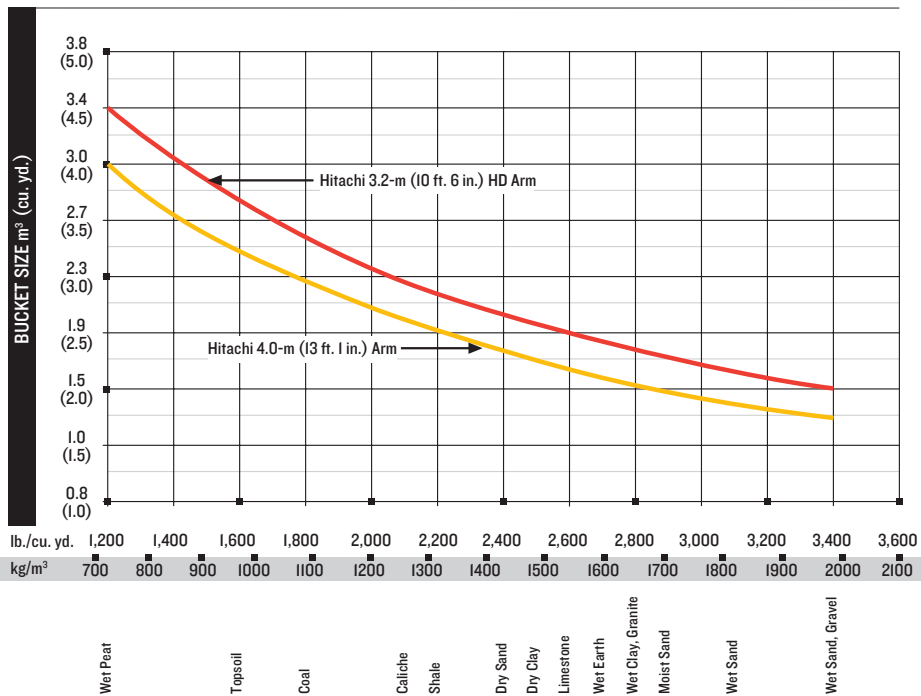
ZX380LC-6

Buckets ZX380LC-6

A full line of buckets is offered to meet a wide variety of applications. Digging forces are with power boost. Buckets are equipped with ESCO teeth standard. Replaceable cutting edges and a variety of teeth are available through dealer parts. Optional side cutters add 150 mm (6 in.) to bucket widths. Capacities are SAE heaped ratings.

| Type Bucket | Bucket Width | | Bucket Capacity | | Bucket Weight | | Bucket Dig Force | | Arm Dig Force 3.2 m (10 ft. 6 in.) | | Arm Dig Force 4.0 m (13 ft. 1 in.) | | Bucket Tip Radius | | Number of Teeth |
|--|--------------|-----|-----------------|---------|---------------|-------|------------------|--------|---------------------------------------|--------|---------------------------------------|--------|-------------------|-------|--------------------|
| | mm | in. | m ³ | cu. yd. | kg | lb. | kN | lb. | kN | lb. | kN | lb. | mm | in. | |
| General Purpose, High Capacity | 1524 | 60 | 2.13 | 2.78 | 1673 | 3,687 | 225.7 | 50,737 | 185.0 | 41,588 | 154.5 | 34,725 | 1811 | 71.31 | 7 |
| Heavy Duty Plate Lip | 914 | 36 | 0.99 | 1.30 | 1061 | 2,338 | 244.6 | 54,994 | 185.0 | 41,581 | 158.3 | 35,585 | 1671 | 65.79 | 4 |
| | 1067 | 42 | 1.22 | 1.59 | 1203 | 2,651 | 244.8 | 55,044 | 185.0 | 41,594 | 158.3 | 35,595 | 1670 | 65.73 | 5 |
| | 1219 | 48 | 1.44 | 1.88 | 1300 | 2,866 | 244.7 | 55,019 | 185.0 | 41,588 | 158.3 | 35,590 | 1670 | 65.76 | 6 |
| | 1372 | 54 | 1.67 | 2.18 | 1393 | 3,072 | 244.7 | 55,019 | 185.0 | 41,588 | 158.3 | 35,590 | 1673 | 65.86 | 6 |
| Heavy Duty Plate Lip, High Capacity | 1067 | 42 | 1.33 | 1.74 | 1370 | 3,020 | 225.5 | 50,687 | 179.7 | 40,401 | 154.4 | 34,715 | 1813 | 71.38 | 5 |
| | 1219 | 48 | 1.58 | 2.07 | 1507 | 3,323 | 225.5 | 50,687 | 179.7 | 40,401 | 154.4 | 34,715 | 1813 | 71.38 | 6 |
| | 1372 | 54 | 1.84 | 2.41 | 1618 | 3,568 | 225.3 | 50,652 | 179.7 | 40,391 | 154.4 | 34,707 | 1814 | 71.43 | 6 |

Bucket Selection Guide*



*Contact your Hitachi dealer for optimum bucket and attachment selections. These recommendations are for general conditions and average use. Does not include optional equipment such as thumbs or couplers. Larger buckets may be possible when using light materials, for flat and level operations, less compacted materials, and volume loading applications such as mass-excavation applications in ideal conditions. Smaller buckets are recommended for adverse conditions such as off-level applications, rocks, and uneven surfaces. Bucket capacity indicated is SAE heaped.

ZX350LC-6 ZX380LC-6

Key: ● Standard ▲ Optional or special kit

350 380 Engine

- ● Auto-idle system
- ● Batteries (2 – 12 volt)
- ● Coolant recovery tank
- ● Dual-element dry-type air filter
- ● Electronic engine control
- ● Enclosed fan guard (conforms to SAE J1308)
- ● Engine coolant to -37 deg. C (-34 deg. F)
- ● Programmable auto shutdown
- ● Fuel filter with water separator
- ● Full-flow oil filter
- ● Turbocharger with charge air cooler
- ● High-efficiency, low-noise fan
- ● 500-hour engine-oil-change interval
- ● 70% (35 deg.) off-level capability
- ● Severe-duty fuel filter
- ● Engine-oil-sampling valve
- ▲ ▲ Chrome exhaust stack
- ▲ ▲ Engine coolant heater
- ▲ ▲ Engine air pre-cleaner

Hydraulic System

- ● Reduced-drift valve for boom down, arm in
- ● Auxiliary hydraulic valve section
- ● Spring-applied, hydraulically released automatic swing brake
- ● Auxiliary hydraulic-flow adjustments through monitor
- ● Auto power lift
- ● 5,000-hour hydraulic-oil-change interval
- ● Hydraulic-oil-sampling valve
- ● HIOS III hydraulic management system
- ● Control pattern change valve
- ▲ ▲ High-flow auxiliary hydraulic lines with dual stop valves
- ▲ ▲ Dual pump flow combiner
- ▲ ▲ Auxiliary hydraulics with combination piping
- ▲ ▲ Auxiliary pilot and electric controls
- ▲ ▲ Hydraulic filter restriction indicator kit
- ▲ ▲ Load-lowering control / Anti-drift device
- ▲ ▲ Single-pedal propel control

Undercarriage

- ● Planetary drive with axial piston motors
- ● Propel motor shields
- ● Spring-applied, hydraulically released automatic propel brake
- ● Track guides, front idler and 3 additional
- ● 2-speed propel with automatic shift
- ● Upper carrier rollers (2)
- ● Sealed and lubricated track chain
- ● Heavy-duty undercover
- ● Triple semi-grouser shoes, 600 mm (24 in.)
- ● Triple semi-grouser shoes, 700 mm (28 in.)
- ● Single-bar shoes, 700 mm (28 in.) Heavy Duty (HD)
- ● Triple semi-grouser shoes, 800 mm (32 in.)
- ● Triple semi-grouser shoes, 800 mm (32 in.) HD
- ▲ ▲ Undercarriage frame opening guard
- ▲ ▲ Heavy-duty track frame undercover

350 380 Upperstructure

- ● Right-hand, left-hand, and counterweight mirrors
- ● Vandal locks with ignition key: Cab door / Service doors / Toolbox
- ● Debris screen
- ● Remote-mounted engine oil and fuel filters
- ▲ ▲ "D" channel guard

Front Attachments

- ● Centralized lubrication system
- ● Dirt seals on all bucket pins
- ● Less boom and arm
- ● Oil-impregnated bushings
- ● Reinforced resin thrust plates
- ● Tungsten carbide thermal coating on arm-to-bucket joint
- ▲ ▲ Arm, 3.2 m (10 ft. 6 in.)
- ▲ ▲ Arm, 3.2 m (10 ft. 6 in.) HD
- ▲ ▲ Arm, 4.0 m (13 ft. 1 in.)
- ▲ ▲ Attachment quick-couplers
- ▲ ▲ Boom cylinder with plumbing to mainframe less boom and arm
- ▲ ▲ Buckets: Heavy duty / Heavy-duty high capacity / Side cutters and teeth
- ▲ ▲ "D" channel guard
- ▲ ▲ Material clamps
- ▲ ▲ Super-long fronts

Operator's Station

- ● Adjustable independent-control positions (levers-to-seat, seat-to-pedals)
- ● AM/FM radio
- ● Auto climate control/air conditioner /heater/pressurizer
- ● Built-in Operator's Manual storage compartment and manual
- ● Cell-phone power outlet, 12 volt, 60 watt, 5 amp
- ● Coat hook
- ● Deluxe suspension cloth seat with 100-mm (4 in.) adjustable armrests
- ● Floor mat
- ● Front windshield wiper with intermittent speeds
- ● Gauges (illuminated): Diesel Exhaust Fluid (DEF) / Engine coolant / Fuel
- ● Horn, electric
- ● Hour meter, electric
- ● Hydraulic shutoff lever, all controls
- ● Hydraulic warm-up control
- ● Interior light
- ● Large cup holder
- ● Machine Information Center (MIC)
- ● Mode selectors (illuminated): Power modes (3) / Travel modes (2 with automatic shift) / Work mode (1)

350 380 Operator's Station (continued)

- ● Multifunction, color LCD monitor with: Diagnostic capability / Multiple-language capabilities / Maintenance tracking / Clock / System monitoring with alarm features: Auto-idle indicator, engine air cleaner restriction indicator light, engine check, engine coolant temperature indicator light with audible alarm, engine oil pressure indicator light with audible alarm, low-alternator-charge indicator light, low-fuel indicator light, low DEF indication with audible alarm, fault code alert indicator, fuel-rate display, wipermode indicator, work-lights-on indicator, and work-mode indicator
- ● Motion alarm with cancel switch (conforms to SAE J994)
- ● Power-boost switch on right console lever
- ● Auxiliary hydraulic control switches in right console lever
- ● SAE 2-lever control pattern
- ● Seat belt, 76 mm (3 in.), retractable
- ● Tinted glass
- ● Transparent tinted overhead hatch
- ● Hot/cold beverage compartment
- ● USB charging port
- ▲ ▲ Adjustable flow and pressure in monitor
- ▲ ▲ Air-suspension heated seat
- ▲ ▲ Premium heated/cooled leather seat
- ▲ ▲ Hydraulic oil filter restriction indicator light
- ▲ ▲ Protection screens for cab front, rear, and side
- ▲ ▲ Window vandal-protection covers
- ▲ ▲ In-monitor adjustable flow and pressure auxiliary hydraulics with AFL

Grade Management

- ▲ ▲ Solution Linkage 2D Grade Guidance
- ▲ ▲ Solution Linkage 3D Grade Guidance
- ▲ ▲ Solution Linkage 2D Grade Control
- ▲ ▲ Solution Linkage 3D Grade Control

Electrical

- ● 50-amp alternator
- ● Battery disconnect switch
- ● Blade-type multi-fused circuits
- ● Positive-terminal battery covers
- ● ZXLink™ wireless communication system (available in specific countries; see your dealer for details)
- ● Rearview camera
- ▲ ▲ Cab extension wiring harness

Lights

- ● Work lights: Halogen / One mounted on boom / One mounted on frame
- ▲ ▲ 2 lights mounted on cab / One mounted on right side of boom
- ▲ ▲ LED light kit

See your Hitachi dealer for further information.

Net engine power is with standard equipment including air cleaner, exhaust system, alternator, and cooling fan, at test conditions specified per ISO 9249. No derating is required up to 3050-m (10,000 ft.) altitude. Specifications and design subject to change without notice. Wherever applicable, specifications are in accordance with SAE standards. Except where otherwise noted, these specifications are based on units with 1370-mm (54 in.) buckets, full fuel tanks, and 79-kg (175 lb.) operators; a ZX350LC-6 unit with 6900-kg (15,212 lb.) counterweight and 800-mm (32 in.) triple semi-grouser shoes; and a ZX380LC-6 unit with 7900-kg (16,755 lb.) counterweight and 800-mm (32 in.) heavy-duty triple semi-grouser shoes.

The image features a solid orange background with a faint, semi-transparent photograph of a construction site. The site includes a pile of rocks and debris on the left, and a large piece of heavy machinery, likely an excavator, on the right. The Hitachi logo is centered in the middle of the page in a bold, white, sans-serif font.

HITACHI