

SPECIFICATIONS

HX380AL

Powered By Cummins Performance Series Engine

Net Power
359 HP (268kW)
at 2,100 rpm

Standard Bucket
1.62m³(2.12 yd³)

Operating Weight
38,940 (88,053) -
41,300 (91,051)



ENGINE

Maker / Model	Cummins / L9
Type	Tier 4F/ Stage V Emission Certified, 6 cylinder diesel engine with No Manual Regeneration.
Gross Power (SAE J1995)	365 HP (272kW) at 2,100 rpm
Net Power (SAE J1349)	359 HP (268kW) at 2,100 rpm
Max. Power	380 HP (283kW) at 1,800 rpm
Max. Torque	1,324 lb-ft (1,795 N·m) at 1,400 rpm
Piston Displacement	8,900 cc (543 cu in)

HYDRAULIC SYSTEM

MAIN PUMP

Type	Variable displacement tandem axis piston pumps
Max. Flow	2x340 lpm (89.8 U.S. gpm)
Sub-Pump For Pilot Circuit	Gear pump

Cross-sensing and fuel saving pump system.

AUXILIARY PRESSURE

2 Way	Flow (l/min)	26.4 gpm / (100 lpm)
	Pressure (bar)	2,611 psi / (180 bar)
Rotating	Flow (l/min)	15.9 gpm / (60 lpm)
	Pressure (bar)	4,062 psi / (280 bar)

HYDRAULIC MOTORS

Travel	Variable displacement axial piston motor
Swing	Axial piston motor

RELIEF VALVE SETTING

Implement Circuits	330kgf/cm ² (4,693psi)
Travel	360kgf/cm ² (5,120psi)
Power Boost (Boom, Arm, Bucket)	360kgf/cm ² (5,120psi)
Swing Circuit	290kgf/cm ² (4,125psi)
Pilot Circuit	40 kgf/cm ² (570 psi)
Service Valve	Installed

HYDRAULIC CYLINDERS

No. of Cylinder Bore X Stroke	Boom : Ø160x1500 mm
	Arm : Ø170x1760 mm
	Bucket : Ø150x1295 mm

DRIVES & BRAKES

Drive Method	Fully hydrostatic type
Drive Motor	Axial piston motor, in-shoe design
Reduction System	Planetary reduction gear
Max. Drawbar Pull	32,517kgf(71,688lbf)
Max. Travel Speed (High / Low)	5.7km/hr(3.5mph) / 3.5km/hr(2.2mph)
Gradeability	35° (70%)
Parking Brake	Multi wet disc

CONTROL

Pilot pressure operated joysticks and pedals with detachable lever provide almost effortless and fatigueless operation.

Pilot Control	Two joysticks with one safety lever (LH) : Swing and arm, Boom and bucket
Traveling and Steering	Two levers with pedals
Engine Throttle	Electric, dial type

OPERATING WEIGHT (APPROXIMATE)

Operating weight, including 6,500mm(21' 4") boom, 3,200mm(10' 6") arm, SAE heaped 1.62m³(2.12 yd³) bucket, lubricant, coolant, full fuel tank, full hydraulic tank, and all standard equipments.

OPERATING WEIGHT

Shoes		Operating Weight		Ground Pressure
Type	Width mm(in)	kg (lb)		kgf/cm ² (psi)
Triple Grouser	600 (24")	HX380AL	39,940 (88,053)	0.70 (9.97)
	700 (28")	HX380AL	40,390 (89,045)	0.61 (8.64)
	800 (32")	HX380AL	40,840 (90,037)	0.54 (7.65)
	900 (36")	HX380AL	41,300 (91,051)	0.48 (6.88)
Double Grouser	600 (24")	HX380AL	40,360 (88,978)	0.71 (10.07)

SWING SYSTEM

Swing Motor	Fixed displacement axial piston motor
Swing Reduction	Planetary gear reduction
Swing Bearing Lubrication	Grease-bathed
Swing Brake	Multi wet disc
Swing Speed	10.4 rpm

COOLANT & LUBRICANT CAPACITY

	liter	US gal
Fuel Tank	600	154.7
Engine Coolant	42	11.1
Engine Oil	30	7.9
Swing Device	11	2.9
Final Drive (Each)	7.8	2.06
Hydraulic System (Including Tank)	414	106.7
Hydraulic Tank	210	54.1
Def/Adblue®	70	18.5

UNDERCARRIAGE

The X-leg type center frame is integrally welded with reinforced box-section track frames. The undercarriage includes lubricated rollers, idlers, track adjusters with shock absorbing springs and sprockets, and a track chain with double or triple grouser shoes.

Center Frame	X - Leg Type
Track Frame	Pentagonal Box Type
No. of Shoes on Each Side	48 EA
No. of Carrier Roller on Each Side	2 EA
No. of Track Roller on Each Side	9 EA
No. of Rail Guard on Each Side	2 EA

CAB NOISE LEVEL

Guaranteed noise level presented below can be differed depending on a range of factors such as operating condition, speed of a cooling fan, types of engine and so forth. Hearing protection shall be necessary if an operator is working in the improperly aintained cabin or exposed to a noisy environment by leaving doors and/or windows open. With cooling fan speed at maximum value:

Operator sound pressure level (ISO 6396:2008)	70 dB(A)
Exterior sound power level (ISO 6395:2008)	98 dB(A)

* Distance of 15 m (49.2 ft), moving forward in second gear ratio

SPECIFICATIONS HX380AL

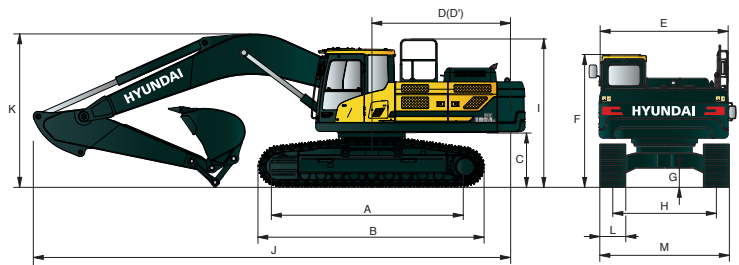
Powered By Cummins Performance Series Engine

HX380AL DIMENSIONS

Unit: mm (ft-in)

6.15 m (20' 2") / 6.5 m (21' 4"), BOOM and 2.5 m (8' 2"), 3.2 m (10' 6"),
3.9 m (12' 10") ARM

A	Tumbler distance	4,340 (14' 3")
B	Overall length of crawler	5,270 (17' 3")
C	Ground clearance of counterweight	1,295 (4' 3")
D	Tail-swing radius	3,620 (11' 11")
D'	Rear-end length	3,555 (11' 8")
E	Overall width of upper structure	2,980 (9' 9")
F	Overall height of cab	3,240 (10' 8")
G	Min. ground clearance	550 (1' 10")
H	Track gauge	2,740 (9' 0")
I	Overall Height of Guardrail w/ Grouser	3,470 (11' 5")

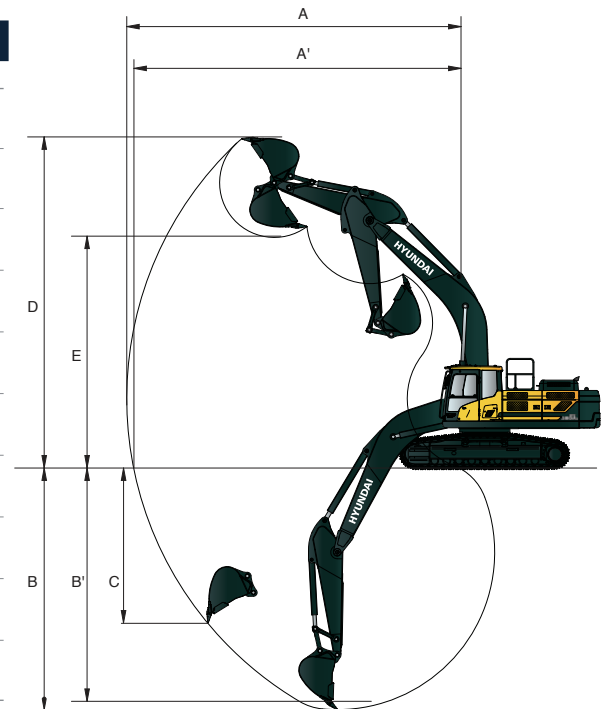


Boom length	6,150 (20' 2")	6,500 (21' 4")			
Arm length	2,500 (8' 2")	2,500 (8' 2")	3,200 (10' 6")	3,900 (12' 10")	
J Overall length	11,100 (36' 5")	11,450 (37' 7")	11,400 (37' 5")	11,400 (37' 5")	
K Overall height of boom	3,830 (12' 7")	3,740 (12' 3")	3,630 (11' 11")	3,740 (12' 3")	
L Track shoe width	600 (2' 0")	600 (1' 12")	700 (2' 4")	800 (2' 7")	900 (2' 11")
M Overall Width w/o Additional Foot Board	3,340 (10' 11")	3,340 (10' 11")	3,440 (11' 3")	3,540 (11' 7")	3,640 (11' 11")
	2,990 (9' 10")	2,990 (9' 10")	-	-	-

HX380AL WORKING RANGE

Unit : mm (ft-in)

Boom length	6,150 (20' 2")	6,500 (21' 4")		
Arm length	2,500 (8' 2")	2,500 (8' 2")	3,200 (10' 6")	3,900 (12' 10")
A Max. digging reach	10,300 (33' 10")	10,650 (34' 11")	11,160 (36' 7")	11,820 (38' 9")
A' Max. digging reach on ground	10,060 (33' 0")	10,410 (34' 2")	10,930 (35' 10")	11,620 (38' 1")
B Max. digging depth	6,560 (21' 6")	6,820 (22' 5")	7,520 (24' 8")	8,220 (27' 0")
B' Max. digging depth (8' level)	6,380 (20' 11")	6,640 (21' 9")	7,360 (24' 2")	8,080 (26' 6")
C Max. vertical wall digging depth	4,780 (15' 8")	5,030 (16' 6")	5,480 (28' 0")	6,300 (20' 8")
D Max. digging height	10,000 (32' 10")	10,330 (33' 11")	10,270 (33' 8")	10,610 (34' 10")
E Max. dumping height	6,870 (22' 6")	7,190 (23' 7")	7,190 (23' 7")	7,500 (24' 7")
F Min. swing radius	4,310 (14' 2")	4,490 (14' 9")	4,490 (14' 9")	4,350 (14' 3")



HX380AL DIGGING FORCE

Boom	Length	mm (ft-in)	6,150 (20' 2")		6,500 (21' 4")	
	Weight	kg (lb)	3,750 (8,270)		3,850 (8,490)	
Arm	Length	mm (ft-in)	2,500 (8' 2")	3,200 (10' 6")		3,900 (12' 10")
	Weight	kg (lb)	1,960 (4,320)	1,960 (4,320)	2,120 (4,670)	2,190 (4,830)
Bucket Digging Force	SAE	kN	228.5 (249.3)	201.0 (219.3)	201.0 (219.3)	201.0 (219.3)
		kgf	23,300 (25,420)	20,500 (22,360)	20,500 (22,360)	20,500 (22,360)
		lbf	51,370 (56,040)	45,190 (49,300)	45,190 (49,300)	45,190 (49,300)
	ISO	kN	259.9 (283.5)	228.5 (249.3)	228.5 (249.3)	228.5 (249.3)
		kgf	26,500 (28,910)	23,300 (25,420)	23,300 (25,420)	23,300 (25,420)
		lbf	28,420 (63,740)	51,370 (56,040)	51,370 (56,040)	51,370 (56,040)
Arm Crowd Force	SAE	kN	192.2 (209.7)	192.2 (209.7)	160.8 (175.4)	137.3 (149.7)
		kgf	19,600 (21,380)	19,600 (21,380)	16,400 (17,890)	14,000 (15,270)
		lbf	43,210 (47,130)	43,210 (47,130)	36,160 (39,440)	30,860 (33,660)
	ISO	kN	200.1 (218.2)	200.1 (218.2)	165.7 (180.8)	141.2 (154.1)
		kgf	20,400 (22,250)	20,400 (22,250)	16,900 (18,440)	14,400 (15,710)
		lbf	44,970 (49,050)	44,970 (49,050)	37,260 (40,650)	31,750 (34,630)

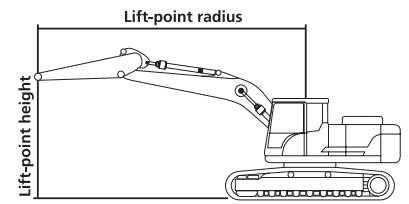
[]:

Power Boost

Note : Boom weight includes arm cylinder, piping, and pin Arm weight includes bucket cylinder, linkage, and pin

SPECIFICATIONS HX380AL

Powered By Cummins Performance Series Engine



Lifting Capacity

Boom: 6500 mm (21' 3")

Arm: 3200 mm (10' 6")

Bucket: 1.62 m³ (2.12 yd³) SAE heaped

Shoe 800 mm (31") triple grouser, CWT 7,000 kg (15,432 lb)

Capacities based on North American Standard Configuration in accordance with ISO condition 2 standard.

Rating over front

Rating over side or 360 degree

Lift-point height m (ft)		Lift-point radius												At max. reach		
		1.5 m (4.9 ft)		3.0 m (9.8 ft)		4.5 m (14.8 ft)		6.0 m (19.7 ft)		7.5 m (24.6 ft)		9.0 m (29.5 ft)		Capacity		Reach
																m (ft)
7.5 m	kg									*7790	*7790			*7050	*7050	7.80
24.6 ft	lb									*17170	*17170			*15540	*15540	-25.6
6.0 m	kg									*8000	*8000			*6910	6650	8.64
19.7 ft	lb									*17640	*17640			*15230	14660	-28.4
4.5 m	kg					*12530	*12530	*9960	*9960	*8720	8200	*8150	6100	*7020	5910	9.17
14.8 ft	lb					*27620	*27620	*21960	*21960	*19220	18080	*17970	13450	*15480	13030	-30.1
3.0 m	kg					*16270	*16270	*11750	10890	*9660	7850	*8570	5950	*7360	5530	9.42
9.8 ft	lb					*35870	*35870	*25900	24010	*21300	17310	*18890	13120	*16230	12190	-30.9
1.5 m	kg					*17950	15530	*13320	10320	*10570	7530	*9030	5780	*7970	5400	9.43
4.9 ft	lb					*39570	34240	*29370	22750	*23300	16600	*19910	12740	*17570	11900	-30.9
Ground Line	kg					*18930	15130	*14290	9960	*11200	7310	*9310	5670	*8980	5510	9.19
	lb					*41730	33360	*31500	21960	*24690	16120	*20530	12500	*19800	12150	-30.1
-1.5 m	kg			*12410	*12410	*19670	15070	*14520	9830	*11370	7210			*9570	5940	8.68
-4.9 ft	lb			*27360	*27360	*43360	33220	*32010	21670	*25070	15900			*21100	13100	-28.5
-3.0 m	kg	*15020	*15020	*20150	*20150	*18480	15220	*13910	9880	*10750	7270			*10070	6870	7.85
-9.8 ft	lb	*33110	*33110	*44420	*44420	*40740	33550	*30670	21780	*23700	16030			*22200	15150	-25.7
-4.5 m	kg			*21800	*21800	*15950	15610	*11940	10160					*10520	8990	6.57
-14.8 ft	lb			*48060	*48060	*35160	34410	*26320	22400					*23190	19820	-21.6

NOTES:

- Lifting capacities are based on ISO 10567.
- Lifting capacity of the HX Series does not exceed 75% of tipping load with the machine on firm, level ground or 87% of full hydraulic capacity.
- The Lift-point is bucket pivot mounting pin on the arm (without bucket mass).
- (*) indicates load limited by hydraulic capacity.



HYDRAULIC SYSTEM		STD	OPT
INTELLIGENT POWER CONTROL (IPC)			
3-Power Mode, 2-Work Mode, User Mode	●		
Variable Power Control	●		
Pump Flow Control (Upgraded IPC)	●		
Attachment Mode Flow Control			●
Engine Auto Idle	●		
Engine Auto Shutdown Control	●		
CAB & INTERIOR		STD	OPT
ISO STANDARD CABIN			
Cabin Lights (LED)			●
Cabin Front Window Rain Guard			●
Cabin Roof-Steel Cover			●
Rise-Up Type Windshield Wiper	●		
Radio / USB Player	●		
Handsfree Mobile Phone System with USB	●		
12 V Power Outlet (24 V DC to 12 V DC Converter)	●		
Electric Horn	●		
All-Weather Steel Cab with 360° Visibility	●		
Safety glass - Tempered glass	●		
Safety glass - Tempered glass with front laminated glass			●
Sliding Fold-In Front Window	●		
Sliding Side Window (LH)	●		
Lockable Door	●		
Hot & Cool Box	●		
Storage Compartment & Ashtray	●		
Transparent Cabin Roof-Cover	●		
Sun Visor	●		
Door and Cab Locks, One Key	●		
Mechanical Suspension Seat With Heater	●		
Pilot-Operated Slidable Joystick	●		
Console Box Height Adjust System	●		
AUTOMATIC CLIMATE CONTROL			
Air Conditioner & Heater	●		
Defroster	●		
AUTOMATIC STARTING AID(AIR GRID HEATER) FOR WEATHER			
Starting Aid (Air Grid Heater) for Cold Weather	●		
CENTRALIZED MONITORING			
8" LCD Display	●		
Engine Speed or Trip Meter / Accel	●		
Engine Coolant Temperature Gauge	●		
Max Power	●		
Low Speed / High Speed	●		
Auto Idle	●		
Overload warning with alarm			●
Check Engine	●		
Air Cleaner Clogging	●		
Indicators	●		
Eco Gauges	●		
Fuel Level Gauge	●		
Hyd. Oil Temperature Gauge	●		
Fuel Warmer	●		
Warnings	●		
Communication Error	●		
Low Battery	●		
Clock	●		
SEAT			
Mechanical Suspension without Heater	●		
Mechanical Suspension with Heater			●
Adjustable Air Suspension without Heater			●
Adjustable Air Suspension with Heater			●
CABIN FOG (ISO 1,0262) LEVEL 2			
FOG (Falling Object Guard)	Front & Tops Guard		●
	Top Guard		●
CABIN ROPS (ISO 1,2117-2)			
ROPS (Roll Over Protective Structures)	●		

SAFETY		STD	OPT
Battery Master Switch	●		
Rearview Camera			●
AAVM (Advanced Around View Monitoring)			●
Six Front Working Lights (4 Boom Mounted, 2 Front Frame Mounted)	●		
Travel Alarm	●		
Rear Work			●
Beacon Lamp			●
Automatic Swing Brake	●		
Boom Holding System	●		
Arm Holding System	●		
Safety Lock Valve for Boom Cylinder with Overload Warning Device			●
Safety Lock Valve for Arm Cylinder			●
Swing Lock System			●
Two Outside Rearview Mirror	●		
OTHERS		STD	OPT
Removable Clean-Out Dust Net for Cooler	●		
Removable Washer Tank	●		
Fuel Pre-Filter(1,000hr)	●		
Fuel Warmer	●		
Self-Diagnostics System	●		
Hi-Mate (Remote Management System)			●
Batteries (2 × 12 V × 160 AH)	●		
Fuel Filler Pump (50 l/min)			●
Single-Acting Piping Kit (Breaker, etc.)			●
Double-Acting Piping Kit (Clamshell, etc.)			●
Rotating Piping Kit			●
Quick Coupler Piping			●
Quick Coupler			●
Boom Floating Control			●
One Pedal Straight Travel System			●
Accumulator for Lowering Work Equipment	●		
Pattern Change Valve (2 Patterns)			●
Tool Kit			●
BOOMS			
6.15 m, 20' 2"			●
6.5 m, 21' 4"	●		
ARMS			
2.5 m, 8' 2"			●
3.2 m, 10' 6"	●		
3.9 m, 12' 10"			●
UNDERCARRIAGE		STD	OPT
Lower Frame Under Cover (Additional)			●
Lower Frame Under Cover (Normal)	●		
TRACK SHOES			
Triple Grousers Shoes (600 mm, 24")	●		
Triple Grousers Shoe (700 mm, 28")			●
Triple Grousers Shoe (800 mm, 32")	●		
Triple Grousers Shoe (900 mm, 36")			●
Double Grousers Shoe (600 mm, 24")			●
Track Rail Guard	●		
Full Track Rail Guard			●

- * Standard and optional equipment may vary. Contact your Hyundai dealer for more information. The machine may vary according to International standards.
- * The photos may include attachments and optional equipment that are not available in your area.
- * Materials and specifications are subject to change without advance notice.
- * All imperial measurements rounded off to the nearest pound or inch.



www.hceamericas.com
6100 Atlantic Blvd., Norcross, GA 30071
TEL (678) 823-7777 FAX (678) 823-7778

PLEASE CONTACT