

SPECIFICATIONS

HX220^A LR

Powered By Cummins Performance Series Engine

Net Power
170 HP (127 kW)
at 2,200 rpm

Standard Bucket
0.52 m³ (0.68 yd³)

Operating Weight
25,420 (56,040)



ENGINE	
Maker / Model	Cummins B6.7
Type	Tier 4F/ Stage V Emission Certified, 6 cylinder diesel engine with No Manual Regeneration.
Gross Power (SAE J1995)	173 HP (129 kW) at 2,200 rpm
Net Power (SAE J1349)	170 HP (127 kW) at 2,200 rpm
Max. Power	195 HP (145kW) at 2,000 rpm
Peak Torque	650 lb-ft (881 N-m) at 1,300 rpm
Displacement	6,700 cc (408 cu in)

HYDRAULIC SYSTEM	
MAIN PUMP	
Type	Variable Displacement Tandem Axis Piston Pumps
Max. Flow	2 x 51 gpm (2 x 221 l/min)
Sub-Pump For Pilot Circuit	Gear Pump

AUXILIARY PRESSURE			
2 Way	Flow (l/min)	26~116 gpm / (100~440 lpm)	
	Pressure (bar)	1,450~5,076 psi / (100~350 bar)	
Rotating	Flow (l/min)	14 gpm / (52.7 lpm)	
	Pressure (bar)	2,321 psi / (160 bar)	

HYDRAULIC MOTORS	
Travel	Two speed axial pistons motor with brake valve and parking brake
Swing	Axial piston motor with automatic brake

RELIEF VALVE SETTING	
Implement Circuits	350 kgf/cm ² (4,980 psi)
Travel	350 kgf/cm ² (4,980 psi)
Power Boost (Boom, Arm, Bucket)	380 kgf/cm ² (5,400 psi)
Swing Circuit	290 kgf/cm ² (4,125 psi)
Pilot Circuit	40 kgf/cm ² (570psi)
Service Valve	Installed

HYDRAULIC CYLINDERS	
No. of Cylinder Bore X Stroke	Boom: Ø120 x 1,290 mm
	Arm: Ø140 x 1,510 mm
	Bucket: Ø120 x 1,055 mm

DRIVES & BRAKES	
Drive Method	Fully Hydrostatic Type
Drive Motor	Axial Piston Motor, In-Shoe Design
Reduction System	Planetary Reduction Gear
Max. Drawbar Pull	20,800 kgf (45,860 lbf)
Max. Travel Speed (High / Low)	5.4 km/hr (3.4 mph) / 3.5 km/hr (2.2 mph)
Gradeability	35° (70%)
Parking Brake	Multi Wet Disc

CONTROL	
Pilot pressure operated joysticks and pedals with detachable lever provide almost effortless and fatigueless operation.	
Pilot Control	Two Joysticks with One Safety Lever (LH): Swing and Arm, Boom and Bucket
Traveling And Steering	Two Levers With Pedals
Engine Throttle	Electric, Dial Type

OPERATING WEIGHT (APPROXIMATE)	
Operating weight, including 8.2 m (26' 11") boom, 6.3 m (20' 8") arm, SAE heaped 0.52 m ³ (0.68 yd ³) bucket, 800 mm (32" shoe), lubricant, coolant, full fuel tank, full hydraulic tank, and all standard equipments.	

OPERATING WEIGHT				
Shoes		Operating Weight		Ground Pressure
Type	Width mm (in)		kg (lb)	kgf/cm ² (psi)
	800 (32")	HX220A LR	25,420 (56,040)	0.36 (5.16)
	900 (36")	HX220A LR	25,701 (56,660)	0.33 (4.64)

SWING SYSTEM	
Swing Motor	Fixed Displacement Axial Piston Motor
Swing Reduction	Planetary Gear Reduction
Swing Bearing Lubrication	Grease-Bathed
Swing Brake	Multi Wet Disc
Swing Speed	11.4 rpm

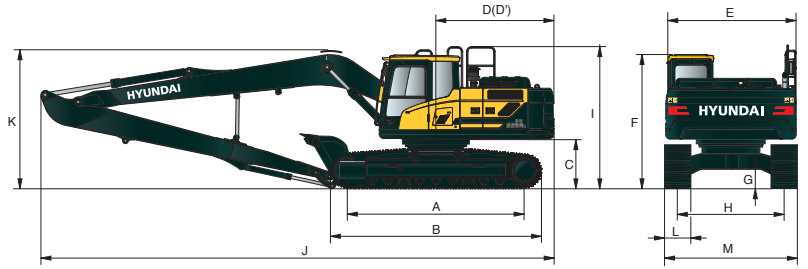
COOLANT & LUBRICANT CAPACITY		
	LITER	US gal
Fuel Tank	400	106
Engine Coolant	40	10.6
Engine Oil	23.1	6.1
Swing Device	6.2	1.64
Final Drive (Each)	4.5	1.2
Hydraulic System (Including Tank)	275	72.6
Hydraulic Tank	155	40.9
DEF/AdBlue®	48	12.6

UNDERCARRIAGE	
The X-leg type center frame is integrally welded with reinforced box-section track frames. The undercarriage includes lubricated rollers, idlers, track adjusters with shock absorbing springs and sprockets, and a track chain with double or triple grouser shoes.	
Center Frame	X - Leg Type
Track Frame	Pentagonal Box Type
No. of Shoes on Each Side	49 EA
No. of Carrier Roller on Each Side	2 EA
No. of Track Roller on Each Side	9 EA
No. of Rail Guard on Each Side	2 EA

CAB NOISE LEVEL	
Guaranteed noise level presented below can be differed depending on a range of factors such as operating condition, speed of a cooling fan, types of engine and so forth. Hearing protection shall be necessary if an operator is working in the improperly aintained cabin or exposed to a noisy environment by leaving doors and/or windows open. With cooling fan speed at maximum value:	
Operator sound pressure level (ISO 6396:2008)	70 dB(A)
Exterior sound power level (ISO 6395:2008)	98 dB(A)
* Distance of 15 m (49.2 ft), moving forward in second gear ratio	

SPECIFICATIONS HX220A LR

Powered By Cummins Performance Series Engine



HX220AL LONG REACH DIMENSIONS

Unit: mm (ft-in)

A	Tumbler Distance	3,650 (12' 0")
B	Overall Length of Crawler	4,404 (14' 4")
C	Ground Clearance of Counterweight	1,060 (3' 6")
D	Tail Swing Radius	2,890 (9' 5")
D'	Rear-End Length	2,770 (9' 1")
E	Overall Width of Upperstructure	2,740 (9' 0")
F	Overall Height of Cab	3,000 (9' 8")
G	Min. Ground Clearance	470 (1' 7")
H	Track Gauge	2,390 (7' 10")
I	Overall Height of Guardrail	3,210 (10' 5")

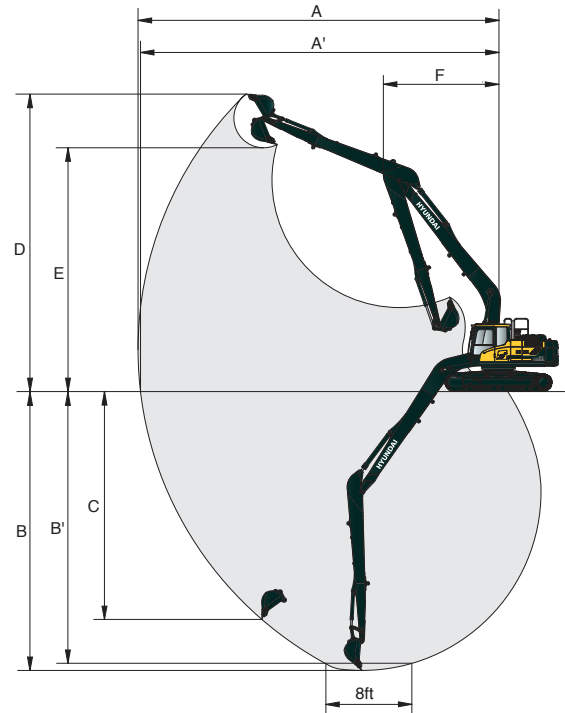
	Boom Length	8,200 (26' 11")
	Arm Length	6,300 (20' 8")
J	Overall Length	12,030 (39' 6")
K	Overall Height Of Boom	3,280 (10' 9")
L	Track Shoe Width	800 (32")
M	Overall Width	3,190 (10' 6")

* This figure includes the size of grousers.

HX220AL LONG REACH WORKING RANGE

Unit : mm (ft-in)

	Boom Length	8,200 (26' 11")
	Arm Length	6,300 (20' 8")
A	Max. Digging Reach	15,220 (50' 0")
A'	Max. Digging Reach On Ground	15,120 (49' 7")
B	Max. Digging Depth	11,760 (38' 7")
B'	Max. Digging Depth (8' Level)	11,650 (38' 3")
C	Max. Vertical Wall Digging Depth	9,610 (31' 6")
D	Max. Digging Height	12,550 (41' 2")
E	Max. Dumping Height	10,280 (33' 8")
F	Min. Swing Radius	4,870 (16' 0")



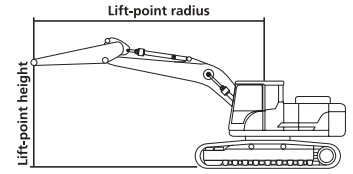
HX220AL LONG REACH DIGGING FORCE

Boom	Length	mm (ft.in)	8,200 (26' 11")
	Weight	kg (lb)	2,350 (5,180)
Arm	Length	mm (ft.in)	6,300 (20' 8")
	Weight	kg (lb)	1,330 (2,930)
Bucket Digging Force	SAE	kN	72.7
		kgf	7,410
		lbf	16,340
	ISO	kN	85.0
		kgf	8,670
		lbf	19,110
Arm Crowd Force	SAE	kN	48.9
		kgf	4,990
		lbf	11,000
	ISO	kN	49.9
		kgf	5,090
		lbf	11,220

Note : Boom weight includes arm cylinder, piping, and pin. Arm weight includes bucket cylinder, linkage, and pin

SPECIFICATIONS HX220A LR

Powered By Cummins Performance Series Engine



Lifting Capacity

Boom: 8.2 m (26' 11")

Arm: 6.3 m (20' 8")

Bucket: 0.52 m³ (0.68 yd³) SAE heaped

Shoe 800 mm (32") triple grouser, CWT 5,300 kg (11,680 lb)

Capacities based on North American Standard Configuration

in accordance with ISO condition 2 standard

Rating over front

Rating over side or 360 degree

Lift-point height (m/ft)		Lift-point radius										At max. reach											
		1.5m (4.9ft)		3.0m (9.8ft)		4.5m (14.8ft)		6.0m (19.7ft)		7.5m (24.6ft)		9.0m (29.5ft)		10.5m (34.4ft)		12.0m (39.4ft)		13.5m (44.3ft)		Capacity	Reach		
																				kg	lb	m (ft)	
10.5m	kg																						
34.4ft	lb																						
9.0m	kg																						
29.5ft	lb																						
7.5m	kg																						
24.6ft	lb																						
6.0m	kg																						
19.7ft	lb																						
4.5m	kg																						
14.8ft	lb																						
3.0m	kg																						
9.8ft	lb																						
1.5m	kg																						
4.9ft	lb																						
0.0m	kg																						
0.0ft	lb																						
-1.5m	kg																						
-4.9ft	lb																						
-3.0m	kg																						
-9.8ft	lb																						
-4.5m	kg																						
-14.8ft	lb																						
-6.0m	kg																						
-19.7ft	lb																						
-7.5m	kg																						
-24.6ft	lb																						
-9.0m	kg																						
-29.5ft	lb																						

NOTES:

- Lifting capacities are based on ISO 10567.
- Lifting capacity of the HX Series does not exceed 75% of tipping load with the machine on firm, level ground or 87% of full hydraulic capacity.
- The Lift-point is bucket pivot mounting pin on the arm (without bucket mass).
- (*) indicates load limited by hydraulic capacity.

HYDRAULIC SYSTEM

Electric Positive Flow Control (EPFC)		
3-Power Mode, 2-Work Mode, User Mode	●	
Variable Power Control	●	
Pump Flow Control	●	
Attachment Mode Flow Control	●	
Engine Auto Idle	●	
Engine Auto Shutdown Control	●	
Electronic Fan Control	●	

CAB & INTERIOR

ISO Standard cabin

Rise-Up Type Windshield Wiper	●	
Radio / USB Player	●	
Handsfree Mobile Phone System with USB	●	
12V Power Outlet (24V DC to 12V DC converter)	●	
Electric Horn	●	
All-Weather Steel Cab with 360° Visibility	●	
Safety glass - Tempered glass	●	
Safety glass - Tempered glass with front laminated glass		●
Sliding Fold-In Front Window	●	
Sliding Side Window (LH)	●	
Lockable Door	●	
Hot & Cool Box	●	
Storage Compartment	●	
Ashtray & Cigar Lighter		●
Transparent Cabin Roof-Cover	●	
Sun Visor	●	
Door And Cab Locks, One Key	●	
Mechanical Suspension Seat With Heater	●	
Pilot-Operated Slidable Joystick	●	
Console Box Height Adjust System	●	

Automatic climate control

Air Conditioner & Heater	●	
Defroster	●	
Starting Aid (Air Grid Heater) for Cold Weather	●	

Centralized monitoring

8" LCD Display	●	
Engine Speed or Trip Meter / Accel.	●	
Engine Coolant Temperature Gauge	●	
Max Power	●	
Low Speed / High Speed	●	
Auto Idle	●	
Overload warning with alarm		●
Check Engine	●	
Air Cleaner Clogging	●	
Indicators	●	
ECO Gauges	●	
Fuel Level Gauge	●	
Hyd. Oil Temperature Gauge	●	
Fuel Warmer	●	
Warnings	●	
Communication Error	●	
Low Battery	●	
Clock	●	
Cabin Lights	●	
Cabin Front Window Rain Guard		●
Cabin Roof-Steel Cover		●

Seat

Adjustable Air Suspension Seat With Heater	●	
--	---	--

Cabin FOG (ISO 10262) Level 2

FOG (Falling Object Protective Structure)-ISO 10262 Level 2		●
---	--	---

Cabin ROPS

ROPS (Roll Over Protective Structures)ISO 1211 7-2	●	
--	---	--

SAFETY

	STD	OPT
Battery Master Switch	●	
Rearview Camera	●	
AAVM (Advanced Around View Monitoring)		●
Four Front Working Lights (2 Boom Mounted, 2 Front Frame Mounted)	●	
Travel Alarm	●	
Rear Work Lamp		●
Beacon Lamp		●
Automatic Swing Brake	●	
Boom Holding System	●	
Arm Holding System	●	
Safety Lock Valve For Boom Cylinder With Overload Warning Device		●
Safety Lock Valve For Arm Cylinder		●
Swing Lock System		●
Three Outside Rearview Mirrors	●	
Front Guard - Wire Net		●

OTHER

Booms

8.2 m, 26' 11" Long Reach	●	
---------------------------	---	--

Arms

6.3 m, 20' 8" Long Reach	●	
Removable Clean-Out Dust Net For Cooler	●	
Removable Reservoir Tank	●	
Fuel Pre-Filter	●	
Fuel Warmer		●
Self-Diagnostics System	●	
Hi-MATE (Remote Management System)	●	
Batteries (2 × 12 V × 100 AH)	●	
Fuel Filler Pump (50 l/min)		●
Single-Acting Piping Kit (Breaker, Etc.)		●
Double-Acting Piping Kit (Clamshell, Etc.)	●	
Rotating Piping Kit		●
Quick Coupler Piping	●	
Quick Coupler	●	
Boom Floating Control		●
One Pedal Straight Travel System	●	
Accumulator For Lowering Work Equipment	●	
Pattern Change Valve (2 Patterns)	●	
Fine Swing Control System		●
Tool Kit		●

UNDERCARRIAGE

Lower Frame Under Cover (Additional)		●
Lower Frame Under Cover (Normal)	●	

Track Shoes

Triple Grousers Shoe (800 mm, 32")	●	
Triple Grousers Shoe (900 mm, 36")		●
Track Rail Guard	●	
Full Track Rail Guard		●

* Standard and optional equipment may vary. Contact your Hyundai dealer for more information. The machine may vary according to International standards.

* The photos may include attachments and optional equipment that are not available in your area.

* Materials and specifications are subject to change without advance notice.

* All imperial measurements rounded off to the nearest pound or inch.



www.hceamericas.com
6100 Atlantic Blvd., Norcross, GA 30071
TEL (678) 823-7777 FAX (678) 823-7778

PLEASE CONTACT