

SPECIFICATIONS

HL955A TM

Powered By Cummins Performance Series Engine



*Photo may include optional equipment.



Net Power

197 HP (147 kW) / 2,200 rpm

Operating Weight

16,500 kg (36,380 lb)

Standard Bucket

2.8 m³ (3.7 yd³)

 **HYUNDAI**
CONSTRUCTION EQUIPMENT

SPECIFICATIONS HL955A TM

ENGINE	
Maker / Model	CUMMINS / B6.7
Type	4-cycle turbocharged and charge air-cooled diesel engine
Gross Power (SAE J1995)	200 HP (149 kW) at 2.200 rpm
Net Power (SAE J1349)	197 HP (147 kW) at 2.200 rpm
Max. Power	210 HP (157 kW) at 1,900 rpm
Peak Gross Torque (SAE J1995)	730 lb.ft (990 N.m) at 1,300 rpm
Displacement	6.7 L (408 cu in)

TRANSMISSION	
Torque Converter Type	3-Elements, Single-stage, Single phase
Tire	20.5 R25, ★★, L3

Travel Speed, km/h (mph)		4 speed T/M
Forward	1st	7.1 (4.4)
	2nd	11.7 (7.3)
	3rd	23.6 (14.7)
	4th	39.2 (24.2)
Reverse	1st	7.4 (4.6)
	2nd	12.3 (7.6)
	3rd	24.9 (15.5)

AXLES	
Drive System	Four-wheel drive system
Front	Fixed
Rear Axle Oscillation	Oscillating $\pm 11^\circ$ degrees
Hub Reduction	Planetary reduction at wheel end
Differential	Conventional
Reduction Ratio	23.333

HYDRAULIC SYSTEM	
Type	Load sensing hydraulic system
Pump	Variable displacement piston pump,
Control Valve	3 spool (Bucket, Boom, Aux)
System Pressure	280 bar (3,980 psi)
Lift Circuit	The valve has four functions: raise, hold, lower and float can adjust automatic kickout from horizontal to full lift.
Tilt Circuit	The valve has three functions: tilt back, hold and dump. Can adjust automatic bucket positioner to desired load angle.
Cylinder	Type: Double acting No. of cylinders-bore x stroke:
	Lift 2-125 x 745 mm (2-4.9" x 29.3") Tilt 2-110 x 755 mm (2-4.3" x 26")
Hydraulic Cycle Time with Rated Payload	Raise from Carry Position: 5.5 Sec.
	Dump, at maximum raise: 2.5 Sec.
	Lower, empty, float down: 3.9 Sec.
	Total: 11.9 Sec.

OVERVIEW		
Description	HL955A TM	
Operating Weight	16,500 kg (36,380 lb)	
Bucket Capacity	Heaped	2.8 m ³ (3.7 yd ³)
	Struck	2.4 m ³ (3.1 yd ³)
Breakout Force-Bucket	12,800 kg (28,265 lb)	
Tipping Load	Straight	11,000 kg (24,255 lb)
	Full Turn	9,550 kg (21,055 lb)

TIRES	
Type	Tubeless, loader design tires
Standard	20.5 R25, ★, L3
Options Include	20.5 R25, ★, XHA
	20.5-25, 16PR, L3
	20.5-25, 16PR, L5

BRAKES	
Service Brakes	Hydraulically actuated, wet disc brakes actuate all 4 wheels independent axle-by-axle system. Self adjusting & wheel speed brake.
Parking Brake	Spring-applied, hydraulically released brake
Emergency Brake	When brake oil pressure drops, indicator light alerts operator and parking brake automatically applies.

STEERING SYSTEM	
Type	Load sensing hydrostatic articulated steering
Pump	Variable displacement piston pump
System Pressure	210 bar (3,046 psi)
Cylinder	Double acting 2-70 mm (2.8") x 418 mm (16.5")
Steering Angle	40° to both right and left angle, respectively
Features	Center-point frame articulation. Tilt and telescopic steering column.

SERVICE REFILL CAPACITIES	
Fuel Tank	230 liters (60.8 US gal)
Def Tank	30.1 liters (8.0 US gal)
Cooling System	42 liters (11.1 US gal)
Crankcase	18.0 liters (4.8 US gal)
Transmission	44 liters (11.6 US gal)
Front Axle	35 liters (9.2 US gal)
Rear Axle	35 liters (9.2 US gal)
Hydraulic Tank	110 liters (29.1 US gal)
Hydraulic System (Including Tank)	190 liters (50.2 US gal)

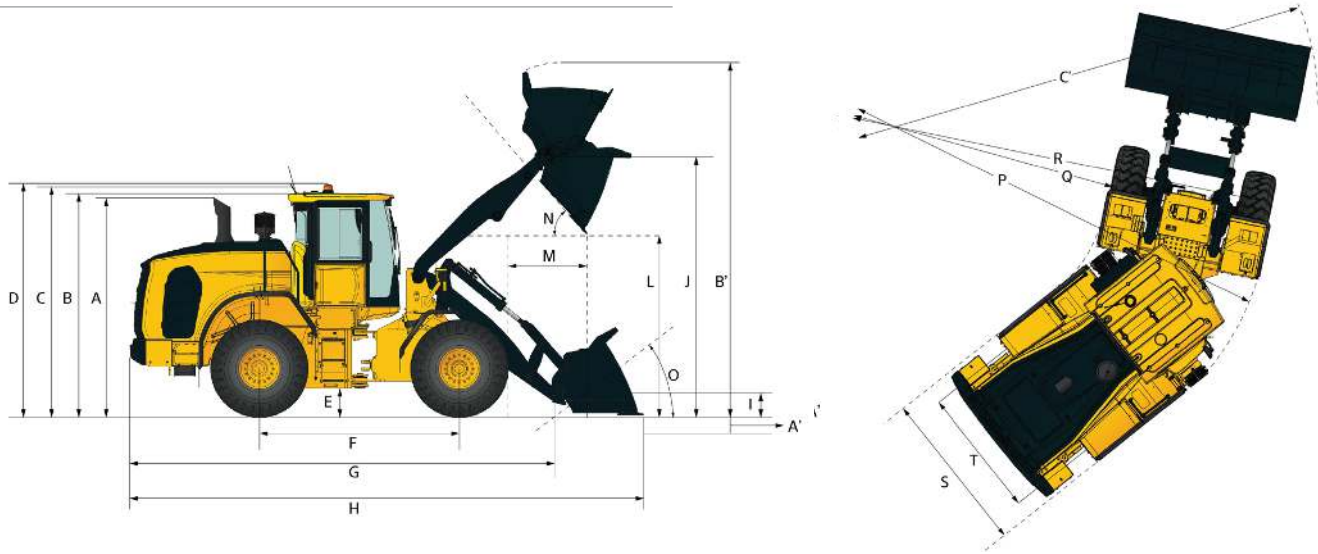
CAB NOISE LEVEL	
Guaranteed noise level presented below can be differed depending on a range of factors such as operating condition, speed of a cooling fan, types of engine and so forth. Hearing protection shall be necessary if an operator is working in the improperly maintained cabin or exposed to a noisy environment by leaving doors and/or windows open.	

With cooling fan speed at maximum value:	
Operator sound pressure level (ISO 6396:2008)	67 dB(A)
Exterior sound power level (ISO 6395:2008)	103 dB(A)
* Distance of 15 m (49.2 ft), moving forward in second gear ratio.	

CABIN	
ROPS / FOPS Cabin Meet ISO 3471 and ISO 3449	

HL955A TM DIMENSIONS

All dimensions are approximate.



Description	HL955A TM
A HEIGHT TO TOP OF EXHAUST PIPE	3,320 (10' 11")
B OVERALL HEIGHT (HEIGHT TO TOP OF CABIN)	3,390 (11' 1")
C HEIGHT TO TOP OF PRODUCT LINK ANTENNA	3,440 (11' 3")
D HEIGHT TO TOP OF WARNING BEACON	3,520 (11' 7")
E GROUND CLEARANCE	410 (1' 4")
F WHEELBASE	3,050 (10' 0")
G OVERALL LENGTH (WITHOUT BUCKET)	6,530 (21' 5")
H SHIPPING LENGTH (WITH BUCKET LEVEL ON GROUND)	7,820 (25' 8")
I HINGE PIN HEIGHT AT CARRY POSITION	455 (1' 6")
J HINGE PIN HEIGHT AT MAXIMUM LIFT	4,020 (13' 2")

Description	HL955A TM
L DUMP CLEARANCE AT MAXIMUM LIFT AND 45° DISCHARGE	2,850 (9' 4")
M REACH AT MAXIMUM LIFT AND 45° DISCHARGE	1,360 (4' 6")
N DUMP ANGLE AT MAXIMUM LIFT AND DUMP (ON STOPS)	50°
O ROLL BACK ANGLE	GROUND CARRY 50°
P CLEARANCE CIRCLE (DIAMETER) TO OUTSIDE OF TIRES	11,140 (36' 7")
Q CLEARANCE CIRCLE (DIAMETER) TO INSIDE OF TIRES	5,980 (19' 7")
R TURNING RADIUS (CENTER OF OUTSIDE TIRE)	5,305 (17' 5")
S WIDTH OVER TIRES (UNLOADED)	2,530 (8' 4")
OVERALL WIDTH (WITH BUCKET)	2,740 (8' 12")
T TREAD WIDTH	2,010 (6' 7")
GRADEABILITY	30°

Operating Specifications With Buckets

LINKAGE BUCKET TYPE		TOOL MASTER HCE QC	TOOL MASTER ISO QC
BUCKET TYPE		GENERAL PURPOSE - HOOK ON	GENERAL PURPOSE - HOOK ON
EDGE TYPE		BOLT - ON CUTTING EDGES	BOLT-ON CUTTING EDGES
CAPACITY - RATED	m ³ (yd ³)	2.7 (3.50)	2.8 (3.70)
CAPACITY - RATED AT 110% FILL FACTOR	m ³ (yd ³)	3.0 (3.90)	3.1 (4.00)
WIDTH	mm (ft/in)	2,740 (8' 12")	2,740 (8' 12")
DUMP CLEARANCE AT MAXIMUM LIFT & 45° DISCHARGE	mm (ft/in)	2,850 (9' 4")	2,670 (8' 9")
REACH AT MAXIMUM LIFT & 45° DISCHARGE	mm (ft/in)	1,360 (4' 6")	1,535 (5' 0")
A' DIGGING DEPTH	mm (ft/in)	105 (0' 4")	105 (0' 4")
H SHIPPING LENGTH (WITH BUCKET)	mm (ft/in)	7,820 (25' 8")	8,070 (26' 6")
B' OVERALL HEIGHT WITH BUCKET AT MAXIMUM LIFT	mm (ft/in)	4,820 (15' 10")	5,700 (18' 8")
C' LOADER CLEARANCE CIRCLE WITH BUCKET AT CARRY POSITION	mm (ft/in)	12,540 (41' 2")	12,670 (41' 7")
STATIC TIPPING LOAD, STRAIGHT (NO TIRE DEFLECTION)	kg (lb)	11,000 (24,255)	10,300 (22,710)
STATIC TIPPING LOAD, ARTICULATED (NO TIRE DEFLECTION)	kg (lb)	9,550 (21,055)	8,950 (19,735 LB)
BREAKOUT FORCE	kg (lb)	12,820 (28,265)	10,700 (23,590)
OPERATING WEIGHT*	kg (lb)	16,500 (36,380)	16,660 (36,730)

ENGINE	STD	OPT
ENGINE, CUMMINS, B6.7		
3 Stage air precleaner	•	
Alternator, 95A	•	
Fuel warmer	•	
Engine oil level dipstick gauge	•	
Fuel / water separator	•	
VGT (Variable Geometry Turbo)	•	
CLEAN EMISSION MODULE		
DOC, DPf and SCR	•	
Active Emission Regeneration (No Manual Regeneration Required)		
Stage V Certified Emissions	•	
EGR Free	•	
Automatic Regeneration	•	
COOLING SYSTEM		
Antifreeze	•	
Auto Reversing Fan (adjustable Time/ Interval Frequencies) w/ Manual Override	•	
Coolant Level Sight Gauge	•	
Fan guard	•	
Wide Fin Radiator	•	
POWER TRAIN		
TRANSMISSION		
Transmission F4/R3, computer controlled, electronic soft shift, auto-shift and kick-down features included	•	
Transmission oil sight level	•	
Wide Fin Transmission Oil Cooler	•	
AXLE		
Conventional (Rear)	•	
Hydraulic lock differential (Front)	•	
Limited slip differential (Front / Rear)		•
BRAKE		
Parking brake	•	
Service brake (Enclosed wet-disc)	•	
TIRES		
20.5 R25, ★★, L3	•	
20.5 R25, ★, XHA		•
20.5-25, 16PR, L3		•
20.5-25, 16PR, L5		•
HYDRAULIC SYSTEM		
Diagnostic pressure taps	•	
Hyundai Bio Hydraulic Oil (VG46)		•
Hydraulic oil level sight gauge	•	
Hydraulic Oil VG32		•
Hydraulic Oil VG46	•	
Wide Fin Hydraulic Oil Cooler	•	
HYDRAULIC CONTROL		
Fingertip		•
Joystick		•
ELECTRO-HYDRAULIC CONTROL		
Boom kickout, automatic	•	
Bucket positioner, automatic	•	
Extra piping for auxiliary function		•
Fingertip	•	
Joystick	•	
Quick coupler piping	•	
Ride control system	•	
CAB & INTERIOR		
ALARMS, AUDIBLE AND VISUAL		
Air filter clogging	•	
Battery voltage	•	
Brake oil pressure	•	
DEF low level	•	
Engine coolant level	•	
Engine coolant temperature	•	
Engine oil pressure	•	
Fuel level	•	
Hydraulic oil temperature	•	
Parking brake	•	
Service brake oil pressure	•	
Transmission error	•	
Transmission oil temperature	•	

CAB & INTERIOR	STD	OPT
GAUGES		
Diesel Exhaust Fluid (DEF) level	•	
Engine coolant temperature	•	
Fuel level	•	
Horn, electric	•	
Speedometer	•	
Transmission oil temperature	•	
INDICATOR LIGHTS		
Clutch Cut Off	•	
Differential Lock	•	
Engine auto stop	•	
FNR	•	
High beam	•	
Parking brake	•	
Pilot cut off	•	
Ride control	•	
Seat belt ON/OFF	•	
Turning light	•	
LCD DISPLAY		
Clock and fault code	•	
DEF level	•	
DEF low level	•	
Engine rpm	•	
Horn, electric	•	
Job time and distance	•	
Operating hour counter	•	
Transmission gear range	•	
BATTERIES		
850CCA, 12V, 2PCS	•	
LIGHTING SYSTEM		
Brake lights(Counterweight)	•	
LED dome light	•	
2 Head lights on front tower	•	
2 Head lights (LED) on front tower		•
2 Stop and tail lights	•	
4 Turn signals	•	
2 Working lights on front roof		•
4 Working lights on front roof		•
2 Working lights on rear roof		•
4 Working lights (LED) on front roof		•
2 Working lights (LED) on rear roof		•
2 Working lights on grill	•	
2 Working lights (LED) on grill	•	
SWITCHES		
Battery master switch	•	
Differential Lock	•	
Emergency steering		•
FNR shifter	•	
Hazard	•	
Parking	•	
Pilot cut off	•	
SYSTEM MEMORY SETTINGS		
Autolube, integrated in secondary display		•
Auto position	•	
Beacon light		•
Fine modulation	•	
Main light	•	
Mirror heat	•	
Quick coupler	•	
Rear wiper	•	
Ride control	•	
Work light	•	
Work load	•	
IGNITION		
Key	•	
Push Start Button		•
CAB (SOUND SUPPRESSED)		
24V to 12V DC converter (20A)	•	
Coat hook	•	
Magazine pocket	•	
One door cab	•	
Radio / USB player	•	
Rear view mirrors (1 Inside)	•	
Rear view mirrors (2 Outside, heated)	•	

CAB & INTERIOR	STD	OPT
CAB(SOUND SUPPRESSED)		
Roller type sunshade (Front window)	•	
ROPS / FOPS CAB.	•	
Rubber floor mat	•	
Steering column, tilt and telescopic	•	
Steering wheel with knob	•	
Tinted safety glass	•	
Wrist rest	•	
DOOR		
Door and cab locks, one key	•	
Doors, service access (Locking)	•	
Doors, service access (Remote control)		•
AUTOMATIC CLIMATE CONTROL		
Air conditioner & heater	•	
Defroster	•	
Intermittent wiper and washer, front and rear	•	
SEAT		
3" Retractable seat belt & adjustable air suspension (Heated)	•	
PERSONAL STORAGE SPACE		
Console box	•	
Holder, can and cup	•	
PEDALS		
Accel pedal without ECO switch	•	
Dual-brake pedal		•
One accelerator pedal	•	
One brake pedal	•	
SAFETY		
Alarm, back-up	•	
Boom safety lock		•
Emergency steering		•
Emergency stop	•	
Fire extinguisher		•
OBJECT DETECTION		
AAVM - All Around View Monitoring		•
IMOD (Intelligent Moving Object Detection)		•
RADAR + Secondary Mornitor		•
OTHERS		
2nd Monitor		•
3 Spool MCV	•	
5 speed T/M with lockup clutch		•
Air Compressor		•
Auto Engine Shut Down	•	
Auto Grease System		•
Articulation Locking Bar	•	
Heavy Counterweight	•	
Hi-Mate, Satellite		•
ISO Quick Coupler	•	
LED Beacon Lamp		•
License Plate & 10W LED Lamp		•
Lift and tie-down hooks	•	
Loader linkage, sealed	•	
Sun Shade on Rear Window of Cabin		•
Vandalism protection caplocks	•	
Wheel Chocks		•
SAFETY		
Handrails	•	
Ladders	•	
Platforms	•	
Steps	•	
TELEMATICS		
ECD (Engine Connected Diagnostics)	•	
Hi MATE		•
GUARDS		
Belly-Pan Guard		•
Crankcase	•	
Fenders (Front)	•	
Fenders (Rear)		•
Transmission	•	

* Standard and optional equipment may vary. Contact your Hyundai dealer for more information. The machine may vary according to International standards.
 * The photos may include attachments and optional equipment that are not available in your area.
 * Materials and specifications are subject to change without advance notice.
 * All imperial measurements rounded off to the nearest pound or inch.

PLEASE CONTACT