

# SPECIFICATIONS

## HA30

Powered By Tier 4 Final Scania Engine

**Net Weight**  
51,147 lbs  
(23,200 kg)

**Max Power**  
375 HP  
(276 kW)

**Body Volume**  
17.8 yd<sup>3</sup>  
(16.8 M<sup>3</sup>)

**Max Payload**  
28 metric ton /  
31 short ton

### ENGINE

Maker / Model	Scania DC 9
Type	Water-cooled, diesel engine with turbo charger and air-to-air intercooler
Aftertreatment System	EGR / SCR (No DPF)
Power Rating ISO 3046 @ 2100 rpm	Tier4F 375hp(276kW)
No. of Cylinders	5 (in line)
Torque Gross	1873 Nm@1,300 rpm
Displacement	2.46 gal (9.3 L)
Bore Diameter X Stroke	130 X 140 mm
Air Filter	2-stage (main + safety), dry type
Emissions	Complies with TIER4F of emission regulation

### ELECTRICAL SYSTEM

Voltage	24 V
Battery	2 X 12 V
Battery Capacity	2 X 140 Ah
Starter Motor	8HP (6 kW)
Alternator	28 V / 100 A

### DRIVETRAIN

Torque Converter	Lock up function in all gears
Transmission	Electronically controlled automatic transmission with retarder Full time 6X6 drive with two transverse differentials and one longitudinal Inter-axle longitudinal Torque-proportioning differential, integrated into the ZF transmission
Front Axle Transverse Differential	Limited-slip diff lock with 45% locking ratio mounted directly at transmission
Rear Axle Transverse Differential	Limited-slip diff lock with 45% locking ratio
Torque Distribution (100% Lockable)	1/3 to the front axle, 2/3 to the rear axle

### STEERING SYSTEM

Cylinder	Two double-acting
Standard	The steering is approved according to ISO 5010
Max. Steering Angle	15°
Emergency Steering	Ground-driven emergency steering pump

### TRANSMISSION

Maker / Model	ZF 8EP-320
Travel Speed - Forward	
1st	4 mph (6 km/h)
2nd	5 mph (8 km/h)
3rd	7 mph (11 km/h)
4th	10 mph (16 km/h)
5th	14 mph (23 km/h)
6th	20 mph (32 km/h)
7th	28 mph (45 km/h)
8th	34 mph (55 km/h)
Travel Speed - Reverse	
1st	4 mph (6 km/h)
2nd	5 mph (8 km/h)
3rd	7 mph (11 km/h)
4th	10 mph (16 km/h)
Front Hubs	Kessler
Rear Axle + Hubs	Kessler
Rear Tandem	Hyundai (in house)

### BRAKES

Service Brakes	Dual circuit braking system acting on all six wheels, all hydraulic-operated brakes with enclosed oil-cooled wet multiple discs on four hubs (braking force distributed to two hubs by tandem gear wheels)
Parking Brake	Spring actuated mounted on driveline shaft
Max. Gradient, Parking Brake	15°
Retarder	Automatic transmission retarder standard
Brake System	Complies with ISO3450

### CABIN

ROPS / FOBS cabin meet ISO 3471 and ISO 3449
Hand and arm vibrations are less than 2.5 ms <sup>2</sup> (ISO 5349-2)
Whole body vibration is less than 0.5 ms <sup>2</sup> (ISO 2631-1)

### AIR CONDITIONING SYSTEM

The air condition system contains fluorinated greenhouse gas refrigerant R134a (Global Warming Potential = 1,430). The system contains 2.0 kg of refrigerant representing a CO<sub>2</sub> equivalent of 2.86 metric tonnes.

# SPECIFICATIONS HA30

Powered By Tier 4 Final Scania Engine

## HYDRAULIC SYSTEM

Type	1 variable displacement piston pump for steering, tipping, cooling fan brakes & auxiliaries
Maximum Pump Output	77.6 gal / min @ 2,100 rpm
Filtration	return flow filter
Main Safety Valve Pressure Tipping	4,061 psi
Main Safety Valve Pressure Steering Circuit	3,045 psi
Tilt Cylinders	Single stage, double-acting
Tipping Time Raise	12 secs
Tipping Time Lower	10 secs

## BODY

Body Volume (Without Tailgate)	17.8 yd <sup>3</sup> (16.8 m <sup>3</sup> )
Material	Hardened abrasion-resistant steel plates (400 HB)
Body Tipping Angle	70°
Level Capacity (with / without tailgate)	15.5 yd <sup>3</sup> (14.2 m <sup>3</sup> ) / 14.9 yd <sup>3</sup> (13.6 m <sup>3</sup> )
Heaped Capacity (with / without tailgate)	19.5 yd <sup>3</sup> (17.8 m <sup>3</sup> ) / 18.4 yd <sup>3</sup> (16.8 m <sup>3</sup> )

## TIRES

Standard	23.5R25*
Optional	750/65R25

## WEIGHTS

Empty Front Axle	27,888 lbs (12,650 kg)
Empty Rear Axle	22,817 lbs (10,350 kg)
Net Weight	51,147 lbs (23,300 kg)
Max. Admissible Load: Front Axle	36,817 lbs (16,700 kg)
Max. Admissible Load: Rear Axle	81,571 lbs (37,000 kg)
Max. Admissible Total Weight	112,876 lbs (51,200 kg)
Payload	28 metric ton / 31 short ton

## POWER TO WEIGHT RATIO

Empty	11.9 kW/t
Loaded	5.4 kW/t

\*Distance of 15 m, moving forward in second gear ratio

## SERVICE REFILL CAPACITIES

Engine Oil	88.5 gal (33.5 L)
Fuel Tank	96 gal (363 L)
DEF Tank	18.5 gal (70 L)
Transmission	17.7 gal (67 L)
Hub Front (2x)	2.5 gal (9.6 L)
Tandem Housing, Rear Differential and Hubs	33.8 gal (128 L)
Hydraulic System	25 gal (95 L)
Engine Cooling	11.9 gal (45 L)

## GROUND PRESSURE

Tires	Standard tires with 15% sinkage
Unloaded Front Axle	122 kPa
Unloaded Rear Axle	52 kPa
Loaded Front Axle	162 kPa
Loaded Rear Axle	170 kPa

## ARTICULATION HINGE AND CHASSIS

Articulation hing	Articulation hinge with forward-mounted large dimensioned turning ring
Chassis	Heavy duty design, box type welded frames: 7° sloping rear frame design

## SUSPENSION

Front	Semi-independent, self-levelling hydro-gas suspension, manually adjustable
Rear	Free-swinging tandem housing

## NOISE

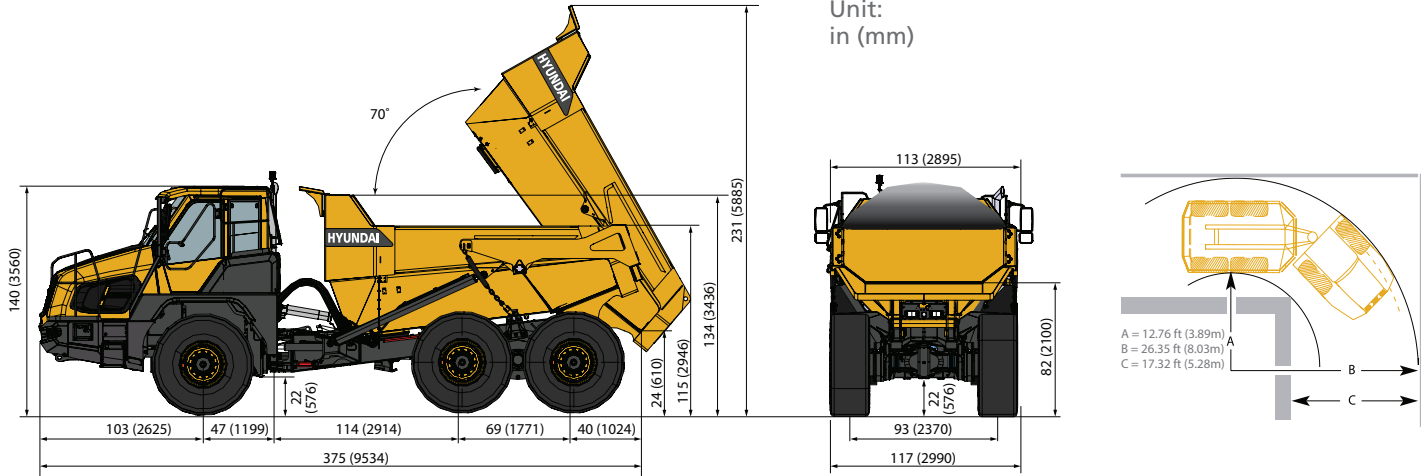
Guaranteed noise level presented below can be differed depending on a range of factors, such as operating condition, speed of a cooling fan, types of engine and so forth. Hearing protection shall be necessary if an operator is working in the improperly maintained cabin or exposed to a noisy environment by leaving doors and/or windows open.

With a cooling fan at maximum value:	
Operator Sound Pressure Level (ISO 6396:2008)	72 dB(A)
Exterior Sound Power Level (ISO 6395:2008)	107 dB(A)

# DIMENSIONS HA30

Powered By Tier 4 Final Scania Engine

## HA30



HA30 width with  
750/65 R25 tyres:  
3208mm

Turning radius according to ISO 7457:  
25.2 ft (7.68 m)

### DIMENSIONS Unit: in (mm)

DIMENSIONS	Unit: in (mm)
Transport position / cab height	141 (3604)
Rotating beacon	151 (3836)
Overall w/o tailgate	375 (9515)
Overall with tailgate	375 (9555)
Overall body tipped	410 (10405)
Overloading height	150 (3800)
Over outside front tire 23.5R25	118 (3000)
Over outside front tire 750/65R25	126 (3208)
Over mudguard	113 (2860)
Over mirror operating position	138 (3499)
Over outside rear tires 23.5R25	117 (2990)
Over outside rear tires 750/65R25	117 (2976)
Between inner tires	69 (1740)
Over body	114 (2895)
Ground clearance art. hinge	22 (567)
Ground clearance front axle	22 (549)
Ground clearance rear axle	21 (540)
Ground clearance body fully tipped	24 (610)
Overloading	37 (2946)
Body w/o rock guard	135 (3436)
Body with rock guard	141 (3572)
Body fully tipped w/o rock guard	232 (5885)
Body fully tipped with rock guard	246 (6240)
Body tip	83 (2100)
Front axle center to machine front	103 (2605)
Front axle center to art. hinge	47 (1200)
Art. hinge to rear axle centre	150 (3800)
Rear axle centre to body tip	75 (1910)
Front axle center to rear axle center	197 (5000)
Wheelbase rear axle	70 (1771)

### DIMENSIONS Unit: in (mm)

DIMENSIONS	Unit: in (mm)
Approach angle front	22.5°
Max. body tip angle	70°
Max. steering angle	45°
Front tie down height	34 (874)
Rear tie down height	46 (1180)
Load height (SAE 2 : 1)	142 (3600)
Inner turning radius	157 (3995)
Outer turning radius	302 (7680)
Outer wheel turning radius	318 (8065)
Corridor width	208 (5280)



# STANDARD EQUIPMENT

## ENGINE

- Electronically controlled, direct injected, water-cooled, turbo-charger, air-to-air intercooler
- Preheater for easier cold starts
- Exhaust brake

## HYDRAULIC SYSTEM

- 1 variable displacement piston pump for steering & tipping
- One return flow filter

## SAFETY

- Gradient meter with anti-flip-over protection system
- Payload meter & cycle counter
- Wet disc brake
- Rear-view camera
- Hammer for emergency escape
- Hand rails on the fenders

## OTHER

- Transmission retarder brake
- Automatic lubrication system
- Mud flaps
- Towing hook, front and rear
- HYUNDAI Connect telematic system
- Work light kit (rear and front)
- Load weighing system

## CAB & INTERIOR

- Armrest at operator seat
- Headrest at operator seat
- Safety belt at operator and instructor seat
- Adjustable steering column
- All instrumentation in LCD display
- Cigarette lighter
- 12 V and USB charging point
- Retractable roller sunblind
- Tinted safety glass
- Sliding window (left & right side)
- Windshield wiper and washer
- Side mirrors
- Protection for rear window
- Emergency steering, ground-driven
- Radio/MP3 and Bluetooth
- Cab tilting system
- Emergency shutdown switch
- Anti-slip steps & platform
- Cool box compartment
- Storage room
- Electronic climate control
- High-comfort seat (vertical and longitudinal suspension)
- Heated operator seat

# OPTIONAL EQUIPMENT

## BODY

- Tailgate
- Body lining (400 HB)
- Side extension (200mm/250mm)
- Body heating kit

## SAFETY

- Seat belt green warning light
- Blue or orange flashing reverse light
- White noise alarm
- Air inlet pre-cleaner
- Protection for rear lights
- Wheel block
- LED main lights
- HEPA filter package

## TIRES OPTIONS

- Quarry
- Earthmoving
- Flotation tires

## OTHER

- Webasto heating system (heat up the cooling system)
- Fire extinguisher
- First aid kit
- Beacon (rotating / foldable)
- Light bar LED
- Speed limitation
- Work light kit (rear and front) LED
- Tool kit
- Warning triangle
- Fast fill
- Tire pressure monitoring system (may not be available with all tires)
- Electrical diesel refueling pump
- Electrical adjustable heated mirror
- Electrical engine heater (230V)
- Auto grease system (6L, 20L, Beka)
- First maintenance kit
- Artic oil
- Sign light
- Construction road sign
- CB radio
- Heated seat with 3" belt (2p/3p)



www.hceamericas.com  
6100 Atlantic Blvd., Norcross, GA 30071  
TEL (678) 823-7777 FAX (678) 823-7778

PLEASE CONTACT