



# Heavy-Duty Front Mount Broom

# FB-100



**ENGINE**

Tier 4F, Kubota® 3.8L 74 hp (55 kW) @ 2,600 rpm

**OPERATING WEIGHT**

9,100 lbs (4,128 kg)

# FEATURES



ROADTEC BROOMS  
KEEP YOU FOCUSED  
ON PRODUCTIVITY  
WITH POWERFUL  
MACHINES THAT ARE  
EASY TO SERVICE  
AND EXTREMELY  
COMFORTABLE TO  
OPERATE.



## Built for the Work Environment, Built to Last

The FB-100 was designed from top to bottom to be a resilient, high performance machine. It's constructed the Roadtec way: solid, dependable, and durable. With axle capacities of 14,000 lbs (6,350 kg) this machine comes in at twice the strength of competitive models. Oil bath sealed brakes come standard on the machine to increase the wear life and decrease operating costs.

## Efficient and Versatile

With its front-mounted patented telescoping broom head, the FB-100 allows the operator to change broom with little time and effort. The broom head's side shift feature prevents tire wear when sweeping next to a curb. The broom drive motor can be mounted on the right or left side, allowing for a flush sweep on either side of the machine.

## Performance you Demand

Finally, different brush widths can be accomplished without multiple broom heads. On the FB-100, you can use brush sizes from 72"-96" (1829-2439 mm) by way of the patterned core changing broom head. Broom head speed control, steering wheel tractor control, and fingertip-control lever are all conveniently located inside the operator's station. The float pressure for the setting between the ground and broom head is also adjustable in the operator's station. This machine puts more power through the broom head than the other brooms, allowing the job to be done right on the first pass.



## Standard Equipment

- Enclosed Cab (ROPS Certified)
- A/C and Heater
- Sealed A/C Clutch
- Cab Pressurizer
- Work Lights Front & Rear
- Amber Strobe Light
- Air Intake Extension
- Ejector Style Air Pre-Cleaner
- Defroster Vent
- Windshield Washer
- Hydrostatic Hand Control
- Heavy-Duty Axles

## Options

- 120 gallons (454 l) Water Tank With Spraybar
- Suspension Seat
- Wafer Core Broom

**Broom head can pivot 33 degrees to each side**

# SPECIFICATIONS

## ENGINE

- Tier 4F, Kubota® 3.8L 74 hp (55 kW) @ 2,600 rpm

## WEIGHT

- 9,100 lbs (4,128 kg)

## ELECTRICAL SYSTEM

- 140 amp
- 12v starting system
- Heavy-duty 16 gauge wiring
- Sealed A/C clutch

## PROPEL SYSTEM

- Closed loop hydraulic circuit
- Load sense auxiliary hydraulic circuit
- Planetary reduction at the wheels with sealed wet disc brakes
- Heavy-duty 14,000 lbs (6,350 kg) capacity axles.

## STEERING

- Rear steer; orbitrol, hydrostatic type

## SPEEDS

- Travel: 22 mph (35 kph)
- Working: 13 mph (21 kph)

## TIRES & WHEELS

- LT225/75R15 tires with 15" (381 mm) heavy duty steel, highway tread wheels

## OPERATOR STATION

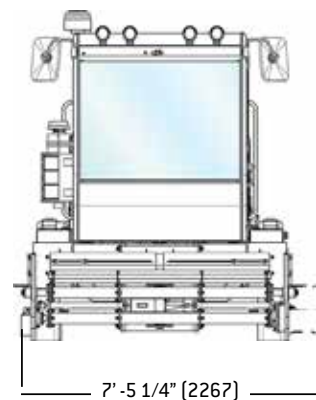
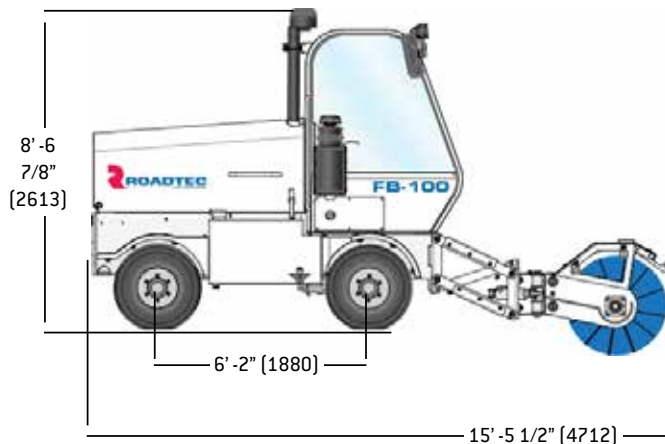
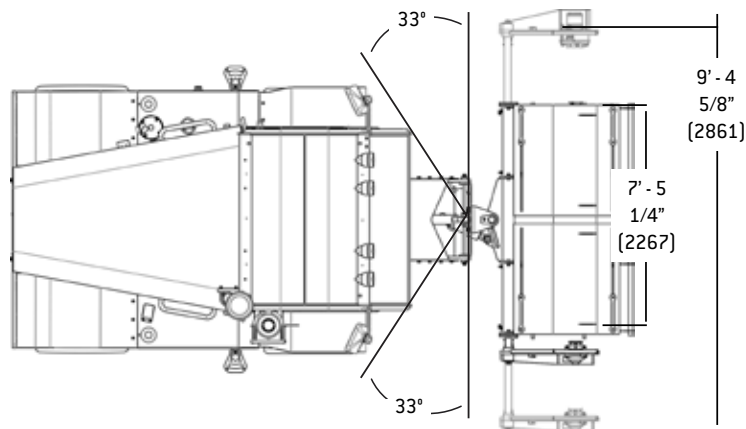
- Left-hand entry into spacious cab
- Headlight bar with front and rear lights
- Pressurized cab with filtered A/C and heat
- Fully adjustable reclining seat with armrests

## BRUSH

- Front-mounted
- Core sizes up to 10" (254 mm) diameter
- Infinitely variable width broom head with side shift capability and 33° rotation
- Minimum broom width 72" (1829 mm)
- Maximum broom width 96" (2439 mm)
- Broom drive motor easily switched from right to left for flush-sweep capability on either side
- Fully adjustable speed & down pressure

## SERVICE CAPACITIES

- Fuel – 40 gallons (151 l)
- Hydraulic tank – 40 gallons (151 l)
- Water tank (optional) – 120 gallons (454 l)



Dimensions in brackets are mm.

Specifications are subject to change without notice.

**ROADTEC** an Astec Industries Company

800 MANUFACTURERS RD • CHATTANOOGA, TN 37405 USA • 800.272.7100 • FAX 423.267.7104 • roadtec.com

