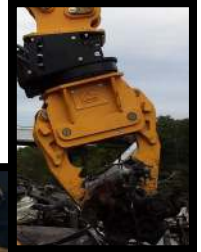


EXTRACT EVERY POUND OF REVENUE

SAS™ EXTREME™ Auto Processor



INCREASE CASH RECOVERY FROM FULLY PROCESSING SCRAP AUTOS

FAST & SIMPLE INSTALLATION

- Hold down arms engineered to pin to existing dozer mount & use existing undercarriage hydraulics*.
- Grapple of SAS™ EXTREME™ Auto Processor attachment pins directly to factory stick mount

EXTRACT MORE POUNDS & GENERATE MAXIMUM REVENUE:

- Garner more pounds of precious metals:
 - **Copper** wiring, radiators, heater core, alternators, starters
 - **Catalytic converters** and exhaust manifolds with integrated catalytic converters
 - **Aluminum** condensers, a/c evaporators, intake manifolds
 - Engines and transmissions
- Multiply your revenue by separating metals from car bodies.



ENGINEERED & BUILT FOR OPTIMUM PERFORMANCE:

- Rotating head with *Patented* jaws that provide combination of:
 - **Aggressive** teeth for high speed engine pulling (*Patented*)
 - **Needle nose** type tip for wire harness retrieval (*Patented*)
 - **Penetrate tight** areas with speed & accuracy with streamlined smooth exterior shape (*Patented*)
 - **Synchronized** jaw motion for operator speed and accuracy
- Replaceable needle nose tips (*Patented*)
- Hard facing on jaw teeth
- Hardened pins and bushings and grease-able pivot points for extend service life.
- Hydraulic cylinder on rotating head is protected to minimize potential damage.
- Wire stripper V to clean up harnesses (*Patented*)

VIDEO ONLINE:

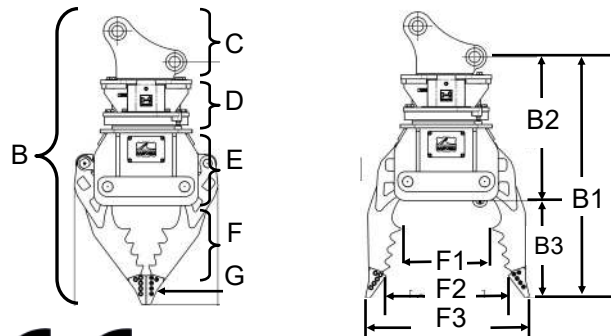
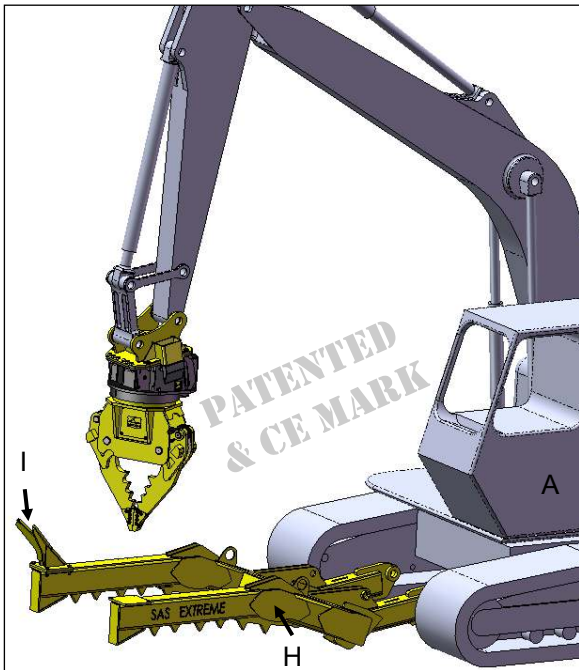
<https://www.sasforks.com/extreme>

BEST SUITED FOR:

- 14-31 Metric Tonne (15-35 US ton) Rubber tire or Track excavator (fits both with & without dozer blade models)
- Two auxiliary hydraulic functions plumbed to the end of the stick for rotating head with jaws
 - Grapple: Bi-directional fluid circuit, return not free flow to tank, 31 Mpa (4,500 psi), 130 L/min (35 gpm)
 - Rotator: Bi-directional fluid circuit, return not free flow to tank, 25 Mpa (3,600 psi), 40 L/min (10 gpm)
- Hydraulic function required to operate hold-down, from either dozer blade, outriggers or available diverter valve.
- Cab with safety glass and steel mesh to protect operator.

Information for illustration only. Specifications subject to change.

SAS™ EXTREME™ Auto Processor



Models: EX25 & EX30

Specifications subject to change.

Item	Standard: 25	30	35
A- Excavator Weight: Metric tonne	14-23	20-31	20-31
USA ton	15-26	26-35	26-35
B- Grapple & Rotator Assembly	2,850 lb	3,090 lb	3,620 lb
B1- Total head height	68"	68"	78"
B2- Stick mount & rotator	40"	40"	48"
B3- Jaw depth	28"	28"	30"
C- Stick mount	yes	yes	yes
D- Rotator subassembly	yes	yes	yes
Rotator torque 7,000 Nm	61,954 in-lb	61,954 in-lb	61,954 in-lb
Hydraulic Pressure Max.	3,600 psi	3,600 psi	3,600 psi
Hydraulic Flow Max.	10 gpm	10 gpm	10 gpm
E- Heavy duty protective cylinder enclosure:	yes	yes	yes
Hydraulic Pressure Max.	4,500 psi	4,500 psi	4,500 psi
Hydraulic Flow Max.	35 gpm	35 gpm	35 gpm
F- Patented Jaws with synchronization	yes	yes	yes
F1- Inside jaw clearance	26"	26"	52"
F2- Inside jaw opening	34"	34"	58"
F3- Outside jaw reach	46"	46"	72"
G- Patented Replaceable tips	yes	yes	yes
H- Hold Down Arms	yes	yes	yes
Weight	3,780 lb	3,780 lb	3,780 lb
H1- Fixed outside width	60"	60"	60"
H2- Fixed inside work space	48"	48"	48"
H3- Range of lift motion (estimated)	0-72" high	0-72" high	0-72" high
H4- Individual arm size	6"w x 10"t x 84"l	6"w x 10"t x 84"l	6"w x 10"t x 84"l
I- Patented Wire harness stripping-v	yes	yes	yes
J- Installation pins	no	no	no
K- Optional Hinge & 2 Cylinders (if no dozer)	no	no	no
L- Color	yellow	yellow	yellow
M- Hydraulic requirements existing on equipment:			
• 2 bi-directional hydraulic functions on stick.			
• 1 bi-directional hydraulic function to lower car-body frame.			

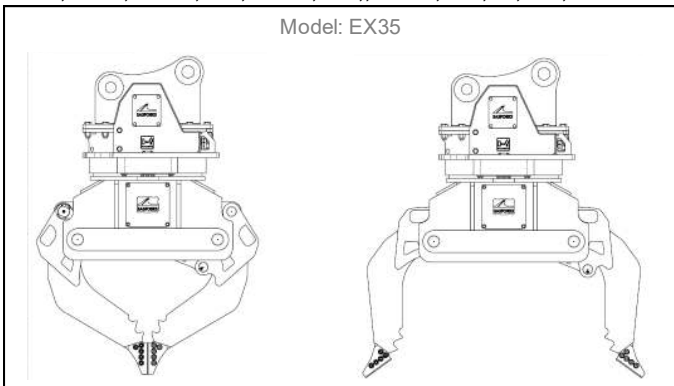
Customer responsible for labor, hoses, modifications to pressures, valves, cylinders, reinforcing of lower x-frame, or other work required for excavator to accommodate hold down installation & operation.

Customer Sign X: _____ Date: ___/___/___

Customer Company Name: _____

U.S.A. Patents: 9,211,832,B1; D672,369S; D704,752S; D740,861S; D747,170; D779,564.; D779,565, 9,414,704

Model: EX35



Contact: 0-EX-A BWQ:

SAS Forks
133 Center Drive Hwy 54 - PO Box 260
Luxemburg, WI 54217-0260 U.S.A.
Phone: 920-845-2198 Fax: 920-845-2309

Email: Main office: mark@sasforks.com
adam@sasforks.com

Web Site: www.sasforks.com



133 Center Drive Hwy 54 • P.O. Box 260 • Luxemburg, WI 54217 • sasforks.com • Phone: (877) 727-3675 (877-sasfork)

We are TENAMEC—where tenacious and mechanical fuse. TENAMEC is proud to create the world's most durable material handling solutions under the Builtrite, SAS Forks and Lemco brands.

