

SAKAI®

SW774

Series

Asphalt Roller



Oscillatory/Vibratory Tandem Rollers

SW774 & 774ND

High frequency vibratory asphalt rollers are literally the fastest rollers available, featuring a high frequency of over 4,000 vpm. Designed to beat the tender zone on superpave and other perpetual pavement mixes.

Best Compaction Quality and Efficiency

- Frequency and amplitude modes can be switched from the seat
- Cross-mounted drive and vibration motors help maintain even weight distribution
- Counter rotation of eccentric weights in the drums cancel horizontal force
- Timer, auto or constant operated water spray system
- Osc achieves density on no-vibe jobs where structural integrity is of concern.

Operator Comfort

- Multi-position operator station (MPOS) (5 positions)
- 180° easy rotating operator console
- Excellent drum edge visibility from the operator seat

High Safety Standard

- Sakai proprietary emergency brake pedal which kills the engine and stops the machine instantly.
- 3 inch retractable seat belt
- 39 inches of visibility to the front and rear from the operators seat
- SAHR (spring applied - hydraulic released) brake

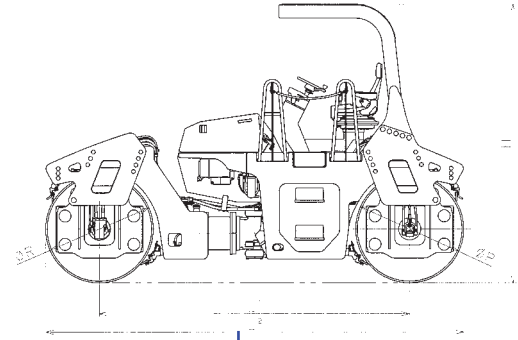
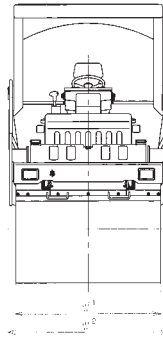
Easy Maintenance

- Sprinkler system with plastic water tanks, triple-filtration, removable brass nozzles for ease of maintenance with excellent draining winterization
- Easy ground level access to all check and maintenance points
- Long life drum isolators
- Gear drive Osc/Vibe system (no belts)

www.sakaiamerica.com

Options shown. Contact your dealer for details.

SW774 Series



MODEL		SW774	SW774ND	
WEIGHTS	Max. operating weight with ROPS	10,475 (23,095)	11,005 (24,260)	
	Operating weight with ROPS	10,020 (22,090)	10,555 (23,270)	
	Load on front axle - operating weight with ROPS	4,720 (10,405)	4,990 (11,000)	
	Load on rear axle - operating weight with ROPS	5,300 (11,685)	5,565 (12,270)	
PERFORMANCE	Centrifugal force	kn(lbs)	Low : 103 / 58 / 43 (23,155 / 13,040 / 9,665) Hi : 97 / 71 (21,805 / 15,960)	
	Frequency	Hz(vpm)	Low : 66.7 / 50.0 / 41.7 (4,000 / 3,000 / 2,500) Hi : 50.0 / 41.7 (3,000 / 2,500)	
	Amplitude	mm(in)	0.30 / 0.50 (0.012 / 0.020)	
	Dynamic linear pressure for front drum - operating weight with ROPS	N/cm(lb/in)	Low : 889 / 621 / 531 (507 / 354 / 303) Hi : 853 / 698 (487 / 399)	
	Dynamic linear pressure for rear drum - operating weight with ROPS	N/cm(lb/in)	Low : 922 / 655 / 565 (527 / 374 / 323) Hi : 887 / 732 (506 / 418)	
	Number of speed shift		1	
	Speed range (L / H)	km/h(mph)	0 - 12 (0 - 7.5)	
	Gradeability	%(°)	32 (17)	
	Turning radius compacted surface (inside / outside)	m(in)	4.6 / 6.3 (182/249)	
	DIMENSIONS	Overall length L ²	mm (in)	4,850 (191)
		Overall width W ²	mm (in)	1,870 (74)
		Overall height (without ROPS)	mm (in)	2,390 (94)
Overall height (with ROPS) H		mm (in)	3,225 (127)	
Wheelbase L ¹		mm (in)	3,600 (142)	
Compaction width W ¹		mm (in)	1,680 (66)	
Drum width W ¹ / Drum diameter (outer)		mm (in)	1,680 / 1,250 (66 / 49)	
Shell thickness		mm (in)	19 (0.75)	
Ground clearance		mm (in)	275 (10.8)	
Curb clearance		mm (in)	900 (35.5)	
Side clearance		mm (in)	95 (3.8)	
ENGINE		Make		KUBOTA
		Model		V3800-CR-TI-EV03
		EPA emission standard		EPA Tier 4
	Type		Diesel, water cooled, 4 cycle, 4 cylinder, with turbo charger	
	Displacement	L (cu.in)	3.769 (230.0)	
	Rated output	kW (HP) / min-1	81.8 (110) / 2,400	
	Electric system battery	V (V/CCA×Qty)	12(12 / 750×2)	
	Electric system alternator	V/A	12 / 80	
DRIVE SYSTEM	Power transmission type		Hydrostatic	
	Drive wheel		All wheel (2 drums)	
VIBRATION SYSTEM	Power transmission type		Hydraulic	
	Number of amplitude		2	
BRAKE SYSTEM	Service brake		Single eccentric shafts	
	Secondary brake(Emergency brake)		Double eccentric shafts	
STEERING SYSTEM	Power transmission type		Dynamic braking through hydrostatic drive system / F-N-R lever	
	Articulation / Oscillating angle	± (°)	Hydrostatic + Spring applied hydraulically released type (SAHR) / Brake pedal	
FLUID CAPACITY	Fuel tank	L (gal)	SAHR / Panel button	
	Hydraulic oil tank	L (gal)	Hydraulic	
	Water sprinkler tank	L (gal)	300 + 450 (79.3 + 118.9)	
	DEF tank	L (gal)	20 (5.3)	

- Specified figures have a tolerance of ±5%.
- All specifications may be changed without notice.
- Specified figures are in SI Units, followed by their equivalent in English units of measurement in parentheses.
- Max. operating weight : Fuel=100%, Water=100%, Operator=75kg
- Operating weight : Fuel=50%, Water=50%, Operator=75kg
- The photos may contain optional equipment and/or attachment.

- Optional equipment
- Exact Compact Meter
- LED working lights
- LED Drum light kit
- Coco mats
- Rotary beacon



SAKAI AMERICA, INC.
(800) 323-0535

90 INTERNATIONAL PARKWAY, ADAIRSVILLE, GEORGIA 30103