

EZV

HIGHWAY CLASS SCREED



EZV

Standard Width	10'-19.5' (3.05m-5.94m)
Wide Pave Width	25' (7.6m)
Max. Fixed Width	30' (9.1m)
Weight	7,500 lbs (3402kg)

OVERVIEW

The Next Generation of Carlson Front Mount Screed. The Carlson EZV pushes screed versatility to new heights while delivering unparalleled mat quality. With its unique ability of paving as a hydraulically extendable and a fixed width platform in one, the EZV excels on commercial, municipal, highway and specialty paving applications. Combined with an enhanced extension support system 200% stronger than the industry's next leading platform, the EZIV, the EZV easily tackles wide width paving projects up to 26' (7.92m) while also achieving a leading 30' (9.1m) as a fixed width screed.

With a standard paving width of 10'-19.5' (3.05-5.9m), the EZV can be mounted to all current 10-foot North American models offered by the major paver manufacturers. The screed platform can also be retrofitted on to nearly any previous 10-foot North American highway-class paver, combining the leading performance of the EZV with your fleet's dependable workhorse.

Industry Leading Extension Support And Unrivaled Paving Versatility





Unmatched Performance with its equal width single slide extensions, heavy duty extruded aluminum frame between the chrome rods for industry-leading strength, and class-exclusive ability to pave as a fixed width screed up to 30' (9.1m).

Unequaled Contractor Focus with its deep foldable walkways, zonal heat management system, long lasting wear components, and the most crew comfort features standard including LED work lights, cup holders and more.

Unparalleled Mat Quality with its 26" (660mm) deep main screed plate, state-of-the-art heating elements for fast, even heat, intuitive adjustment points for simple leveling and innovative V3 endgate platform.

FEATURES & BENEFITS

Achieving exceptional mat quality while eliminating extension flex, the EZV sets a new standard for front mount platforms. Combined with its leading crew comfort features and easy adjustments for leveling, Carlson's EZV delivers superior performance across a wide array of paving applications.



1 Screed Plates

Featuring a 26" (660mm) deep, 450 Brinell-rated one piece main screed plate, the EZV offers flatter angle of attack and more screed surface. This translates to longer plate lifecycle and higher mat quality. Enhanced plate lifecycle is paired with easily adjustable, tightly fitted strike offs, innovative deck cone leveling system, fully adjustable slide block bushings, and oversized slope stop, all providing longer wear component lifecycle while holding their adjustments longer.

2 Extension Support

Whereas other screeds in the industry rely solely on chrome rods for strength, the EZV's 2" (51mm) diameter chrome rods are tightly fixed to an extruded aluminum frame that provides 200% more strength than the next leading platform. This high strength frame is paired with fully adjustable slide blocks and slide track bushings, a feature that prolongs bushing lifecycle, reducing replacement costs, and maintaining the integrity of the slide track function.

Combined with a single cylinder per extension, kept in parallel with the chrome rods even when sloped, and enhanced slope plate design, the EZV's extension support system truly sets itself apart from the field in component lifecycle, mat quality, and elimination of flex at wide widths.

3 Adjustments

The hallmark that all Carlson highway-class screeds bear are the intuitive adjustment points that maintain their hold for exceptional mat quality. The EZV features a heavy duty, machined power crown assembly with pull pins for adjustment of lead crown on the fly. Combined with an exceptionally strong slope plate bolt pattern and slope stop that allows greater periods between adjustments, innovative deck cone leveling system, and tightly fitted adjustable strike-offs, the EZV delivers award winning mat quality while maintaining its adjustments over longer periods of time.

4 Crew Comfort

Creating a safer, more productive environment for crews, the EZV continues to set the standard for contractor focus. With its conveniently located integrated LED work lights for night paving, cup holders, 110v outlets for accessories, depth rods and holders, shovel holders, level holders, locking tool boxes and legendary Carlson oven*, the EZV creates a more ergonomic, comfortable and safer platform to help contractors perform at the highest level.

*Oven available on most North American tractor models.



Featuring fully adjustable slide block bushings and an extruded aluminum slide track frame the EZV delivers class-leading extension support and integrity for reduced component lifecycle costs and superior performance.



WIDE WIDTH ABILITY & SPECS



Achieving Superior Wide Width Ability

The exceptional strength and rigidity of the EZV's class-exclusive extension support system and heavy-duty extension bodies allow contractors to achieve flawless mat quality up to 26' (7.92m) without flex. For specialized projects or those that mandate use of a fixed width platform, the EZV utilizes a high strength bolt pattern on the main screed and leading fixed width bolt-on extensions to reach up to 30' (9.1m). Available with vibration and without, Carlson offers three fixed width bolt-ons to achieve any width.



STANDARD SHOE

Through use of a simple bolt system, the Carlson V3 Endgate enables easy change of endgate runners to suit the jobsite application. Standard on all Carlson screeds 2013 or newer, the V3 enhances crew safety, reduces downtime and increases productivity. The endgate comes with the Standard Shoe, and can be enhanced with an optional heat kit.



CARLSON SAFETY EDGE

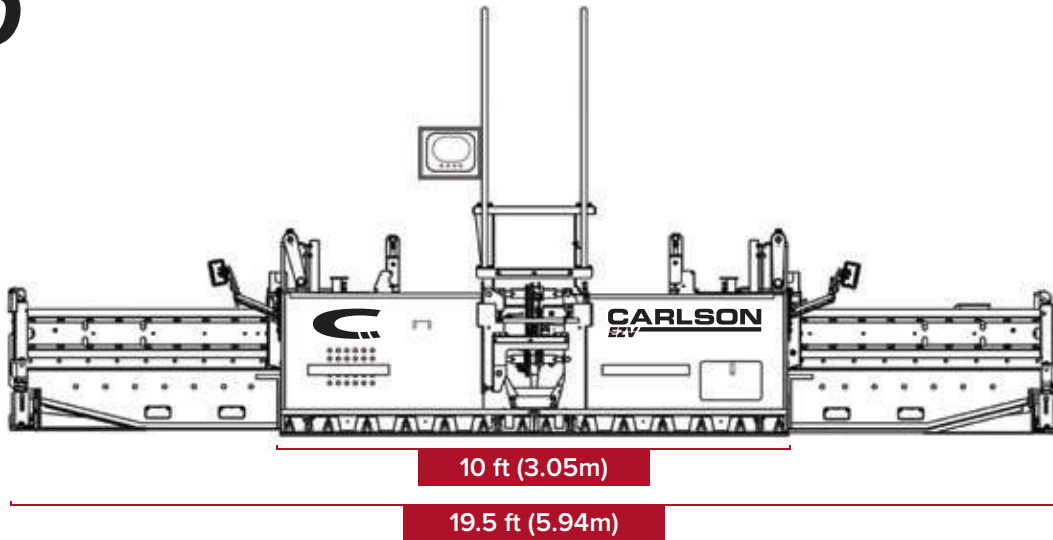
The industry leader in versatility, performance and ease of use, the patented Carlson Safety Edge is the contractor's choice for creating accurate, 30° extruded edges for safer, longer lasting roadways. Easily adjustable when approaching curbs and driveways, the attachment is the only endgate mounted Safety Edge builder approved by the FHWA.



SIDELOAD ATTACHMENT

Through use of state-of-the-art heating elements and simple, external adjustment points, the SideLoad Attachment gives operators up to four times edge compaction compared to a traditional endgate. The attachment can be paired with the 4" (102mm) High Density Bolt-on for enhancing longitudinal joint density figures.

EZV10



EZV10 SPECS

Standard Pave Width	10 ft-19.5 ft (3.05m-5.94m)
Wide Pave Width	25 ft (7.6m)
Vibration	0-3000vpm
Power Crown	2.5 in Crown/1.5 Invert (63.5mm/38.1mm)
Extension Slope	9%
Vertical Extension Height	Hydraulic

ADDITIONAL SPECS

Screed Weight	7,500 lbs (3402kg)
Main Screed Plate Taper	2% from center to outside edge
Power Outlets	4 Outlets
Power Output	120v @ 1200 watts while heating
Walkway Depth	20.5 in (521mm)
Optional Integrated Berm	12 in (305mm), 18 in (457mm)

LED BLADE LIGHT

With its standard LED work lights, the EZV can be paired with the Carlson LED Blade Light for enhanced safety and greater visibility during night projects. Able to be powered by AC or DC power sources, the LED Blade Light eliminates dangerous and distracting glare while the easy to adjust mounts allow light to be directed to where it is needed. Simply put, no other mobile equipment lighting platform matches the versatility, reliability or safety of the LED Blade Light.



SPECIFICATIONS

Power	110/240v AC 50/60Hz and 12/24v DC
Configurations	Single and Dual Head
Cool-Down Time	None
Lifespan	50,000 hours



01-1217

EZV



CARLSONPAVINGPRODUCTS.COM

Continually improving our products, Carlson reserves the right to amend materials and specifications without notice. Featured machines and photos may include optional or prototype equipment. 2017 Carlson.

