

E-series

4x4

Articulated Dump Trucks

B60E | B30E | Mk 3

Tier 4f Certified



- No tire scuff thus less tire and road surface da age
- Smaller turning circle than the associated 6x6 model
- Highly manoeuvrable in tight spaces
- Same payloads as 6x6 associated model

BELL

B60E All Wheel Drive



The Bell B60E offers our customers more tonnage than ever before, and at a related lower cost per ton.

It keeps all of the traditional Bell safety and productivity features while still offering off-road capability that non-ADT solutions cannot match.

Bell has a history of leading the ADT industry and offering our customers more in two distinct ways - through the innovations that we apply to our products and our principle that larger trucks give lower cost per ton. These two factors are ideally combined in the B60E to give a real value adding package.

The Bell B60E has been developed as a result of the Bell tradition of listening to our customers. They were looking for a machine that would perform better than conventional haulage solutions in slippery and undulating conditions, but didn't need the 'go anywhere' ability of a 3 axle 6x6 ADT.

In response Bell has filled this conspicuous gap in the market with the B60E crossover solution. The B60E has been enthusiastically received, giving productivity during adverse weather conditions when other machines are unable to operate, and also tolerating less site maintenance, which has large cost and hassle implications for many sites.



- By configuring the driveline to direct drive to all wheels, the Bell B60E can go places where conventional trucks cannot.
- In deep soft mud it won't necessarily match its 3 axle counterparts but it has proven itself to be a more than capable machine in challenging conditions.
- At 35m³ this is the largest ADT bin in the world today. You can carry more material and make more money, it's that simple.



- The oscillation joint is what makes an ADT. It keeps the wheels on the ground ensuring traction when driving over rough terrain. The B60E has inherited the oscillation joint of the B50E, which has been strengthened appropriately.

- Articulated steering between the front and rear chassis produces much tighter turning circles than a steered axle, and makes the B60E an ideal machine for tight sites.



B60E 4x4 Articulated Dump Truck

ENGINE

Manufacturer
Mercedes Benz (MTU)

Model
OM473LA (MTU 6R 1500)

Configuration
Inline 6, turbocharged and intercooled.

Gross Power
430 kW (577 hp) @ 1 700 rpm

Net Power
405 kW (543 hp) @ 1 700 rpm

Gross Torque
2 750 Nm (2 028 lbfft) @ 1 300 rpm

Displacement
15,6 litres (952 cu.in)

Auxiliary Brake
Jacobs Engine Brake®

Fuel Tank Capacity
494 litres (130 US gal)

AdBlue® Tank Capacity
40 litres (11 US gal)

Certification
OM473LA (MTU 6R 1500) meets EPA Tier 4 Final emissions regulations.

TRANSMISSION

Manufacturer
Allison

Model
4800 ORS

Configuration
Fully automatic planetary transmission

Layout
Engine mounted

Gear Layout
Constant meshing planetary gears, clutch operated

Gears
7 Forward, 1 Reverse

Clutch Type
Hydraulically operated multi-disc

Control Type
Electronic

Torque Control
Hydrodynamic with lock-up in all gears.

TRANSFER CASE

Manufacturer
Kessler

Series
W2400

Layout
Remote mounted

Gear Layout
Three in-line helical gears

Output Differential
Interaxle 29/71 proportional differential. Automatic inter-axle differential lock.

AXLES

Manufacturer
Front - Bell
Rear - Kessler

Model
Front: 30T
Rear: 71T

Differential
Front: High input controlled traction differential with spiral bevel gears

Rear: Centre input open differential with spiral bevel gears

Final Drive
Outboard heavy duty planetary on all axles.

BRAKING SYSTEM

Service Brake
Dual circuit, full hydraulic actuation wet disc brakes on front and rear axles. Wet brake oil is circulated through a filtration and cooling system.

Maximum brake force:
437 kN (98 242 lbf)

Park & Emergency
Spring applied, air released driveline mounted disc.

Maximum brake force:
379 kN (85 203 lbf)

Auxiliary Brake
Automatic Jacobs Engine Brake®. Automatic retardation through electronic activation of wet brake system.

Total Retardation Power
Continuous: 574 kW (770 hp)
Maximum: 983 kW (1 318 hp)

WHEELS

Type
Radial Earthmover

Tire
Front: 875/65 R29
Rear: Twin 24.00 R35

FRONT SUSPENSION

Semi-independent, leading A-frame supported by hydro-pneumatic suspension struts. Suspension is electronically controlled adaptive suspension with ride height adjustment.

REAR SUSPENSION

Trailing arm cradle supported by hydro-pneumatic suspension struts, with an additional lateral stabiliser.

HYDRAULIC SYSTEM

Full load sensing system serving the prioritized steering, body tipping, suspension and brake functions. A ground-driven, load sensing emergency steering pump is integrated into the main system.

Pump Type
Variable displacement load sensing piston

Flow
330 L/min (87 gal/min)

Pressure
250 bar (3 626 psi)

Filter
5 microns

STEERING SYSTEM

Double acting cylinders, with ground-driven emergency steering pump.

Lock to lock turns
4,9

Steering Angle
42°

DUMPING SYSTEM

Two double-acting, two stage telescopic, dump cylinders.

Raise Time
17 seconds

Lowering Time
18 seconds

Tipping Angle
55 deg standard, or any lower angle programmable

PNEUMATIC SYSTEM

Air drier with heater and integral unloader valve, serving park brake and auxiliary functions.

System Pressure
810 kPa (117 psi)

ELECTRICAL SYSTEM

Voltage
24 V

Battery Type
Two AGM (Absorption Glass Mat) type.

Battery Capacity
2 X 75 Ah

Alternator Rating
28V 80A

MAX. VEHICLE SPEED

1st	4 km/h	2,5 mph
2nd	8 km/h	5,6 mph
3rd	16 km/h	10,6 mph
4th	21 km/h	13,7 mph
5th	30 km/h	20 mph
6th	41 km/h	27 mph
7th	47 km/h	32 mph
R	6 km/h	4 mph

CAB

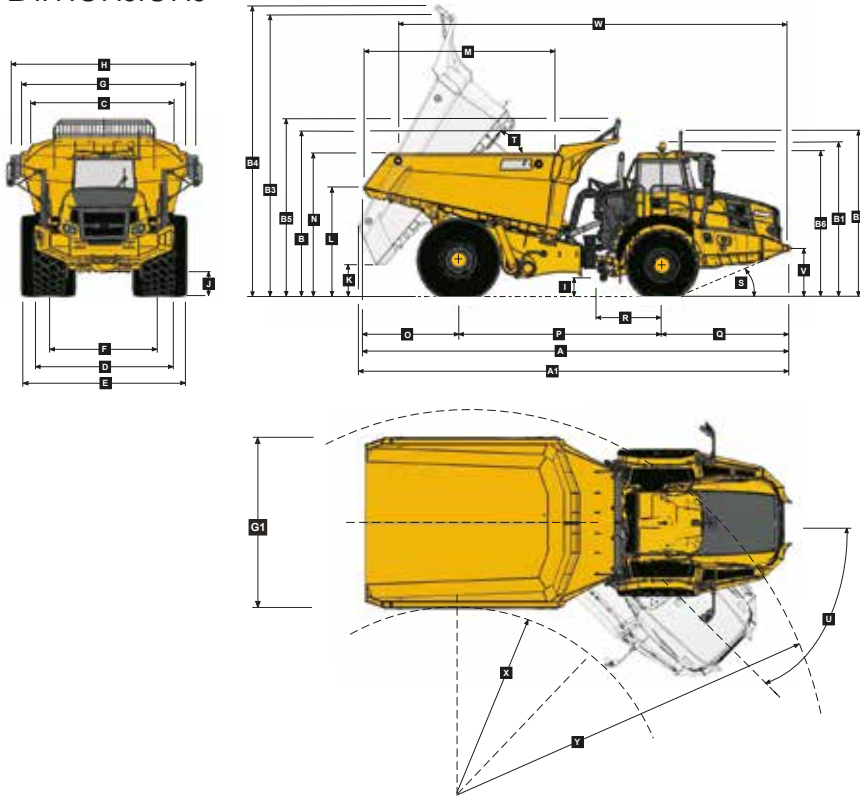
ROPS/FOPS certified 77 dBA internal sound level measured according to ISO 6396.

Load Capacity & Ground Pressure

OPERATING WEIGHTS		GROUND PRESSURE*		LOAD CAPACITY		OPTION WEIGHTS	
UNLADEN	kg (lb)	LADEN		BODY	m³ (yd³)	kg (lb)	
Front	20 211 (44 558)	(No sinkage/Total Contact Area Method)		Struck Capacity	27 (35,3)	Bin liner	1 116 (2 460)
Rear	22 265 (49 086)	875/65 R29	kPa (Psi)	SAE 2:1 Capacity	35 (45,8)	Tailgate	1 516 (3 342)
Total	42 476 (93 644)	Front	333 (48)	SAE 1:1 Capacity	42 (54,9)		
				SAE 2:1 Capacity with Tailgate	35,6 (46,6)		
		24.00 R35	kPa			EXTRA WHEELSET	
Front	26 811 (59 108)	Rear	469 (68)			875/65 R29	1 024 (2 258)
Rear	70 665 (155 768)			Rated Payload	55 000 kg	24.00 R35	1 240 (2 734)
Total	97 476 (214 898)				(121 254 lb)		

* Front ground pressure calculated with Michelin XAD65-1 tire. Rear ground pressure calculated with Michelin XDT B tire.

Dimensions

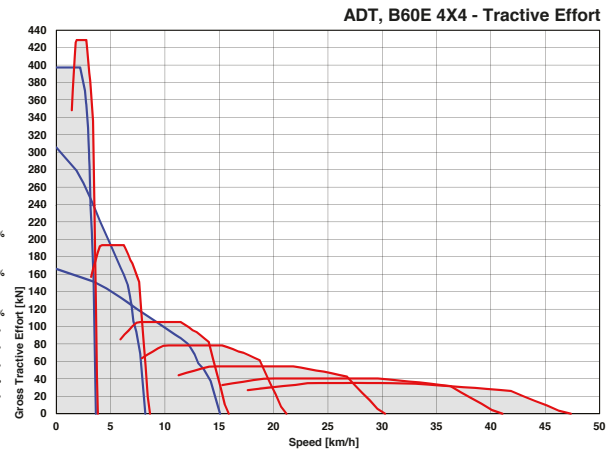
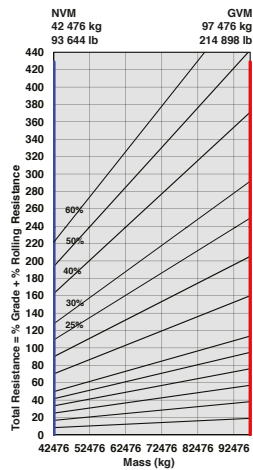


Machine Dimensions

A	Length - Transport Position	11 114 mm (36 ft. 6 in.)
A1	Length - Bin Fully Tipped	11 178 mm (36 ft. 8 in.)
B	Height - Transport Position w/o Rock Guard	4 209 mm (13 ft. 10 in.)
B	Height - Transport Position with Rock Guard	4 212 mm (13 ft. 10 in.)
B1	Height - Rotating Beacon	4 050 mm (13 ft. 3 in.)
B2	Height - Load Light	4 333 mm (14 ft. 2 in.)
B3	Bin Height - Fully Tipped w/o Rock Guard	7 476 mm (24 ft. 6 in.)
B4	Bin Height - Fully Tipped with Rock Guard	7 692 mm (25 ft. 3 in.)
B5	Height - Rock Guard Operating Position	4 675 mm (15 ft. 4 in.)
B6	Height - Cab	3 813 mm (12 ft. 6 in.)
C	Width over Mudguards	3 790 mm (12 ft. 5 in.)
D	Width over Tyres - Front - 875/65 R29	3 832 mm (12 ft. 7 in.)
E	Width over Tyres - Rear - 24.00R35	4 444 mm (14 ft. 7 in.)
F	Tyre Track Width - Front	2 949 mm (9 ft. 8 in.)
F	Tyre Track Width - Rear	2 992 mm (9 ft. 10 in.)
G	Width over Bin	4 487 mm (14 ft. 9 in.)
G1	Width over Tailgate	4 800 mm (15 ft. 9 in.)
H	Width over Mirrors - Operating Position	5 242 mm (17 ft. 2 in.)
I	Ground Clearance - Artic	561 mm (22.09 in.)
J	Ground Clearance - Front Axle	554 mm (21.81 in.)
K	Ground Clearance - Bin Fully Tipped	851 mm (33.5 in.)
L	Bin Lip Height - Transport Position	2 952 mm (9 ft. 8 in.)
M	Bin Length	5 036 mm (16 ft. 6 in.)
N	Load over Height	3 824 mm (12 ft. 7 in.)
O	Rear Axle Centre to Bin Rear	2 477 mm (8 ft. 2 in.)
P	Rear Axle Centre to Front Axle Centre	5 285 mm (17 ft. 4 in.)
Q	Front Axle Centre to Machine Front	3 352 mm (11 ft.)
R	Front Axle Centre to Artic Centre	1 558 mm (5 ft. 1 in.)
S	Approach Angle	22°
T	Maximum Bin Tip Angle	55°
U	Maximum Articulation Angle	42°
V	Front Tie Down Height	1 263 mm (4 ft. 2 in.)
W	Machine Lifting Centres	10 116 mm (33 ft. 2 in.)
X	Inner Turning Circle Radius	4 246 mm (13 ft. 11 in.)
Y	Outer Turning Circle Radius	9 216 mm (30 ft. 3 in.)

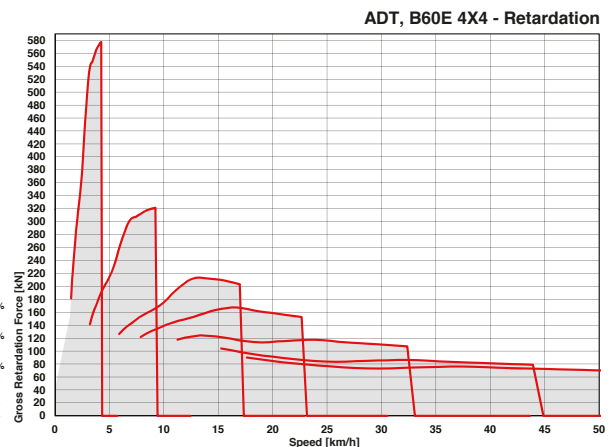
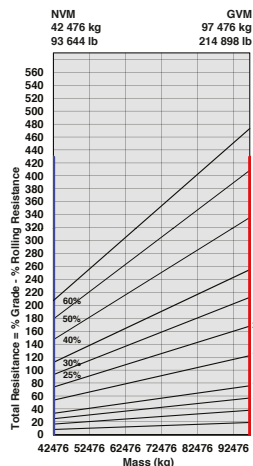
Grade Ability/Rimpull

1. Determine tractive resistance by finding intersection of vehicle mass line and grade line. NOTE: 2% typical rolling resistance is already assumed in chart and grade line.
2. From this intersection, move straight right across charts until line intersects rimpull curve.
3. Read down from this point to determine maximum speed attained at that tractive resistance.



Retardation

1. Determine retardation force required by finding intersection of vehicle mass line.
2. From this intersection, move straight right across charts until line intersects the curve. NOTE: 2% typical rolling resistance is already assumed in chart.
3. Read down from this point to determine maximum speed.



Welcome to the ...

BELL Family

“Power up and plug in to our end-to-end customer solutions!”

START

Through our living motto ‘**Strong Reliable Machines, Strong Reliable Support**’, we offer both exceptional equipment and aftermarket support products because we want your Bell ownership experience to be a happy one.



SETTING YOU UP FOR SUCCESS



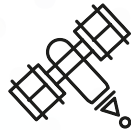
TRAINING



PROTECTING YOUR ASSETS



LUBECHECK



MAINTENANCE CONTRACT



EXTENDED WARRANTY



FLEETM@TIC®



KEEPING YOUR MACHINE RUNNING

LUBRICANTS

PARTS

SERVICE KITS

TECHNICAL SUPPORT

SPECIAL TOOLS

BELL OUTLETS

GIVING YOU EXTRA VALUE, LONGER LIFE



REMAN COMPONENTS



PRE-OWNED EQUIPMENT

SUPPORTING YOU EVERY STEP OF YOUR BELL OWNERSHIP EXPERIENCE

Smarter fleet management



Cutting edge technology, helping you run your fleet smarter. Providing accurate, up-to-date operational data, production data and diagnostic data.

The key to a productive and profitable fleet, lies in the ability to monitor and manage your machines and operators efficiently. Machine operational data is processed and compiled into useful production and performance statistics, accessible via the Bell Fleetm@tic® website. These reports are also automated and emailed directly to you. The two monitoring packages that we have available, are:

- **The Classic Package** supplies you with good enough information for you to have a very good understanding of how your machine is operating for each shift that it runs. This package comes standard with the machine for 5 years.
- **The Premium Package** is focused on customers who need to have extremely detailed information of the machine's operation. For this package we offer similar information to that of the Classic Package but for each individual laden - unladen cycle. In addition, live tracking is available on the Fleetm@tic® website on a per minute basis.

Fleetm@tic®:

- Maximize productivity
- Generate machine utilization reports
- Identify operator training requirements
- Pro-active maintenance planning
- Implement safety features
- Receive machine fault codes as well as suggested trouble shooting procedures
- Protect investments
- Receive real time geospatial data





B30E 4x4 Articulated Dump Truck

ENGINE

Manufacturer
Mercedes Benz

Model
OM936LA

Configuration
Inline 6, turbocharged and intercooled

Gross Power
260 kW (348 hp) @ 2 200 rpm

Net Power
250 kW (335 hp) @ 2 200 rpm

Gross Torque
1,400 Nm (1,032 lbft) @
1 150 -1 800 rpm

Displacement
7,7 litres (469 cu.in)

Auxiliary Brake
Jacobs Engine Brake®

Fuel Tank Capacity
302 litres (79.78 US gal)

AdBlue® Tank Capacity
31 litres (8.2 US gal)

Certification
OM936LA meets EPA Tier 4 Final emissions regulations.

TRANSMISSION

Manufacturer
Allison

Model
3400 ORS

Configuration
Fully automatic planetary transmission

Layout
Engine mounted

Gear Layout
Constant meshing planetary gears, clutch operated.

Gears
6 Forward, 1 Reverse

Clutch Type
Hydraulically operated multi-disc

Control Type
Electronic

Torque Control
Hydrodynamic with lock-up in all gears.

TRANSFER CASE

Manufacturer
Kessler

Series
W1400

Layout
Remote mounted

Gear Layout
Three in-line helical gears

Output Differential
Interaxle 33/67 proportional differential. Automatic inter-axle differential lock.

AXLES

Manufacturer
Bell

Model
Front: Bell 18T
Rear: Bell 36T

Front Differential
High input limited slip differential with spiral bevel gears.

Final Drive
Outboard heavy duty planetary on all axles.

BRAKING SYSTEM

Service Brake
Dual circuit, full hydraulic actuation wet disc brakes on front and rear axles. Wet brake oil is circulated through a filtration and cooling system.

Maximum brake force:
284 kN (63 859 lbf)

Park & Emergency
Spring applied, air released driveline mounted disc.

Maximum brake force:
396 kN (89 000 lbf)

Auxiliary Brake

Automatic Jacobs Engine Brake®, Automatic retardation through electronic activation of wet brake system.

Total Retardation Power
Continuous: 318 kW (426 hp)
Maximum: 588 kW (788 hp)

WHEELS

Type
Radial Earthmover

Tire
Front: 23.5 R25
Rear: 875/65 R29

FRONT SUSPENSION

Semi-independent, leading A-frame supported by hydro-pneumatic suspension struts.

Optional: Adaptive Comfort Ride suspension.

HYDRAULIC SYSTEM

Full load sensing system serving the prioritized steering, body tipping and brake functions. A ground-driven, load sensing emergency steering pump is integrated into the main system.

Pump Type
Variable displacement load sensing piston

Flow
165 l/min (44 gal/min)

Pressure
28 MPa (4 061 psi)

Filter
5 microns

STEERING SYSTEM

Double acting cylinders, with ground-driven emergency steering pump.

Lock to lock turns
4,1

Steering Angle
45°

DUMPING SYSTEM

Two double-acting, single stage, dump cylinders.

Raise Time
12 s

Lowering Time
6 s

Tipping Angle
70° standard, or any lower angle programmable.

PNEUMATIC SYSTEM

Air drier with heater and integral unloader valve, serving park brake and auxiliary functions.

System Pressure
810 kPa (117 psi)

ELECTRICAL SYSTEM

Voltage
24 V

Battery Type
Two AGM (Absorption Glass Mat) type.

Battery Capacity
2 X 75 Ah

Alternator Rating
28V 80A

VEHICLE SPEEDS

1st	7 km/h	4 mph
2nd	12 km/h	8 mph
3rd	19 km/h	12 mph
4th	27 km/h	17 mph
5th	39 km/h	24 mph
6th	45 km/h	28 mph
R	7 km/h	4 mph

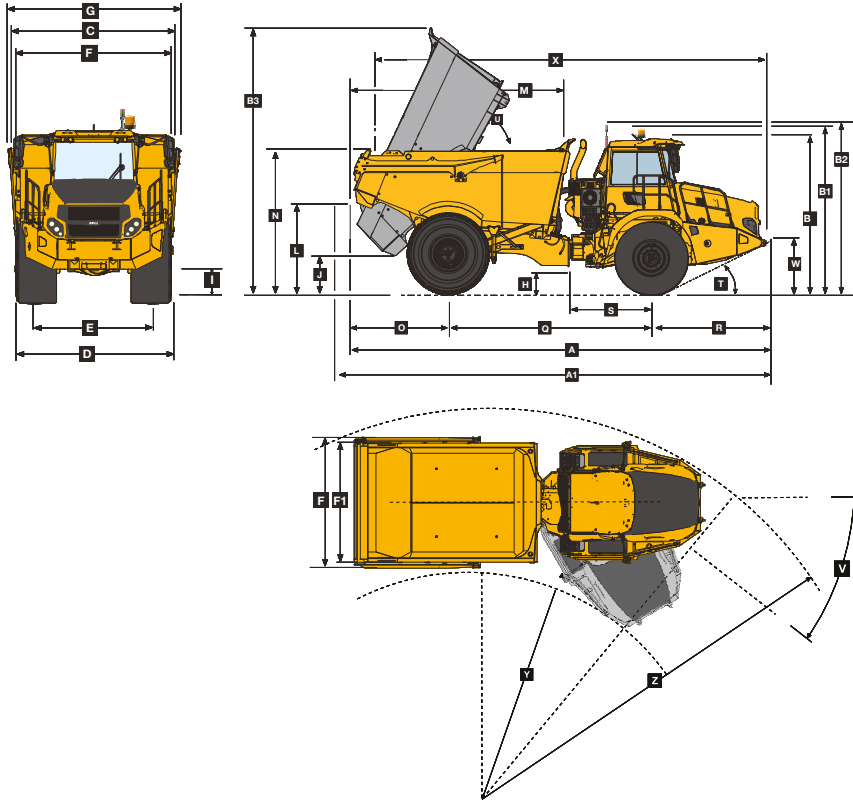
CAB

ROPS/FOPS certified 72 dBA internal sound level measured according to ISO 6396.

Load Capacity & Ground Pressure

OPERATING WEIGHTS		GROUND PRESSURE		LOAD CAPACITY		OPTION WEIGHTS	
UNLADEN	kg (lb)	LADEN-No Sinkage		BODY	m³ (yd³)	kg (lb)	
Front	10 453 (23 045)	23.5 R 25	kPa (Psi)	Struck Capacity	15 (19,5)	Extra wheelset:	
Rear	11 064 (24 392)			SAE 2:1 Capacity	18,5 (24)	23.5 R25	565 (1 246)
Total	21 517 (47 437)	875/65 R 29	kPa (Psi)	SAE 1:1 Capacity	21 (27,5)	875/65 R29	1 024 (2 258)
LADEN		Rear	467 (67)	Rated Payload	28 000 kg		
Front	12 819 (28 261)				(61 729 lbs)		
Rear	36 698 (80 905)						
Total	49 517 (109 166)						

Dimensions

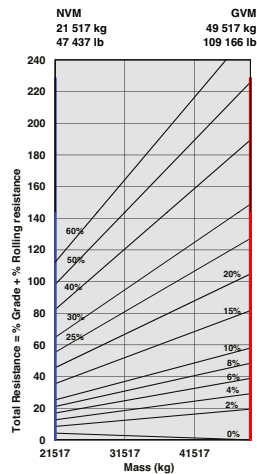


Machine Dimensions

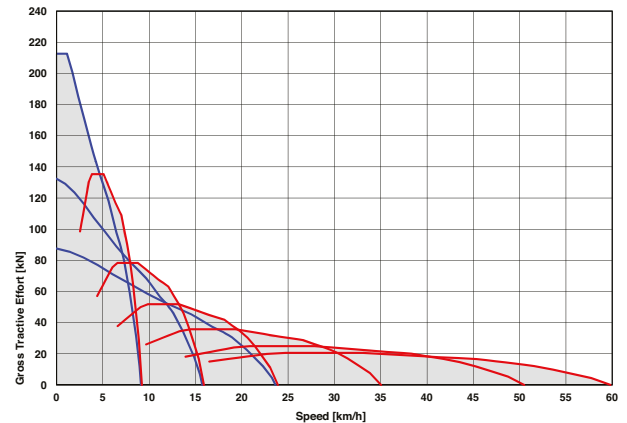
A	Length - Transport Position	9 193 mm (30.16 ft.)
A1	Length - Bin Fully Tipped	9 675 mm (31.74 ft.)
B	Height - Transport Position	3 426 mm (11.24 ft.)
B1	Height - Rotating Beacon	3 661 mm (12.01 ft.)
B2	Height - Load Light	3 747 mm (12.29 ft.)
B3	Bin Height - Fully Tipped	5 397 mm (17.7 ft.)
C	Width over Mudguards	2 985 mm (9.79 ft.)
D	Width over Tyres - 23.5 R25	2 940 mm (9.64 ft.)
D1	Width over Tyres - 875/65 R29	3 270 mm (10.72 ft.)
E	Tyre Track Width - 23.5 R25	2 356 mm (7.72 ft.)
E1	Tyre Track Width - 875/65 R29	2 385 mm (7.82 ft.)
F	Width over Bin	3 140 mm (10.3 ft.)
F1	Width over Tailgate	3 453 mm (11.32 ft.)
G	Width over Mirrors - Operating Position	3 260 mm (10.69 ft.)
H	Ground Clearance - Artic	537 mm (1.76 ft.)
I	Ground Clearance - Front Axle	488 mm (1.6 ft.)
J	Ground Clearance - Bin Fully Tipped	374 mm (1.22 ft.)
L	Bin Lip Height - Transport Position	2 310 mm (7.57 ft.)
M	Bin Length	4 425 mm (14.51 ft.)
N	Load over Height	3 150 mm (10.33 ft.)
O	Rear Axle Centre to Bin Rear	2 093 mm (6.86 ft.)
Q	Rear Axle Centre to Front Axle Centre	4 565 mm (14.97 ft.)
R	Front Axle Centre to Machine Front	2 602 mm (8.53 ft.)
S	Front Axle Centre to Artic Centre	1 362 mm (4.46 ft.)
T	Approach Angle	25 °
U	Maximum Bin Tip Angle	70 °
V	Maximum Articulation Angle	45 °
W	Front Tie Down Height	1 075 mm (3.52 ft.)
X	Machine Lifting Centres	7 968 mm (26.14 ft.)
Y	Inner Turning Circle Radius - 23.5 R25	3 526 mm (11.56 ft.)
Z	Outer Turning Circle Radius - 23.5 R25	7 316 mm (24 ft.)

Grade Ability/Rimpull

1. Determine tractive resistance by finding intersection of vehicle mass line and grade line. NOTE: 2% typical rolling resistance is already assumed in chart and grade line.
2. From this intersection, move straight right across charts until line intersects rimpull curve.
3. Read down from this point to determine maximum speed attained at that tractive resistance.

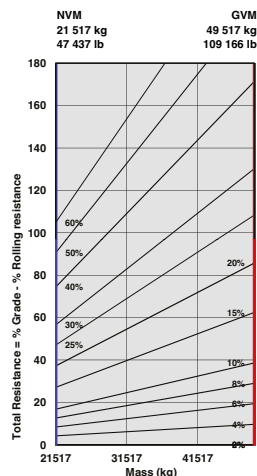


ADT, B30E 4x4 Tractive Effort

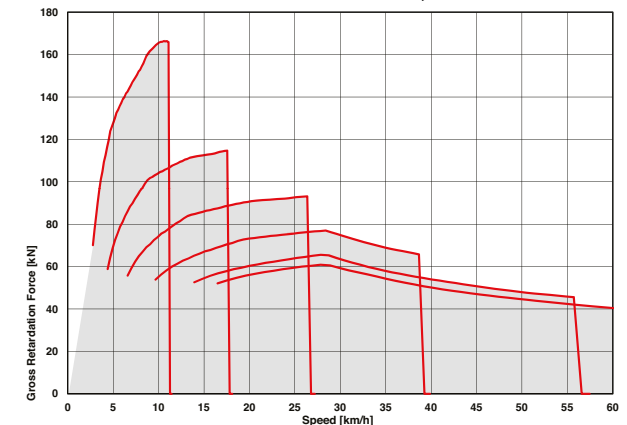


Retardation

1. Determine retardation force required by finding intersection of vehicle mass line.
2. From this intersection, move straight right across charts until line intersects the curve. NOTE: 2% typical rolling resistance is already assumed in chart.
3. Read down from this point to determine maximum speed.



ADT, B30E 4x4 Retardation



B30E 4x4	B60E 4x4	
ENGINE		
●	●	Engine valve brake
●	●	Dual element air cleaner with dust ejector valve
●	●	Pre-cleaner with automatic dust scavenging
●	●	Water separator
●	●	Serpentine drive belt with automatic tensioner
●	●	Provision for fast fill
	●	Wet-sleeve cylinder liners
COOLING		
●	●	Crankshaft mounted electronically controlled viscous fan drive
●	●	Fan guard
PNEUMATIC SYSTEM		
●	●	Engine-mounted compressor
●	●	Air drier with heater
●	●	Integral unloader valve
ELECTRICAL SYSTEM		
●	●	Battery disconnect
●	●	Halogen drive lights
	●	LED drive lights
●	●	Air horn
●	●	Reverse alarm
▲	▲	White noise reverse alarm
●	●	Rotating beacon
●	●	Rear flashing lights
●	●	Pitch roll sensor
▲	●	LED artic reverse light
●	●	Halogen artic reverse lights
●	●	LED reverse lights
STEERING SYSTEM		
●	●	Bi-directional ground-driven secondary steering pump
CAB		
●	●	ROPS/FOPS certification
●	●	Tilt cab
●	●	Gas strut-supported door
●	●	I-Tip programmable dump-body tip settings
●	●	HVAC climate control system
●	●	AM/FM radio with Aux + USB
●	●	Rear window guard
●	●	Wiper/washer with intermittent control
●	●	Tilt and telescoping steering wheel
●	●	Center-mount air-suspension seat
●	●	Halogen work lights
▲	●	LED work lights
▲	▲	Rotating beacon: seat belt installation
▲	▲	Remote engine and machine isolation
●	●	Remote battery jump start
●	●	Retractable 3 point seat belt
●	●	Heated seat
●	●	Foldaway trainer seat with retractable seat belt
●	●	12-volt power outlet
●	●	Cab utility bin (removable)
●	●	Cup holder

B30E 4x4	B60E 4x4	
CAB (continued)		
●	●	Cooled/heated lunch box
●	●	Manually adjusted mirrors
	▲	Heated mirrors
●	●	Electric adjustable and heated mirrors
●	●	Deluxe 10" color LCD: Speedometer / Fuel gauge / Transmission oil temperature gauge / Engine coolant temperature gauge / LED function/warning indicators and audible alarm / Transmission gear selection / Tachometer / Battery voltage / Hour meter / Odometer / Fuel consumption / Tip counter / Trip timer / Trip distance / Metric/English units / Service codes/diagnostics
●	●	Backlit sealed switch module functions with: Wiper control / Lights / Heated mirrors / Retarding aggressiveness / Transfer case differential lock / Transmission gear hold / Dump-body tip limit / Automatic dump-body tip settings / Air conditioner/ Heater controls / Preselected Speed Control
DUMP BODY		
●	●	Dump body mechanical locks (x2). Partially up and fully up
▲	▲	Body liner (Partial for B60E)
▲	▲	Tailgate
▲	▲	Body heater
▲	▲	Less dump body and cylinders
	▲	Bin pole lockout
	▲	Rear wheel mudguards
OTHER		
●	●	Automatic Traction Control (ATC)
●	●	Wet disc brakes
●	●	Automatic greasing
●	●	Onboard weighing
●	●	Load lights: stack
▲	●	Comfort ride suspension (Front)
▲	●	Comfort ride suspension (Rear)
●	●	Reverse camera
●	●	Hand rails
●	●	Cab peak
●	●	High pressure hydraulic filter
▲	▲	Fuel heater
●	●	Belly cover
●	●	Cross member cover
▲	●	Remote transmission filters
●	●	Engine and transmission remote drain-gravity
▲	▲	Engine and transmission remote drain-scavenge
▲	▲	Window smash button
●	●	High visibility mirrors
●	●	Fleetm@tic® Classic Package for 5 years
●	●	Electronic hood opening



All dimensions are shown in millimeters, unless otherwise stated between brackets. Under our policy of continuous improvement, we reserve the right to change technical data and design without prior notice. Photographs featured in this brochure may include optional equipment. Blu@dvantage™ is a trademark of Bell Equipment Co. (PTY) Ltd AdBlue® is a registered trademark of VDA

BELL INTERNATIONAL: Tel: +27 (0)35-907 9431

E-mail: marketing@bellequipment.com

Web: www.bellequipment.com



Tel: +61 (0)8-9355-2442



Tel: +49 (0)6631 / 91-13-0



Tel: +27 (0)11-928-9700



Tel: +44 (0)1283-712862



Tel: +33 (0)5-55-89-23-56



Tel: +7-495-287-80-02



Tel: (704) 655-2802

**Strong Reliable Machines
Strong Reliable Support**

BELL